

# JF990

DIESEL BI-ENERGY



Lifting capacity

21000 kg



Max tip height

40,0 m



Dimensions (l x w x h)

L x W x H

6750 x 2140 x 3440 mm



Powered by

Bi-Energy

Diesel + Electric Power Pack



Weight

20500 + 3000 + 2000 kg



EN [m - kg]



# FEATURES



## 3 BOOM ARTICULATIONS

- Higher boom versatility
- Pass-over obstacles
- Negative angle operation

## HIGH PERFORMANCES

- 21 ton main boom lifting capacity
- 5,4 ton lifting capacity with jib
- 22 m main boom height

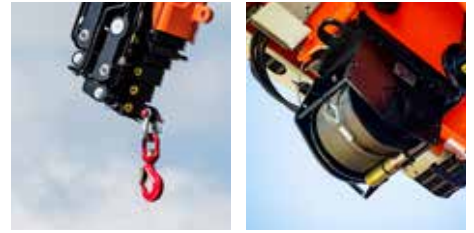
### VERSATILE STABILITY CONFIGURATIONS

- Stepless outriggers rotation 0°/45°
- Stepless telescopic outriggers extension
- Adjustable outriggers height
- Asymmetric configuration
- Self-levelling



### ENDLESS CRANE CONFIGURATIONS

- **Hook** - 21000 kg capacity
- **Winch**
  - 3000 kg capacity single fall / 9000 kg 3 falls
  - 60 m rope
- **Hydraulic jib** - 5400 kg capacity
  - Hook or winch mode
  - 12,5 m length fully extended
  - Hydraulic lines for tools
- **Independent hydraulic tools** - Easy connection for any tool



### INTUITIVE USER INTERFACE

- **Radio control**
  - Optimized usability
  - Improved layout
- **Intuitive display**: IP66 heavy duty
  - Live stability area
  - Self-diagnostics & troubleshooting



### DIESEL BI-ENERGY POWERED

- **Diesel engine**: 55,4 kW Kubota
  - Variable Speed Engine Management: low consumption, low noise, faster crane movements
  - DPF filter with automatic management
- **Electric Power Pack \***
  - On board motor: 100% electric operation
  - Emission-free and noise-free indoor operation
  - Threephase motors for every Country



### MAN BASKET

- Up to 34,7 m height
- Single or two people
- Self-levelling, rotation and height adjustment
- Aluminium, steel or fiberglass
- EN280 certified



### J-LINK POWERED BY TRACKUNIT\*

- Remote fleet monitoring and diagnostics
- Built-in or retrofit on existing units

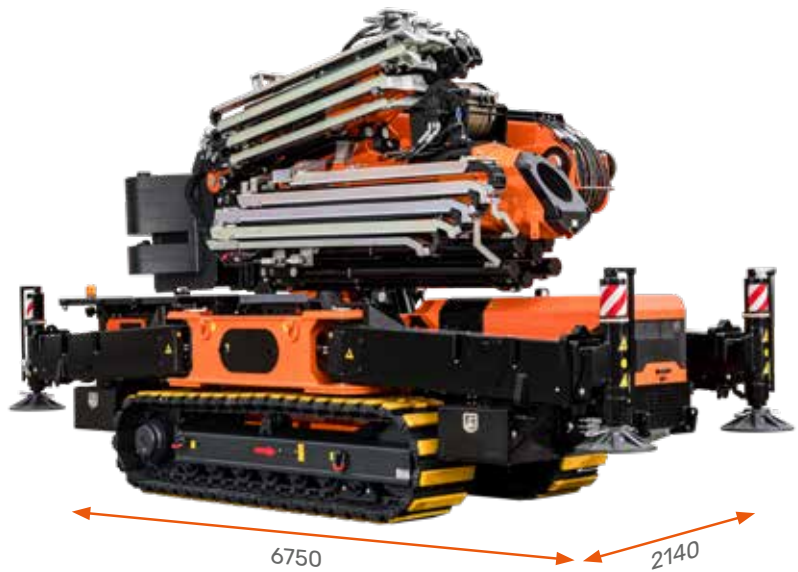




## SELF REMOVABLE COUNTERWEIGHT

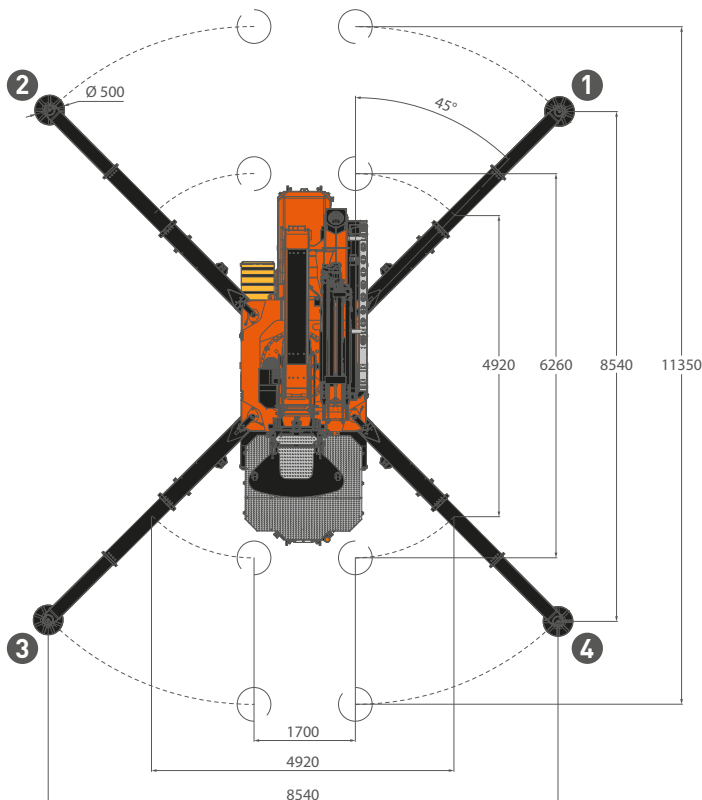
- 2 modules: 3 + 2 tons
- Easy crane transport

## EASY TRANSPORT



**DIMENSIONS** (mm)

**STABILITY AREA** (mm)

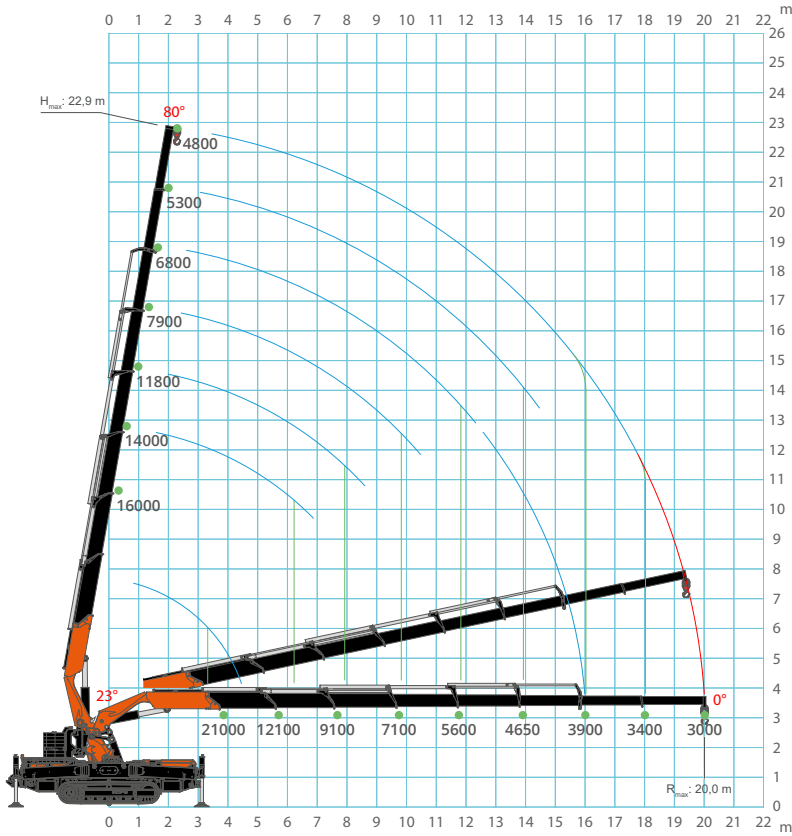


## COMPACT FOOTPRINT

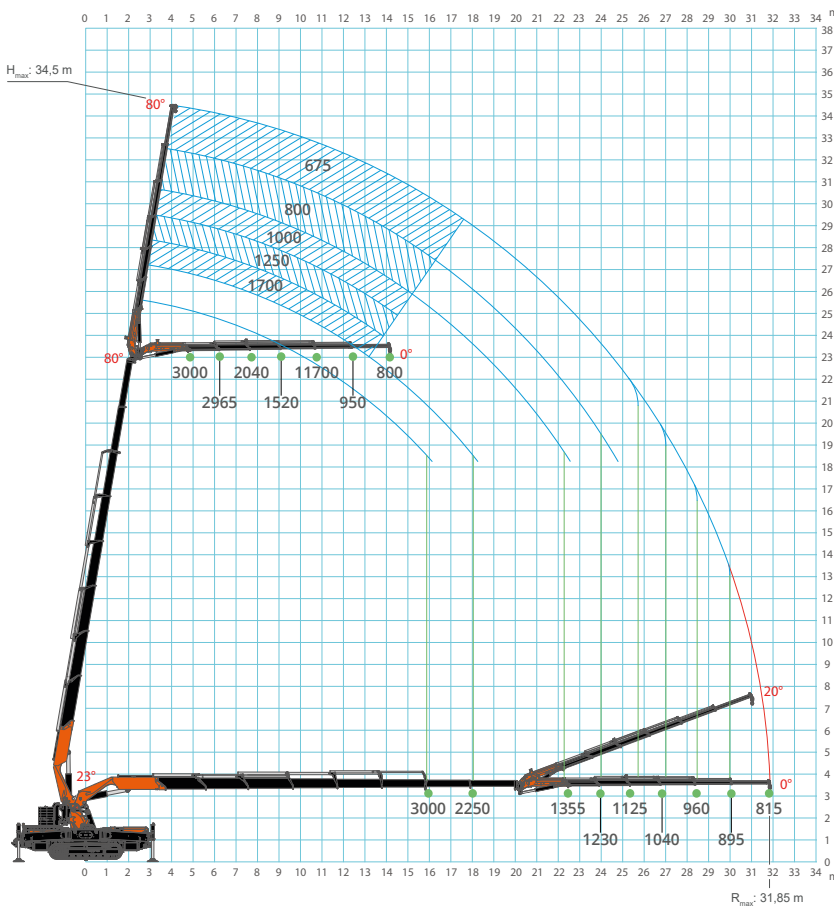


# LOAD CHARTS

Main Boom



Hydraulic Jib



# TOOLS AVAILABLE

## HYDRAULIC JIB 5400 kg SWL



## MAN BASKET 1 or 2 people



## GLASS MANIPULATOR 800 kg SWL - JVM800R



## SEARCHER HOOK 16000 kg SWL



## MECHANICAL EXTENSIONS



**JF990**  
DIESEL BI-ENERGY

Jekko s.r.l. • [info@jekko.it](mailto:info@jekko.it) • [www.jekko-cranes.com](http://www.jekko-cranes.com)

Specifications are subject to change without notice.

All data provided is for reference purposes only and is not legally binding.