

JIB1000GR

2IN1 BEAM & PIPE MANIPULATOR



Lifting capacity

1000 kg



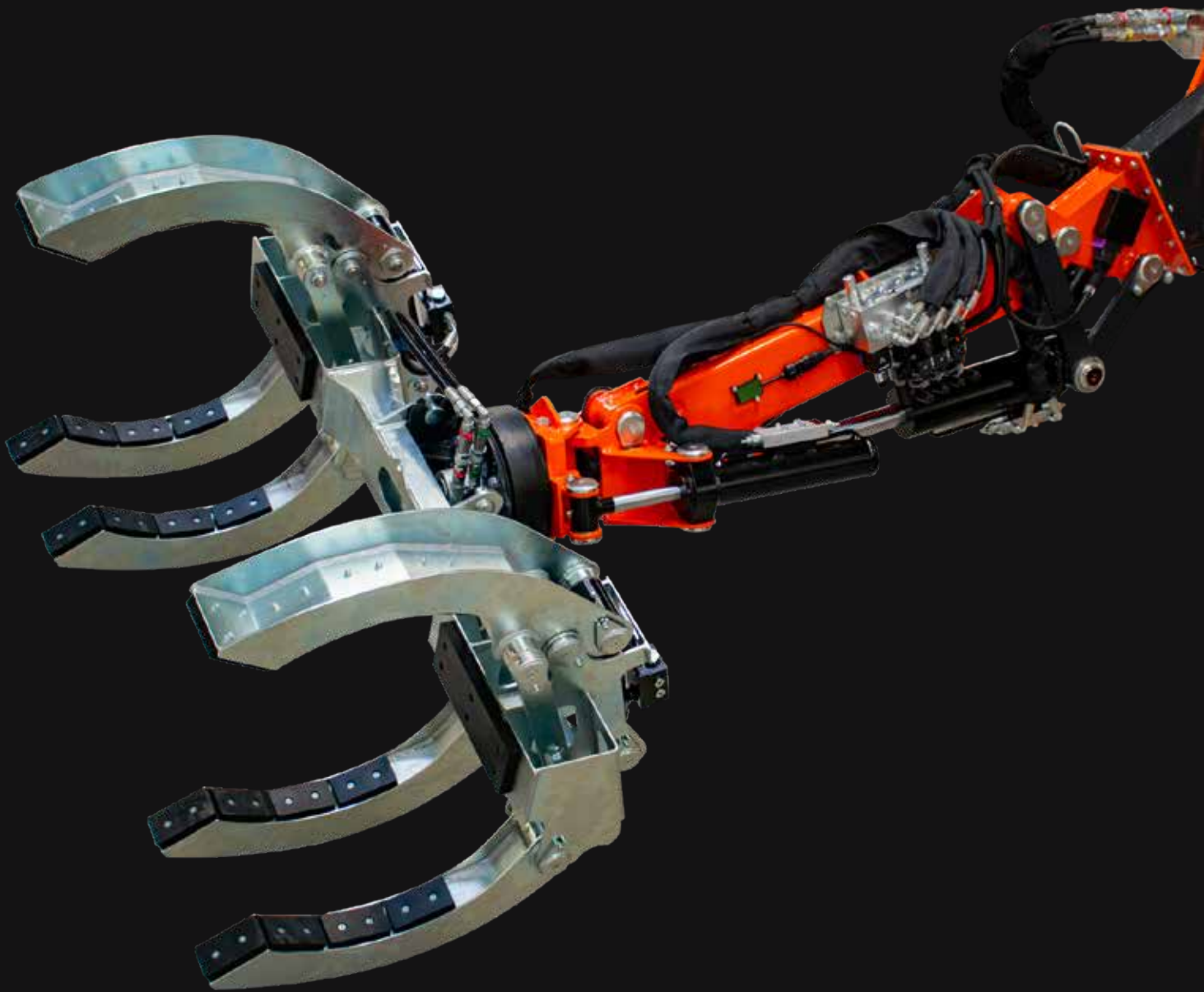
Activation

Hydraulic



Weight

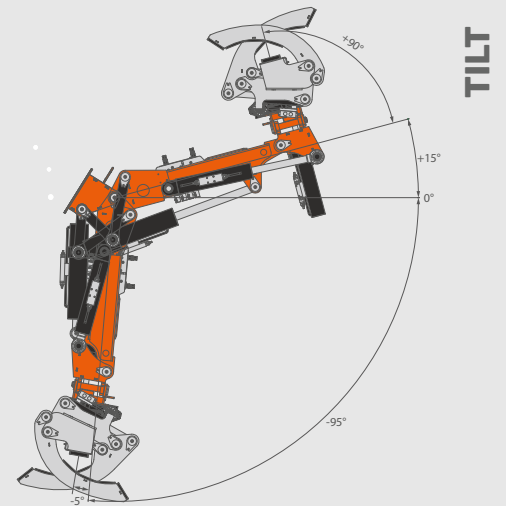
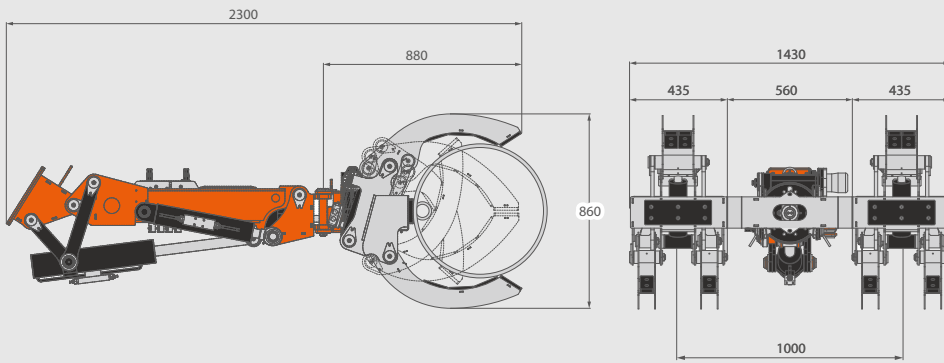
340 kg



EN [m - kg]

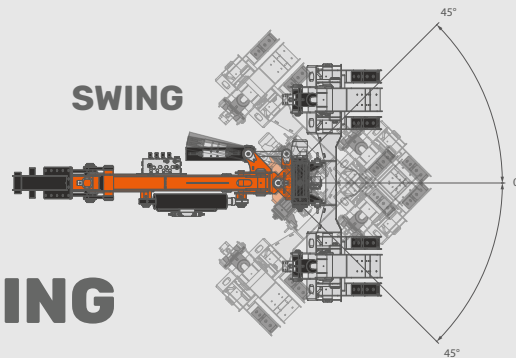
DIMENSIONS_(mm)

MOVEMENTS

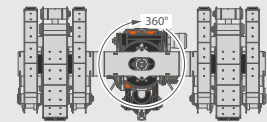


TILT

1000KG LIFTING CAPACITY



SWING



ROTATION

2IN1 TOOL FOR BEAMS & PIPES

- 2 in 1 clamp: universal for any lifting
- Fits any beam type: IPE, HEA, HEB and similar
- Fits any pipe size: 100-500 mm
- No time lost replacing the clamp



WIDE MOVEMENTS RANGE

- 360° continuous rotation
- Wide swing: +45° / -45°
- Wide tilt with double articulation: 110°



PLUG & PLAY

- Completely hydraulic
- Fully integrated with the crane
- Controlled by crane radio control



FLEXIBLE

- Fits to all SPX minicranes



JIB1000GR
2IN1 BEAM & PIPE MANIPULATOR

Jekko s.r.l. • info@jekko.it • www.jekko-cranes.com

Specifications are subject to change without notice.

All data provided is for reference purposes only and is not legally binding.