

SPX650

LI-ION BATTERY



Lifting capacity

5000 kg



Max tip height

23,6 m



Dimensions (l x w x h)

L x W x H

4475 x 980 x 2020 mm



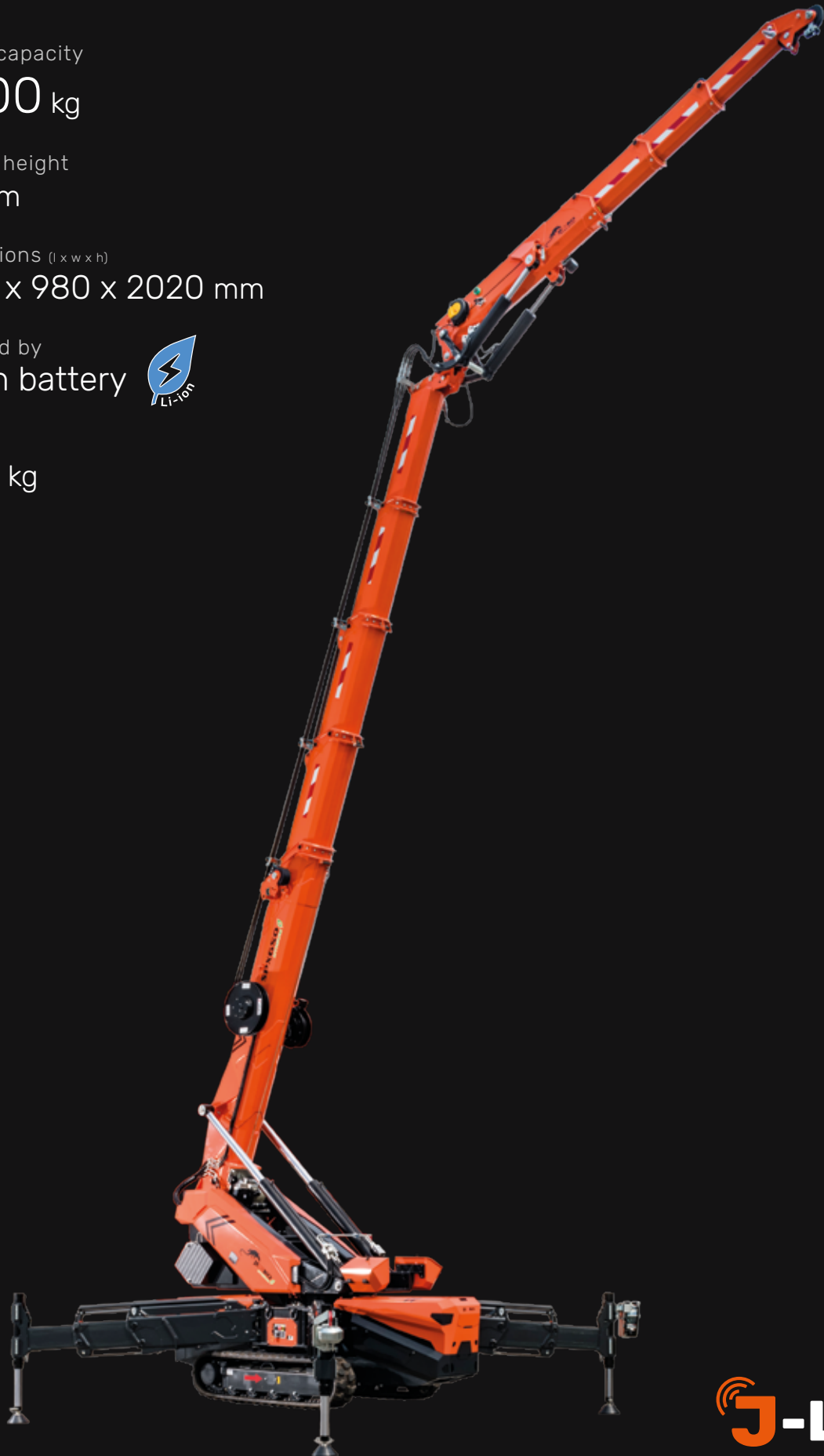
Powered by

Li-ion battery



Weight

5900 kg



EN [m - kg]



FEATURES



STRENGTH AND PRECISION

- Unmached structure design
- Engineered to maximise stiffness and load stability
- Dynamic load sway control for accurate load handling
- Automatic speed adjustment to ensure smooth and precise maneuvers
- Automatic movement limitation to maximise safety

LI-ION BATTERY POWERED

- Indoor operation, emission free
- Maintenance free
- Runtime over 1 workday
- On board 110/230V charger: 0-80% in 5h 30' (110V: 7h 30')
- External 400V fast charger: 0-80% in 2h 15'
- Adjustable charging current
- Work while charging



ENDLESS CRANE CONFIGURATIONS

- Hook** - Fast hook/winch switch
- Winch**: 80 m rope
- 800 kg capacity single fall / 4800 kg 6 falls
- Hook block stowing
- Hydraulic jib** - 1200 kg SWL
- Hook or winch
- +15/-80° angle, up to 6,0 m length
- Unique self-installation system
- Tools**: Plug&Play connection



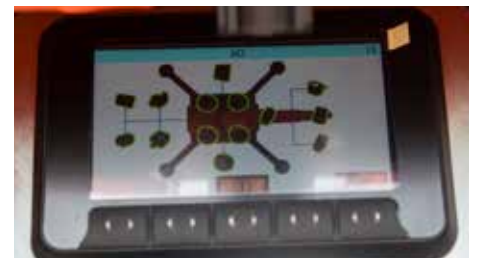
PICK & CARRY

- Up to 800 kg lifting capacity
- 360° turrett rotation
- Extendable crawler for improved driving



SAFETY SYSTEMS

- Full LMI system
- Anti crash system
- Feedback on display



J-LINK POWERED BY TRACKUNIT*

- Remote fleet monitoring and diagnostics
- Built-in or retrofit on existing units



*Optional



WIDE STABILITY SOLUTIONS

- Optimal lifting capacity/footprint ratio
- Stepless outriggers rotation 0°/70°
- Stepless telescopic outriggers extension
- Adjustable outriggers height
- Self-levelling

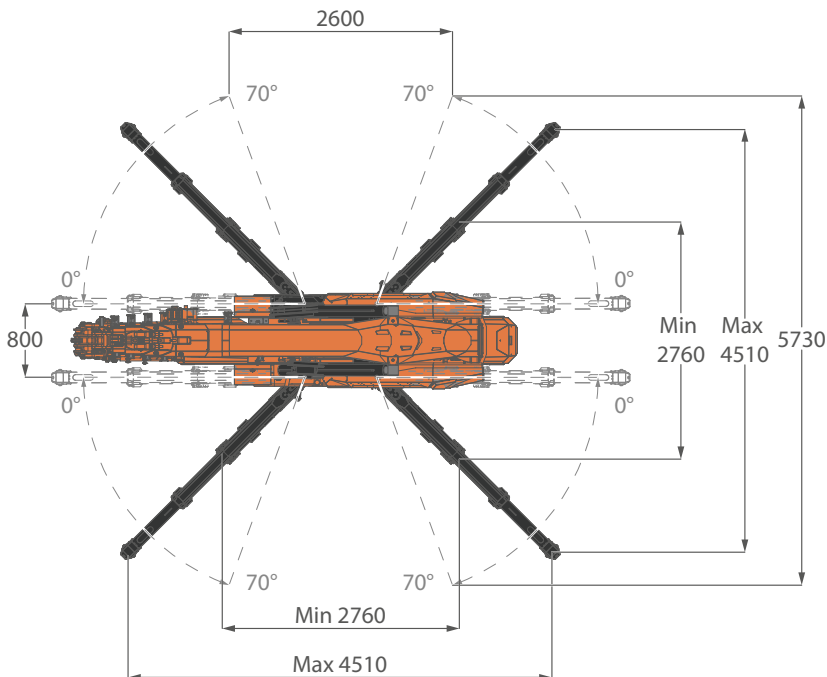
EASY TRANSPORT

- Precise and easy to drive
- Non-marking white tracks for indoor*



DIMENSIONS (mm)

STABILITY AREA (mm)

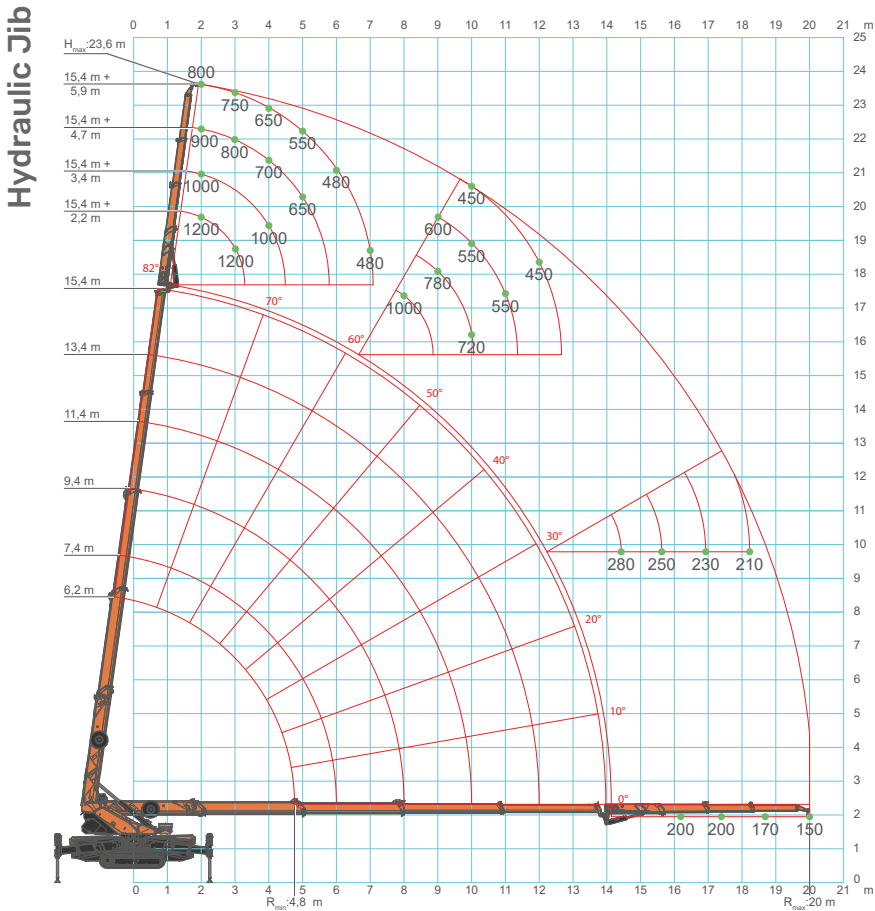
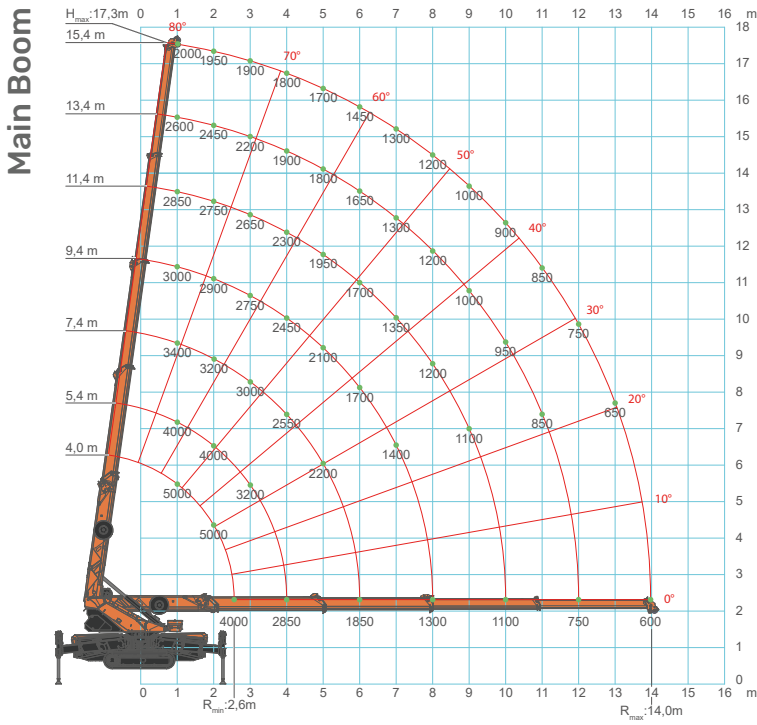


COMPACT FOOTPRINT

- Infinite outriggers configurations
- Self-levelling



LOAD CHARTS



TOOLS AVAILABLE

HYDRAULIC JIB 1200 kg SWL



SEARCHER HOOK 2000 kg SWL



BEAM/PIPE MANIPULATOR 500 kg SWL - JIB500GR



GLASS MANIPULATOR 800 kg SWL - JVM800R



SPX650
LI-ION BATTERY

Jekko s.r.l. • info@jekko.it • www.jekko-cranes.com

Specifications are subject to change without notice.

All data provided is for reference purposes only and is not legally binding.