



Technical Data
Specifications & Capacities

JCX80
DRAFT

Traslantion of the original instructions

[m] [kg]

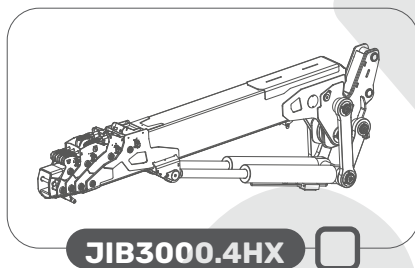
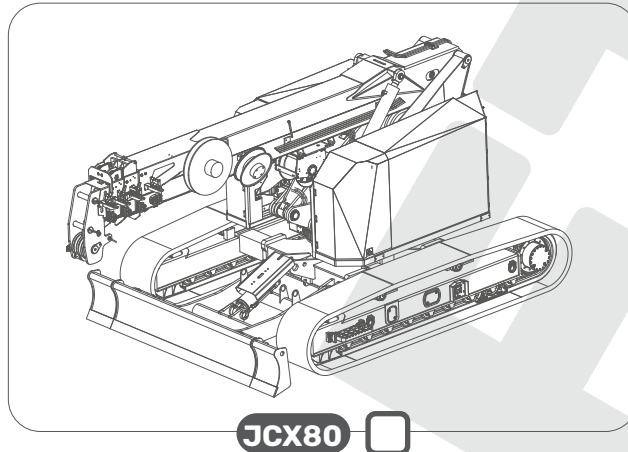
14.03.2025 | DFT0.0

CE
EN 13000:2014

INDEX

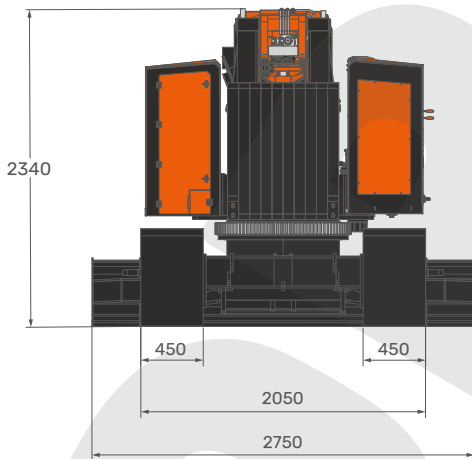
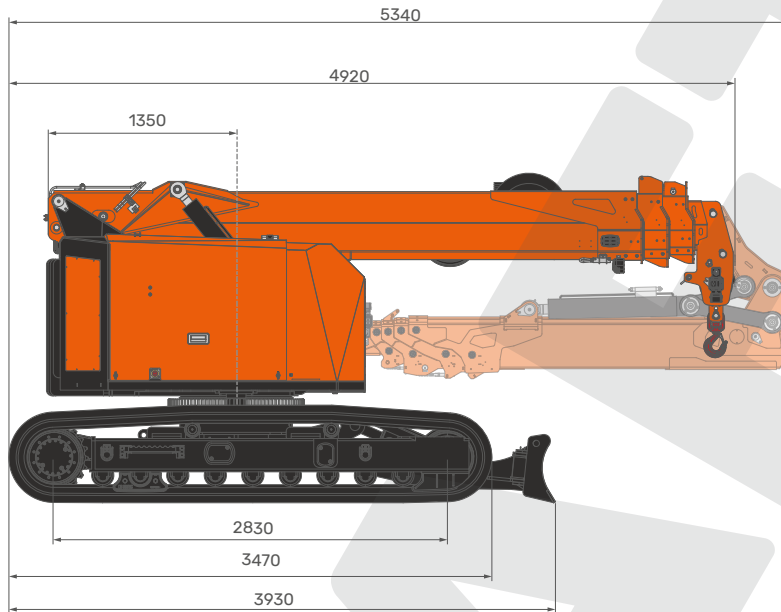
Index	2
Crane configuration	3
Overall dimensions	4
Overall Informations.....	5
Winch	8
Hookblock.....	9
Winch rope maximum reach.....	10
Load chart selection	11
Stability examples	12
Main boom diagram	13
Pass-over mode load chart	15
JIB3000.4HX load chart.....	17
Pass-over mode load chart.....	19
Tower mode load chart.....	21
JIB3000.4HX features	23
Symbols	24

CRANE CONFIGURATION

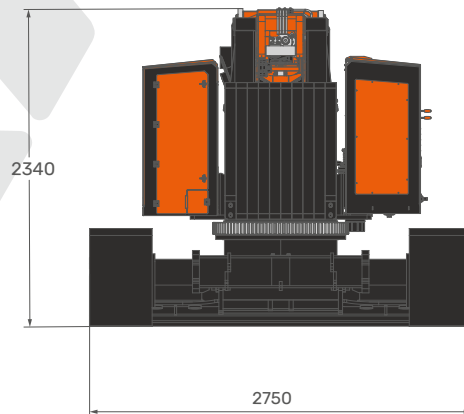


DRAFT

OVERALL DIMENSIONS



CLOSED TRACKS



EXTENDED TRACKS


OVERALL INFORMATIONS




CRANE INFO

-
-
-
-
-
-
-
-
-
-

	DESCRIPTION	U.M.	VALUE
OVERALL DIMENSIONS	Height		2.340
	Length	mm	4.920
	Width		2.750
BOOM	Length	m	4,8/14,4
	Speed	s	-
SLEWING	Angle	°	360°
	Speed	rpm	-
LIFTING	Working Angle	°	0/80°
	Speed	s	-
MAX CAPACITY		kg	8.000
TRACK LOAD		kg/cm ²	0,69
TRAVEL SPEED	Slow	km/h	-
	Fast		-
MAX GRADEABILITY		°	-
WORKING TEMPERATURE		°C	-10°/+40°
MAX WIND SPEED IN WORKING CONDITIONS		m/s	13,8
Lifting Class (UNI 4301-1)			A1

DRAFT

WEIGHT		CRANE	Standard Configuration	kg	8.700 ^{[1][2]}
		COUNTERWEIGHT	Optional	kg	2.000
		HOOKBLOCK	2 ton single line hook		42
			1 sheave hookblock	kg	35
		3 sheaves hookblock		109	

ACCESSORIES		JIB	JIB3000.4HX	kg	1.000	
			WINCH	Winch	kg	130
			HYDRAULIC ACTIVATION	HA-JCX80		40
		HA-JIB3000.4HX		kg	20	
			WINTER KIT	WUK	kg	3

^[1]: Dry Weight

^[2]: Estimated fluids weight = 150 kg

MOTOR		ELECTRIC MOTORIZATION	Power	Motor 1	kW	30
				Motor 2	kW	8
				Motor 3	kW	8

BATTERY		BATTERY	Type	Lithium Battery LiFePO4	
			Voltage	V	403
			Capacity	Ah	210
			Energy	kWh	67

ELECTRIC SYSTEM		POWER SUPPLY	Type 2 mode (3 PH + N)			
			CCS Combo2 mode 4 Fast DC			
		BATTERY CHARGER	Type 2 mode (3 PH + N)	Charge	V	400
					Ah	50
			CCS Combo2 mode 4 Fast DC	Charge	V	400
					Ah	100

HYDRAULIC SYSTEM		MAX WORKING PRESSURE		bar	300	
		TANK CAPACITY		L	100	
		HYDRAULIC SYSTEM CAPACITY		L	190	
		OIL	-	Biodegradable	ISO VG46	
			-	Mineral	ISO VG46	
		PUMP	Displacement		cm ³ /rev	45
			Max Oil Flow		L/min	120

WINCH

WINCH



LAYER	MAX PULL LINE kg	ROPE SPEED
		STANDARD m/min
1	1.400 ^[1]	53
2	1.310 ^[1]	56,5
3	1.230 ^[1]	60,5
4	1.160 ^[1]	64
5	1.100 ^[1]	68

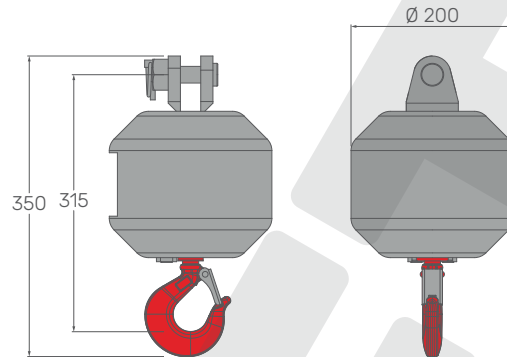
ROPE

WIRE ROPE	BREAKING LOAD kg	∅ mm	TOTAL LENGTH m
Anti-twist 19x7 right lang lay	-	8	106

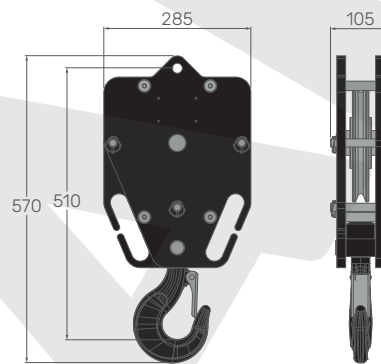
^[1]: LMI limited at 1100 kg.

Maximum speed and maximum lifting capacity cannot be contemporary.

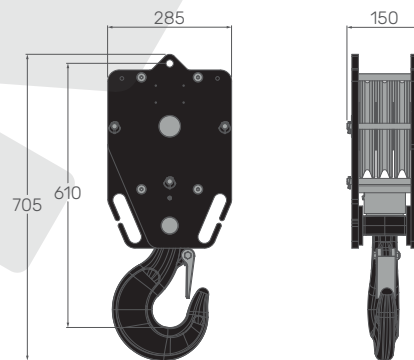
HOOKBLOCK



MODEL	LOAD		N° OF	
			Sheaves	Lines
2 ton single line hook	kg	1.100	-	1



MODEL	LOAD		N° OF	
			Sheaves	Lines
1 sheave hookblock	kg	2.200	1	2

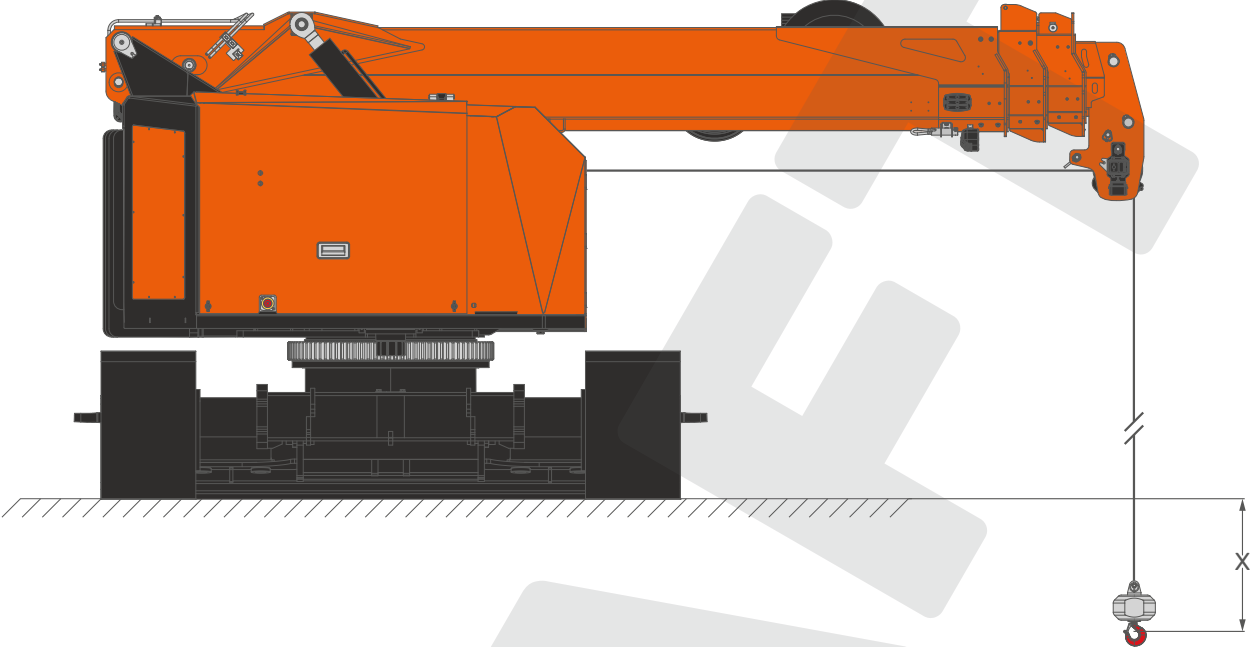


MODEL	LOAD		N° OF	
			Sheaves	Lines
3 sheaves hookblock	kg	2.200	3	2
		4.400		4
		6.600		6

HOOKBLOCK



WINCH ROPE MAX REACH



ROPE		WINCH	m	99,0
-------------	---	-------	---	------

DRAFT

LOAD CHART SELECTION

LOAD CHART							J7
						J6	
J1 - PICK & CARRY							
J0 - NO LIFTING CAPACITY							

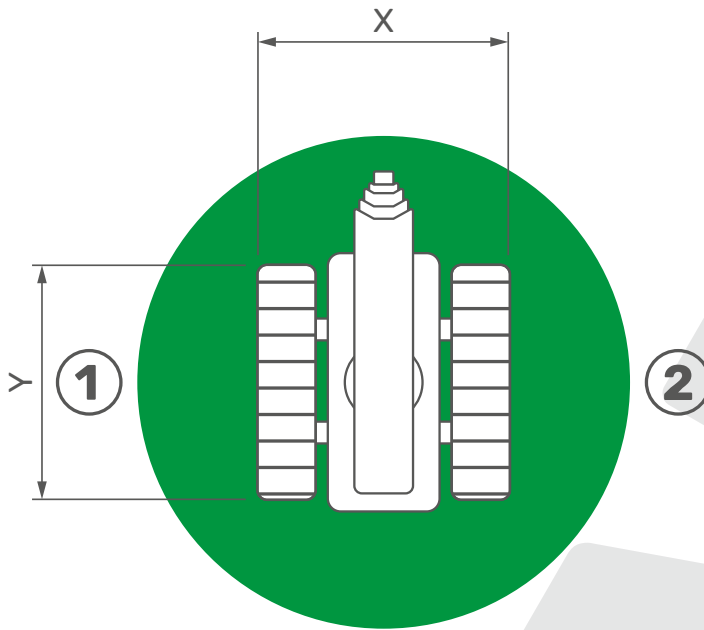
AREA DI STABILITÀ

LOAD CHART	FUNCTION
J6-J7	Crane Stabilized
J1	Pick & Carry
J0	No Lifting Capacity

DRAFT

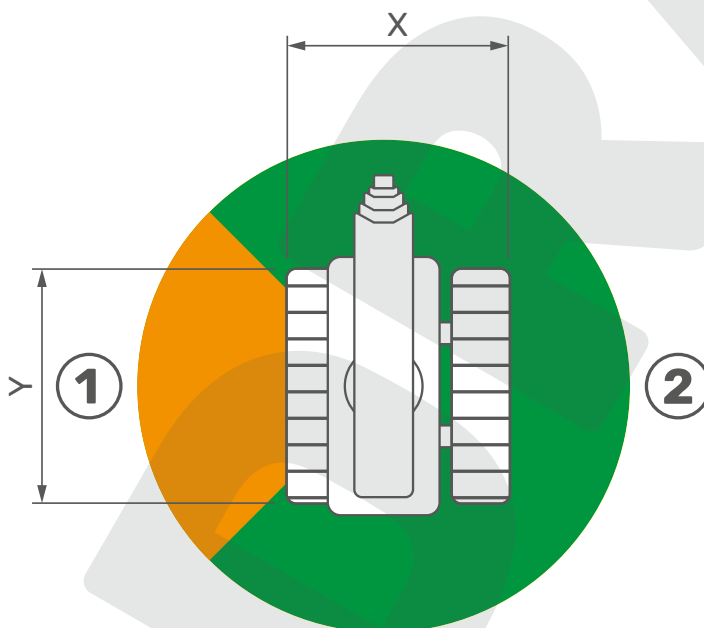
CRANE PERFORMANCE

STABILITY EXAMPLES



FULLY SYMMETRIC STABILITY

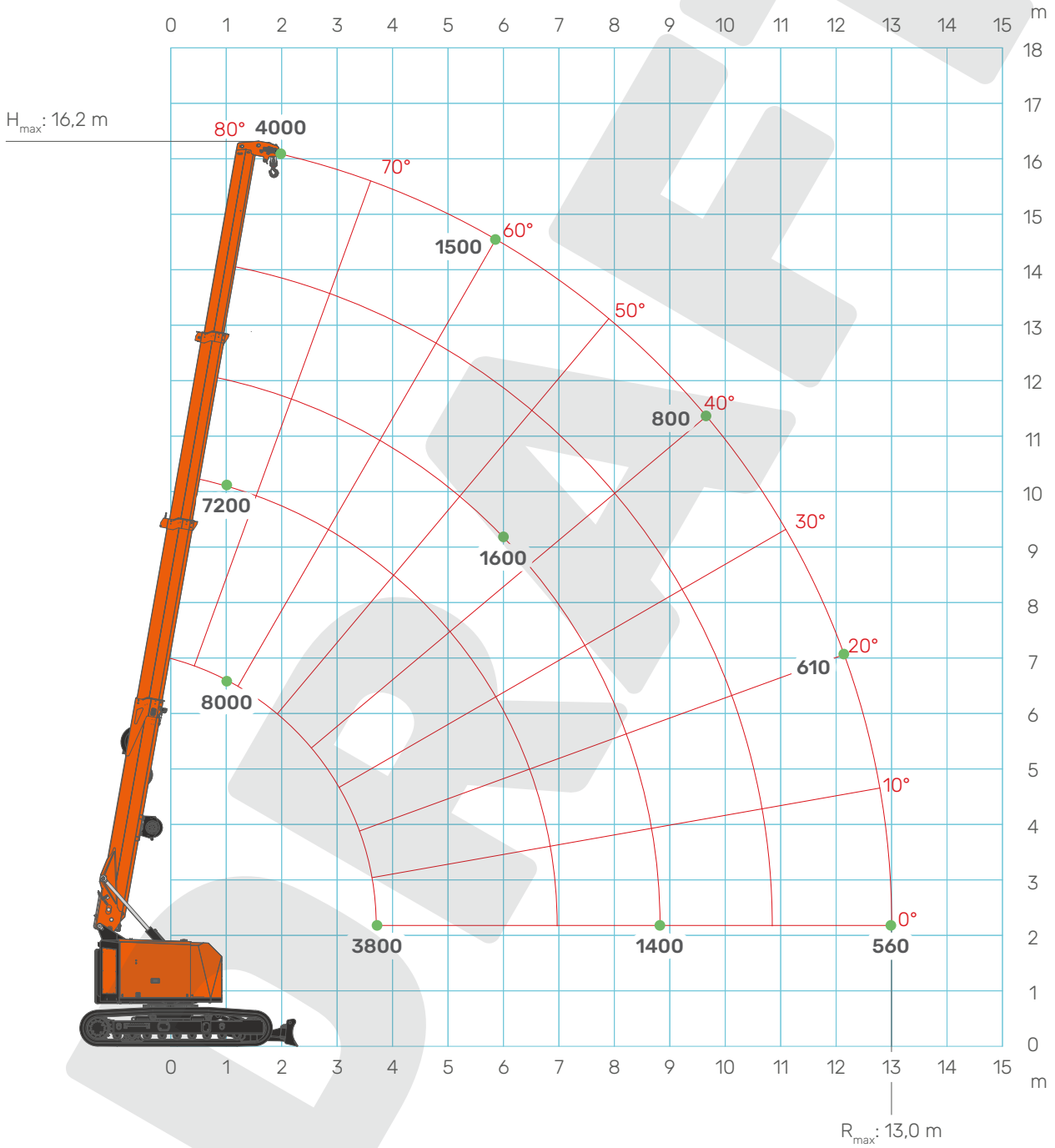
TRACKS EXTENSION	FOOTPRINT DIMENSIONS
	X 2,8 m
	Y 3,5 m
1	Extended
2	Extended
J7	360°



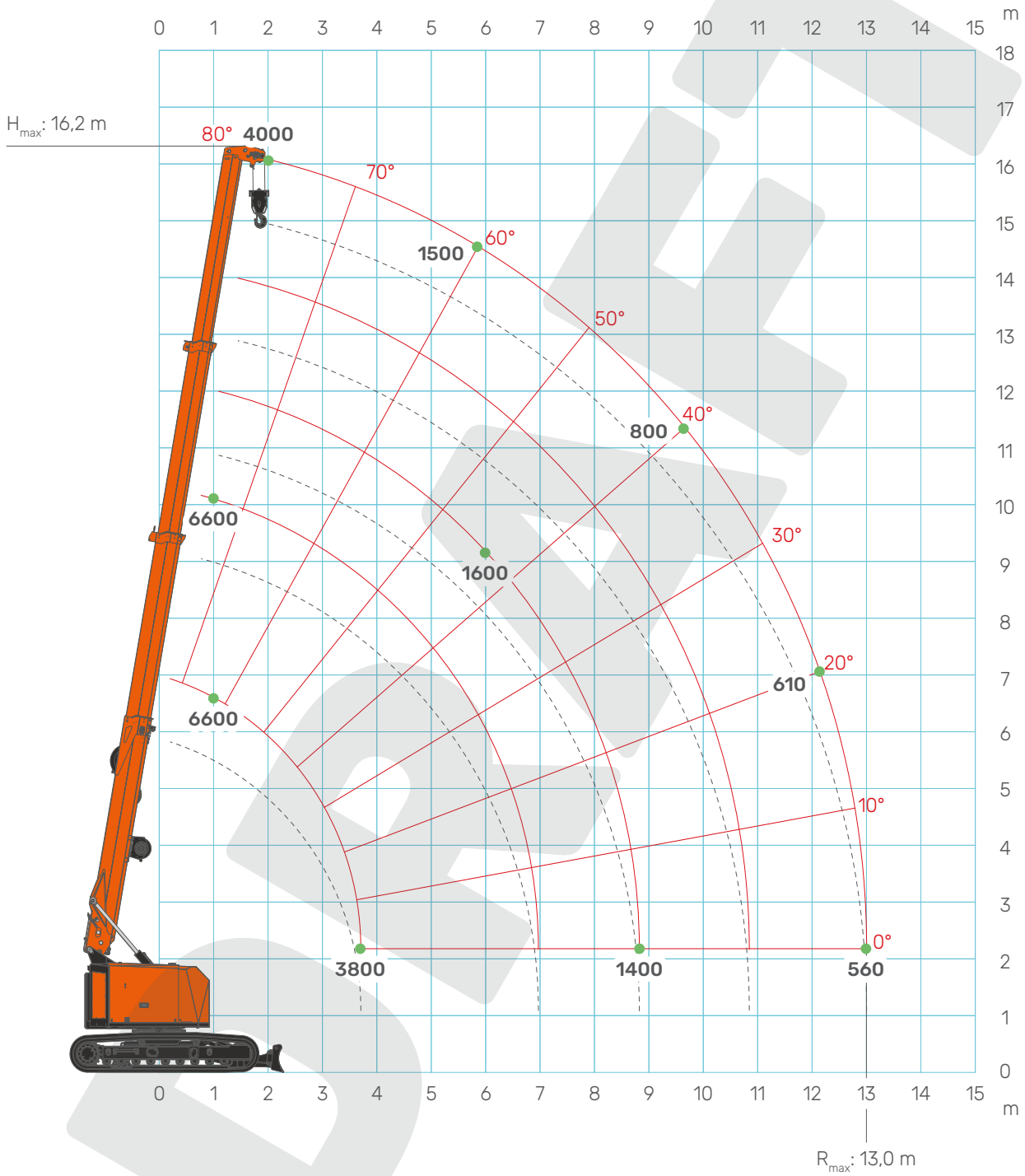
ASYMMETRIC STABILITY

TRACKS EXTENSION	FOOTPRINT DIMENSIONS
	X 2,4 m
	Y 3,5 m
1	Closed
2	Extended
J7	270°
J6	90°

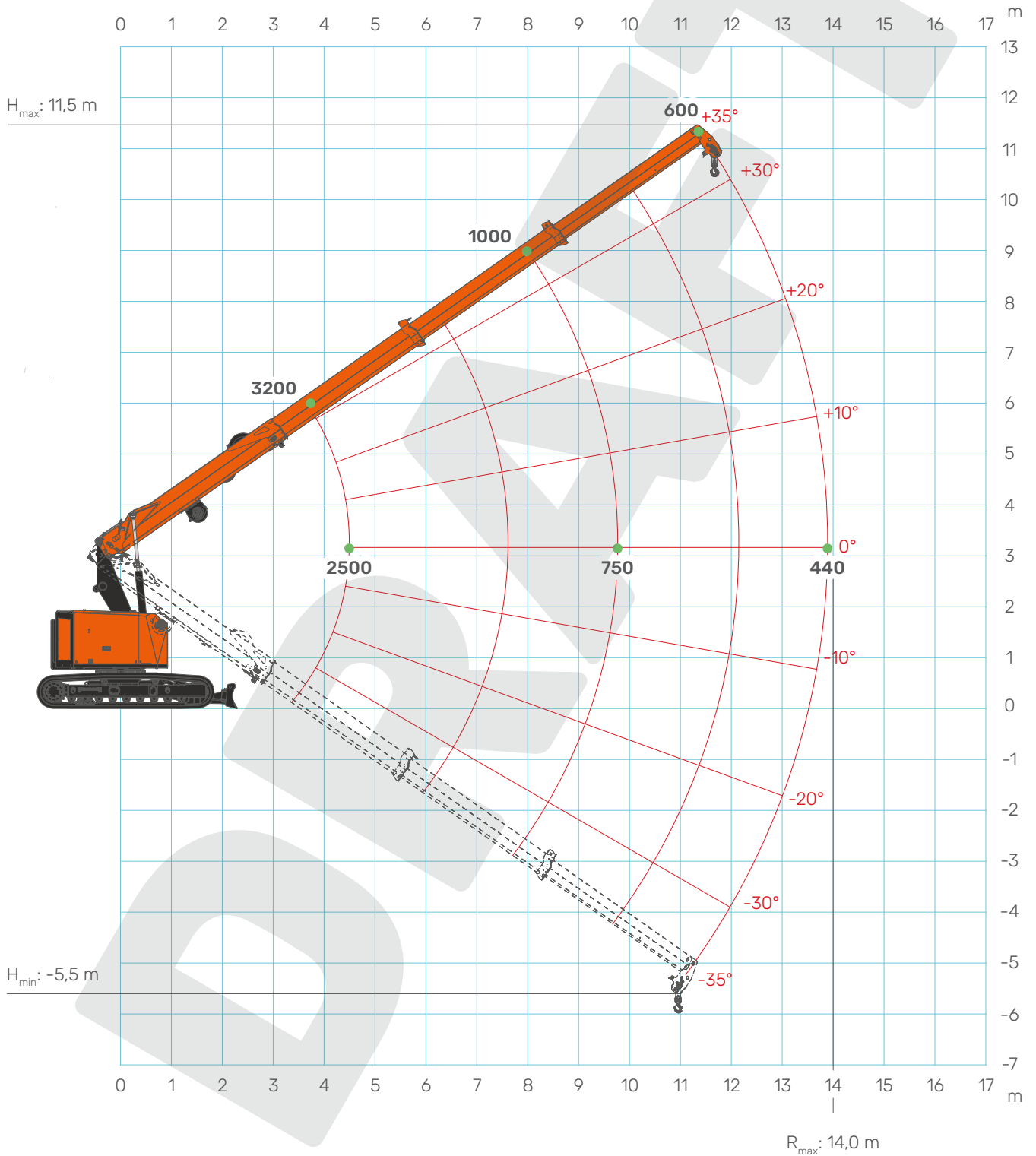
MAIN BOOM



[kg]

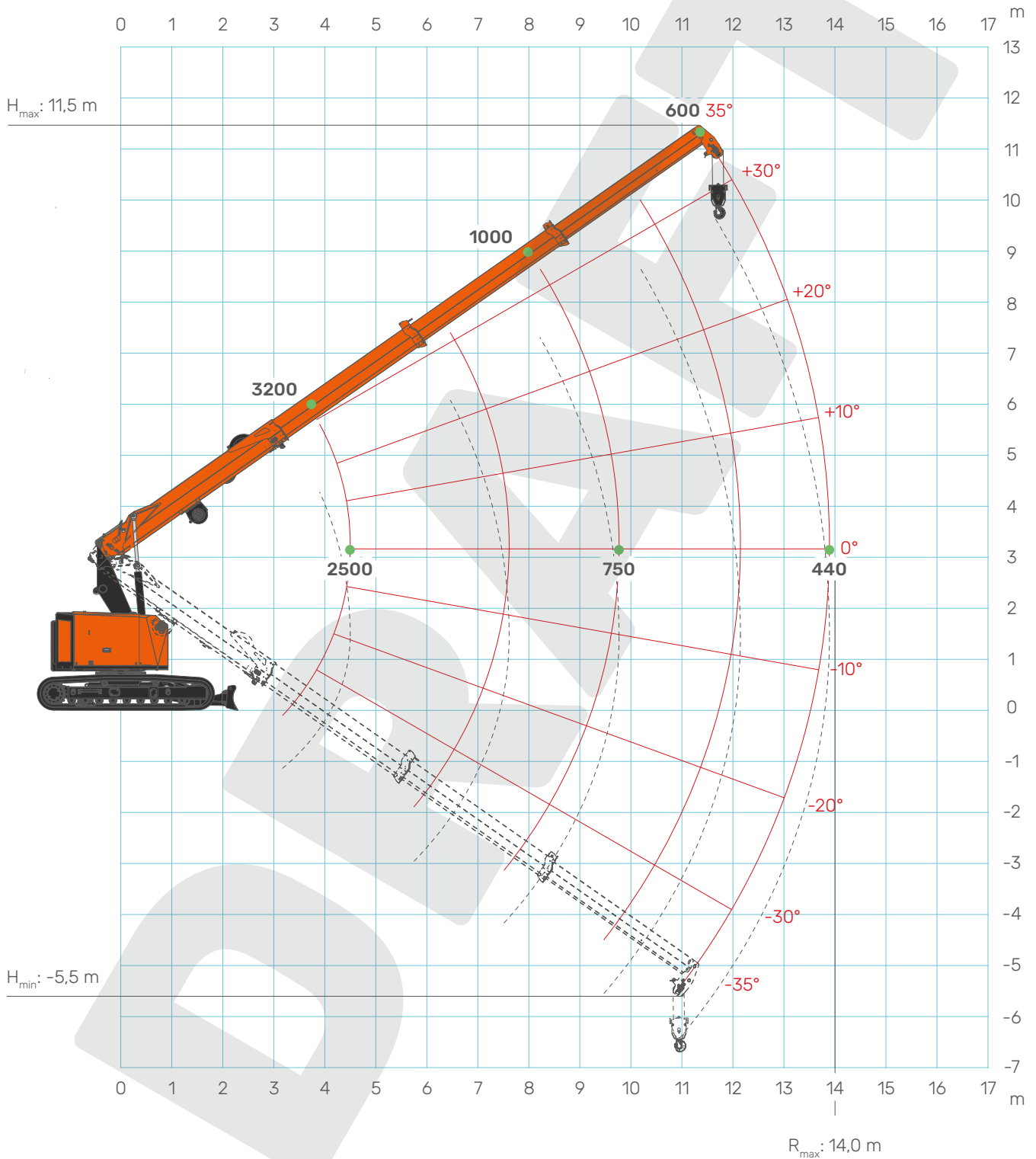


PASS-OVER MODE



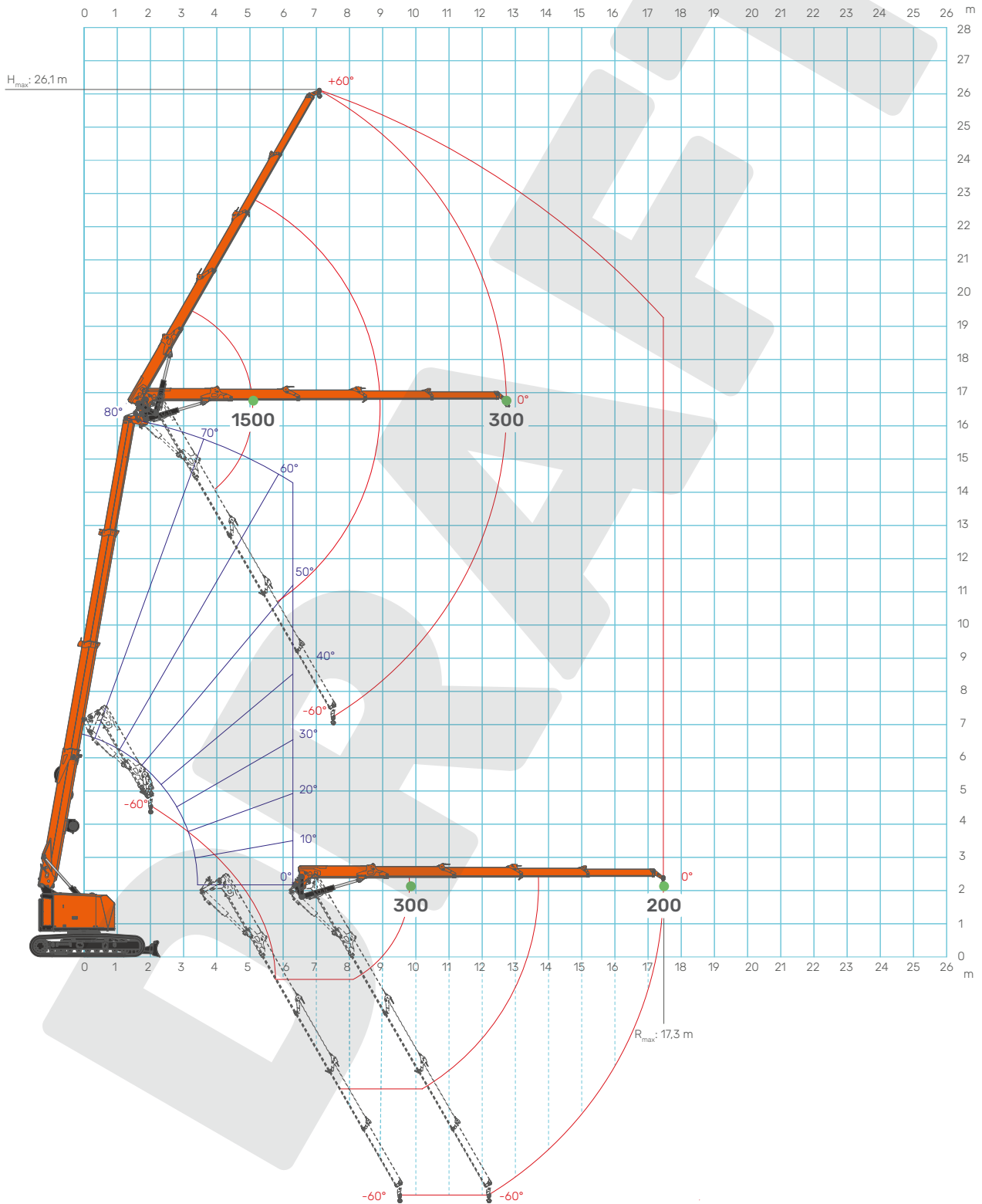
[kg]

PASS-OVER MODE

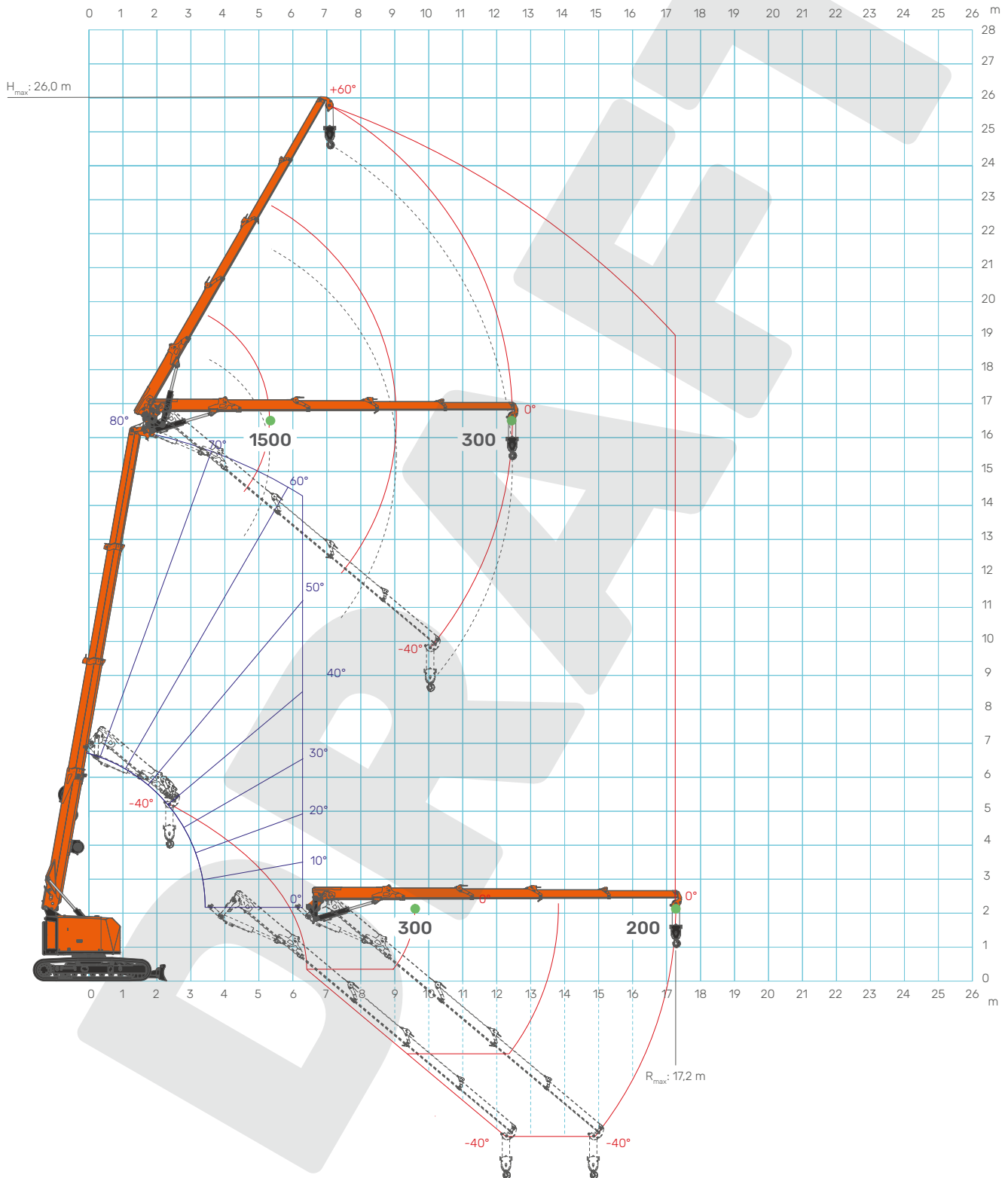


[kg]

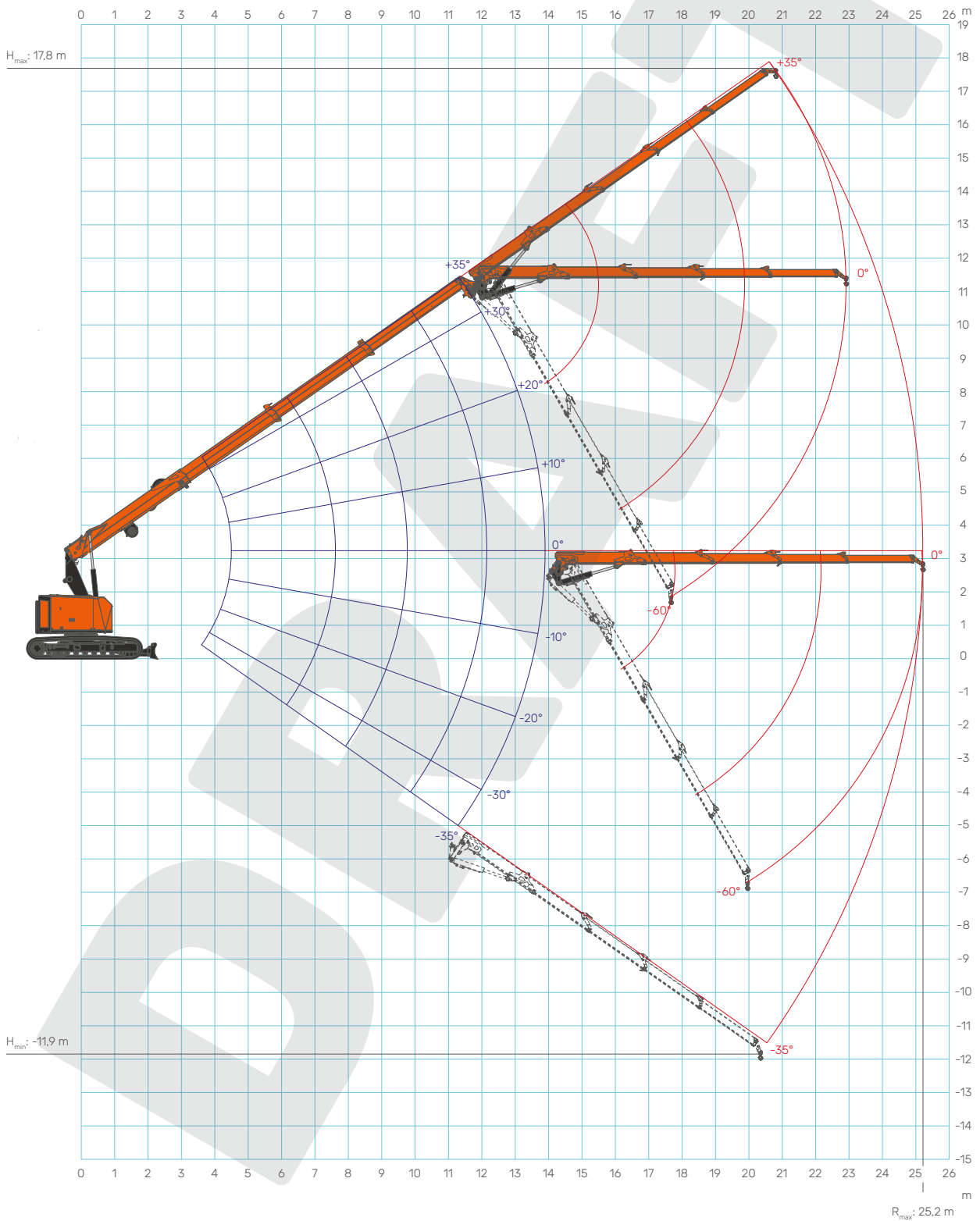
JIB3000.4HX



[kg]

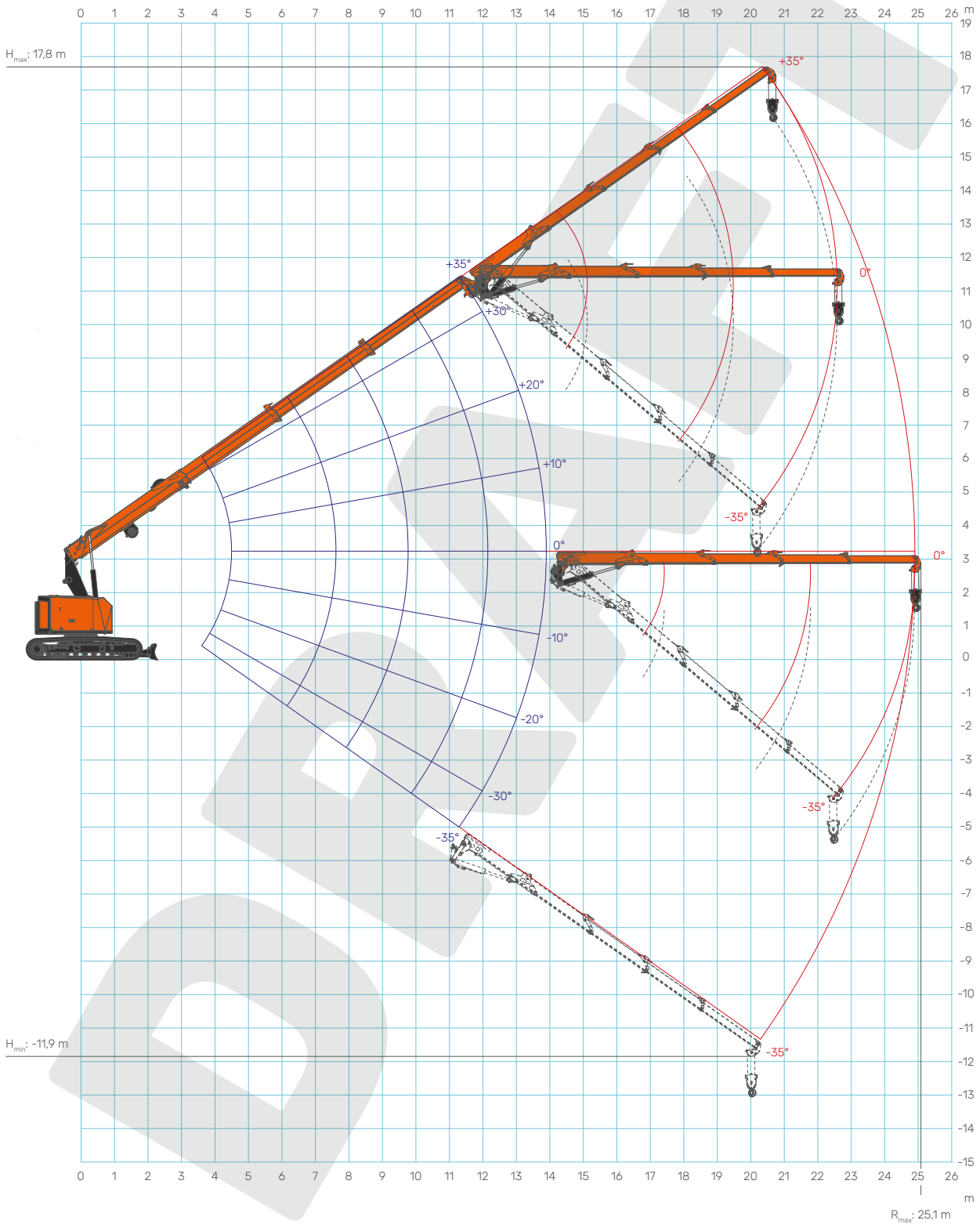


PASS-OVER MODE

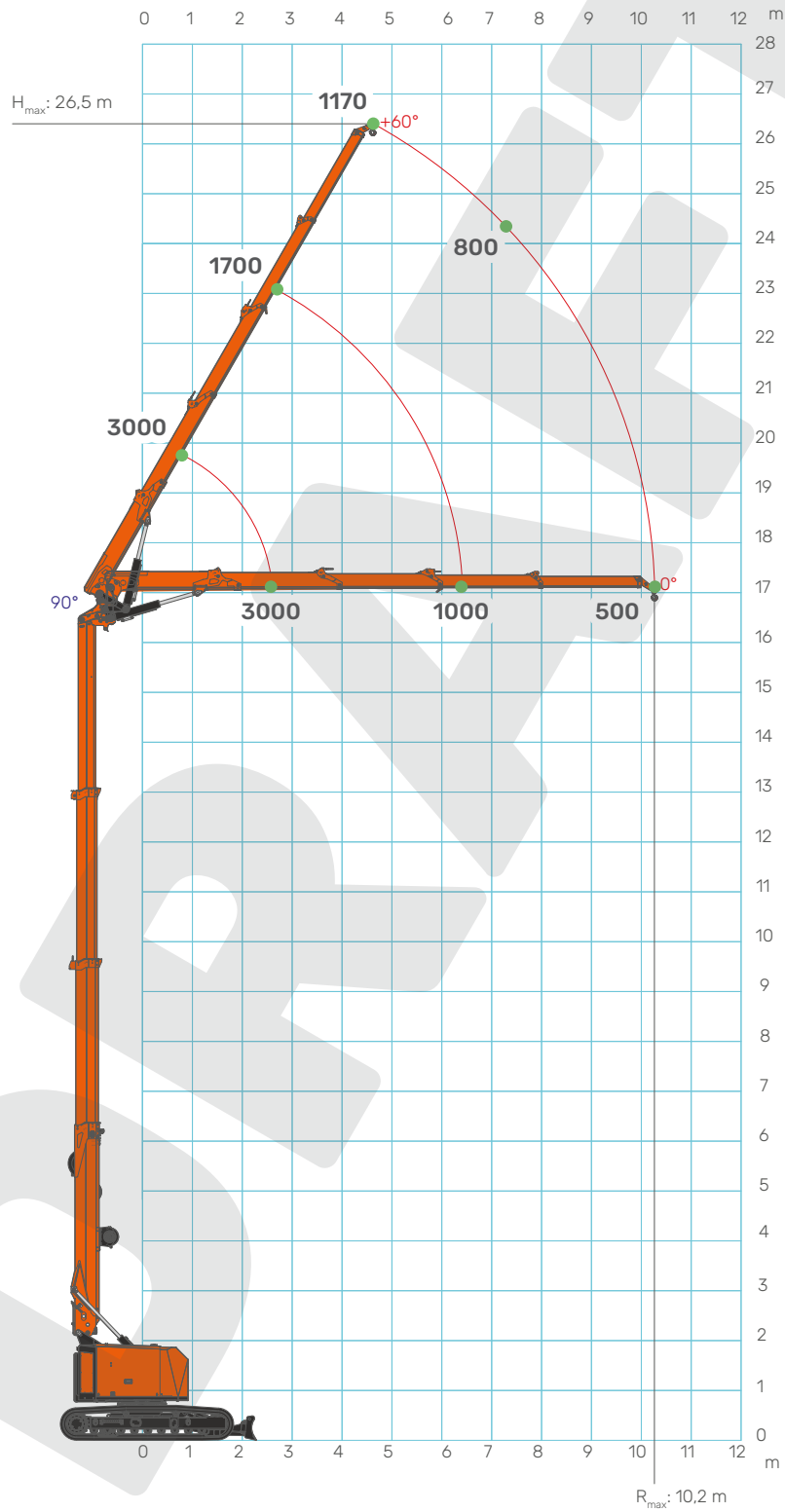


[kg]

PASS-OVER MODE

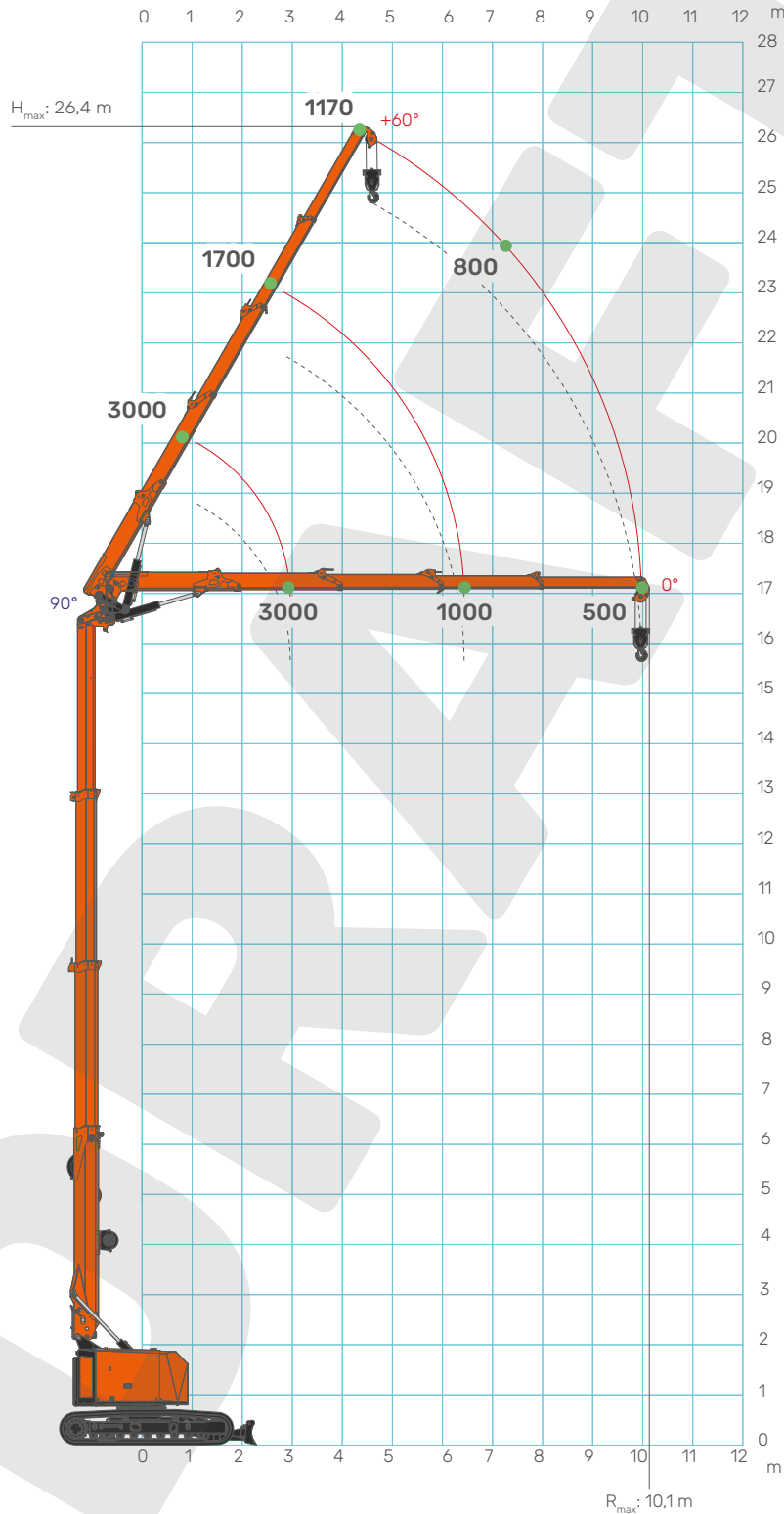


TOWER MODE



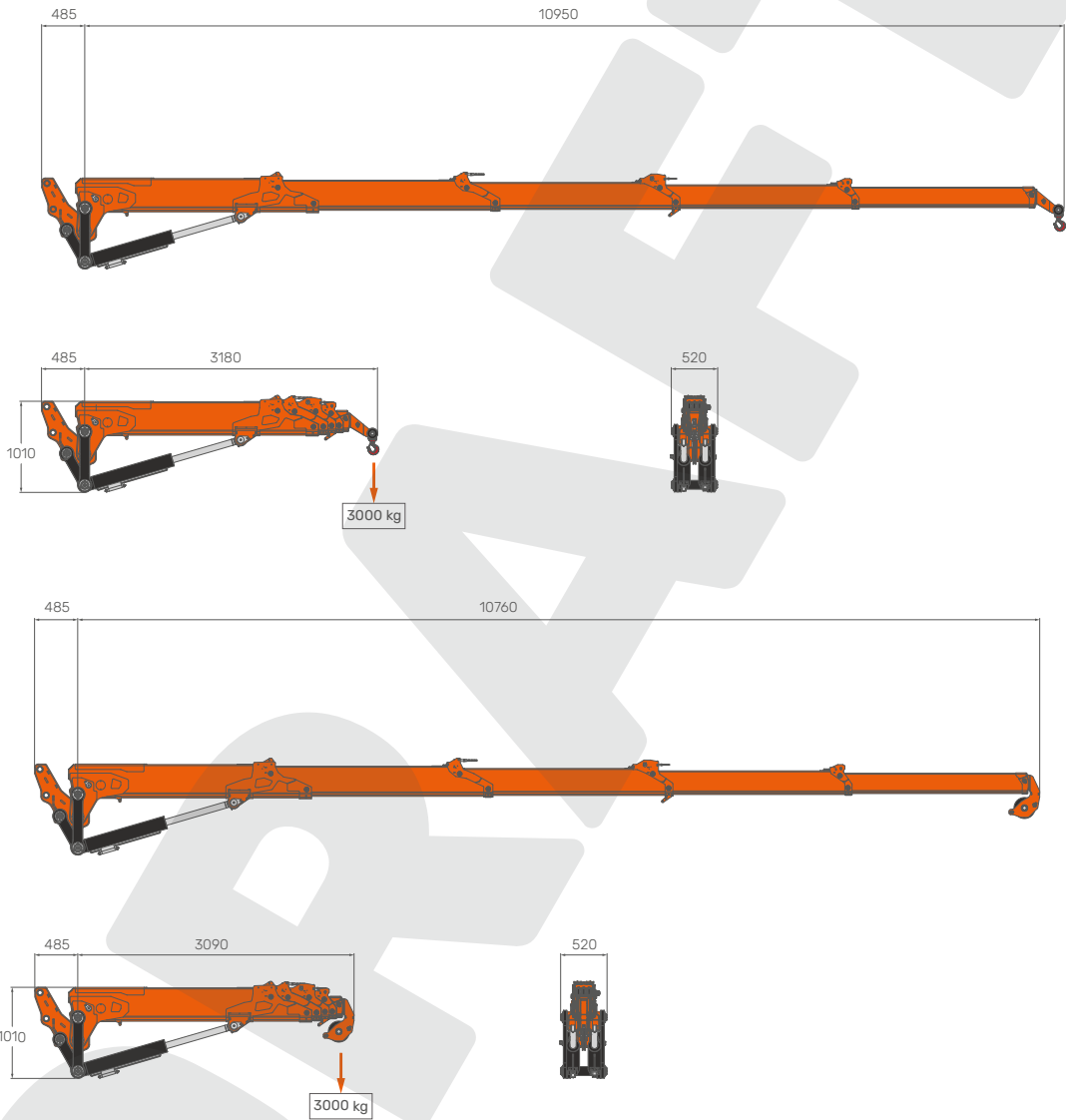
[kg]

TOWER MODE



ACCESSORIES



















JIB3000.4HX



WEIGHT		JIB	JIB3000.4HX	kg	1.000

[mm]

SYMBOLS

	Weight		Battery		Main Boom Lifting		Hydraulic System
	Crane		Electric Motorization		Boom Length		Winter Kit
	Travel Speed		Maximum Capacity		Jib		Working Temperature
	Gradeability		Slewing		Hydraulic Activation		Hook
	Track Load		Winch				

LOAD CHARTS REMARKS

- Load tables have been calculated following the EN 13000:2014 standard.
- Load tables have been calculated considering a wind load of 13,8 m/s, a sail area of 1m²/t and a drag coefficient of 1,2.
- Load capacities are given in kg.
- Hookblocks and hooks weight is part of the load, hence it shall be deducted from the capacity values.
- The working radius is measured form the turret slewing center.
- The supplied Technical Data is part of the Use & Maintenance Manual.
- Features and specifications may change without prior advice.
- All indicated data are for informational purposes only and are not binding as the crane performs differently depending on its use.

DRAFT



Jekko s.r.l.

Via Campardone, 1 - 31014 Colle Umberto (TV) - Italy
info@jekko.it - www.jekko-cranes.com

SERIAL NUMBER: 14.03.2025 | DFT0.0