



Technical Data
Specification & Capacities

JIB1000GR
DRAFT

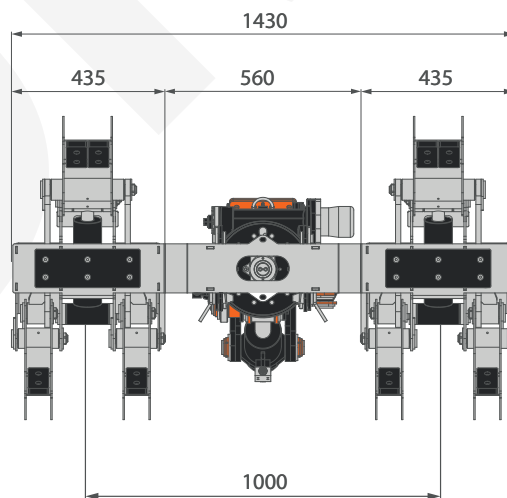
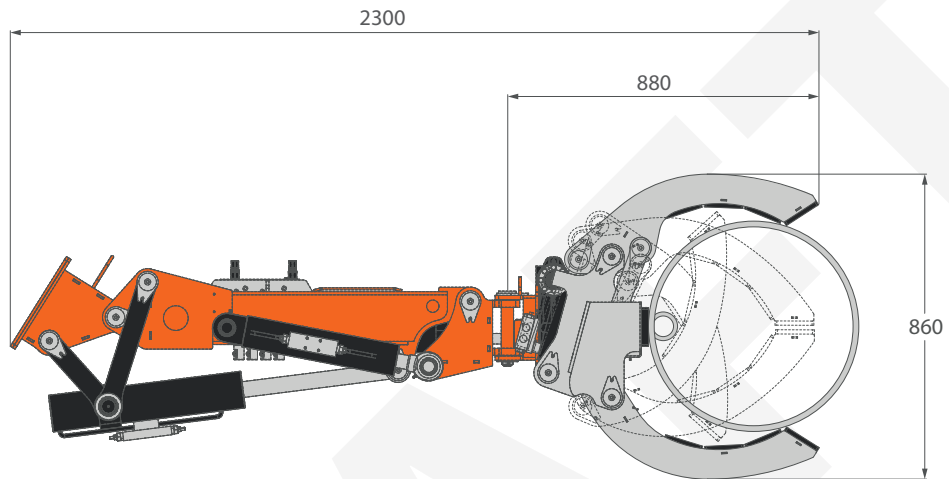


EN 13000:2014

05.03.2025 | Dft0.0

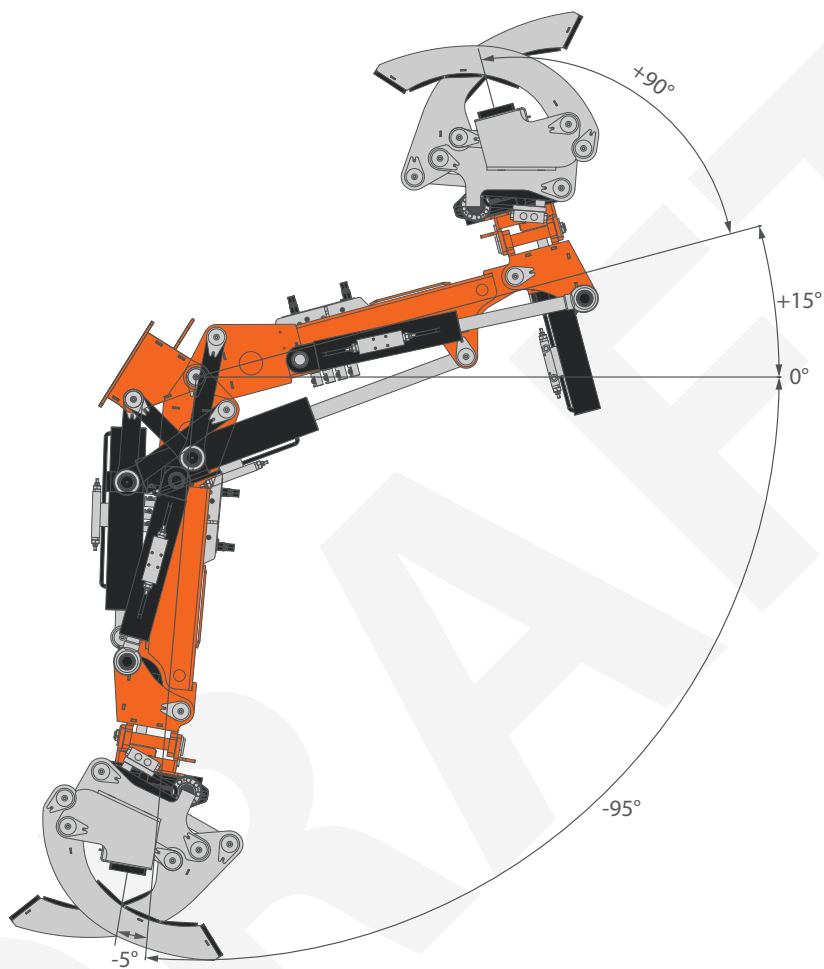
[m] [kg]

OVERALL DIMENSIONS JIB1000GR

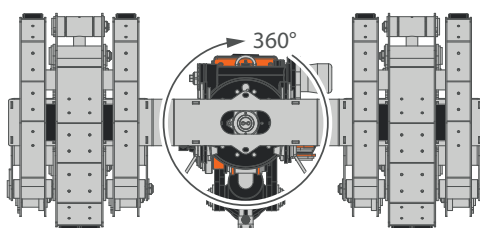


MOVEMENTS

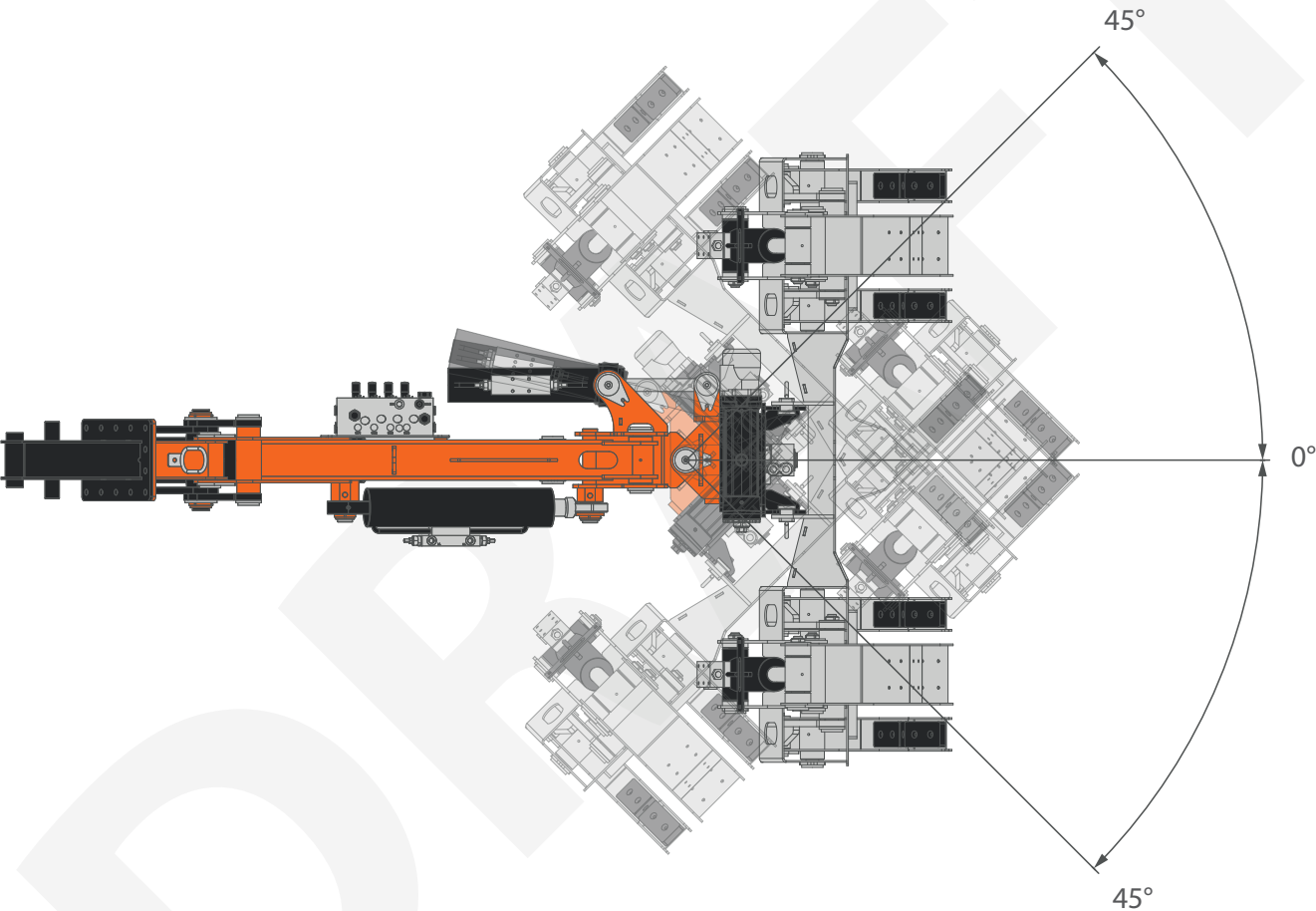
TILT



ROTATION




SWING

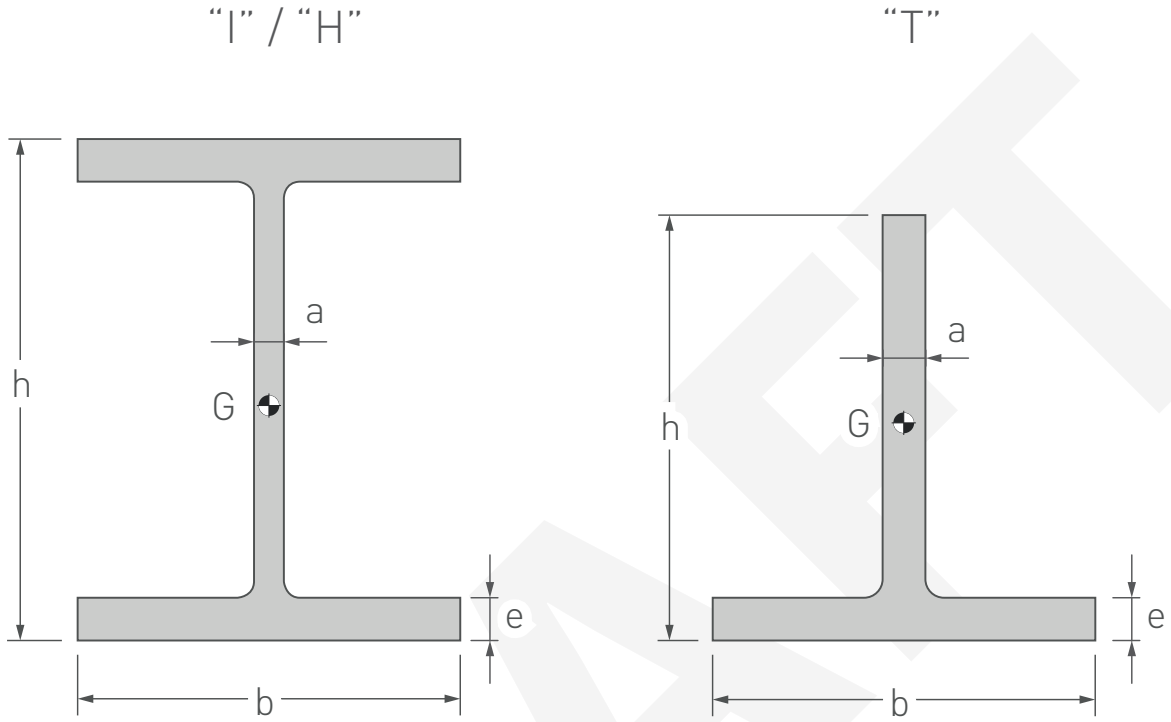


OVERALL INFORMATIONS

		DESCRIPTION		U.M	VALUE	
JIB INFO		OVERALL DIMENSIONS	JIB1000GR	Height	860	
				Length	2.300	
				Width	1.430	
		ROTATION	Tilt A		-95° / +15°	
			Tilt B		-5° / +90°	
			Swing		-45°/+45°	
			Rotation		360°	
	MAX CAPACITY			kg	1.000	
	WORKING TEMPERATURE			°C	-10°/+40°	

WEIGHT		GRABBER	JIB1000GR	kg	340
		ADAPTER	SPX650	kg	15

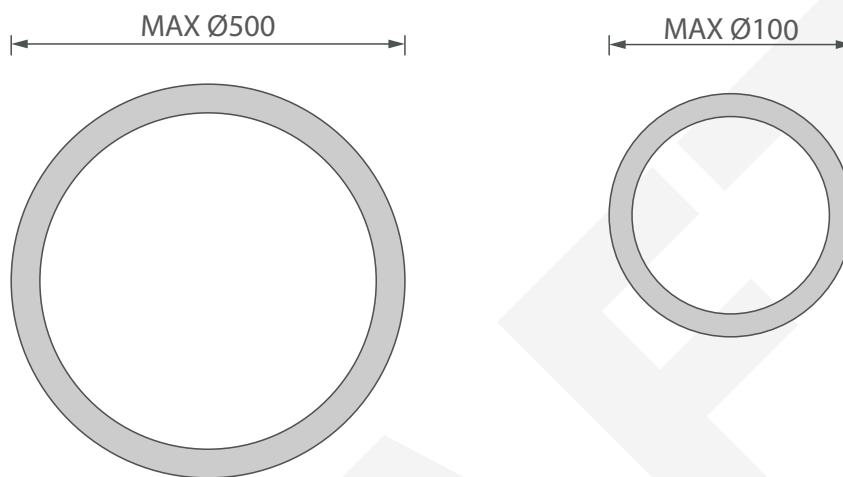
BEAMS DIMENSIONS TYPES



DIMENSIONS		MIN	MAX
	a	4	15
	b	/	200
	e	/	20
h	300	500	

[*]: Lift the beam from the center of gravity (G ●)

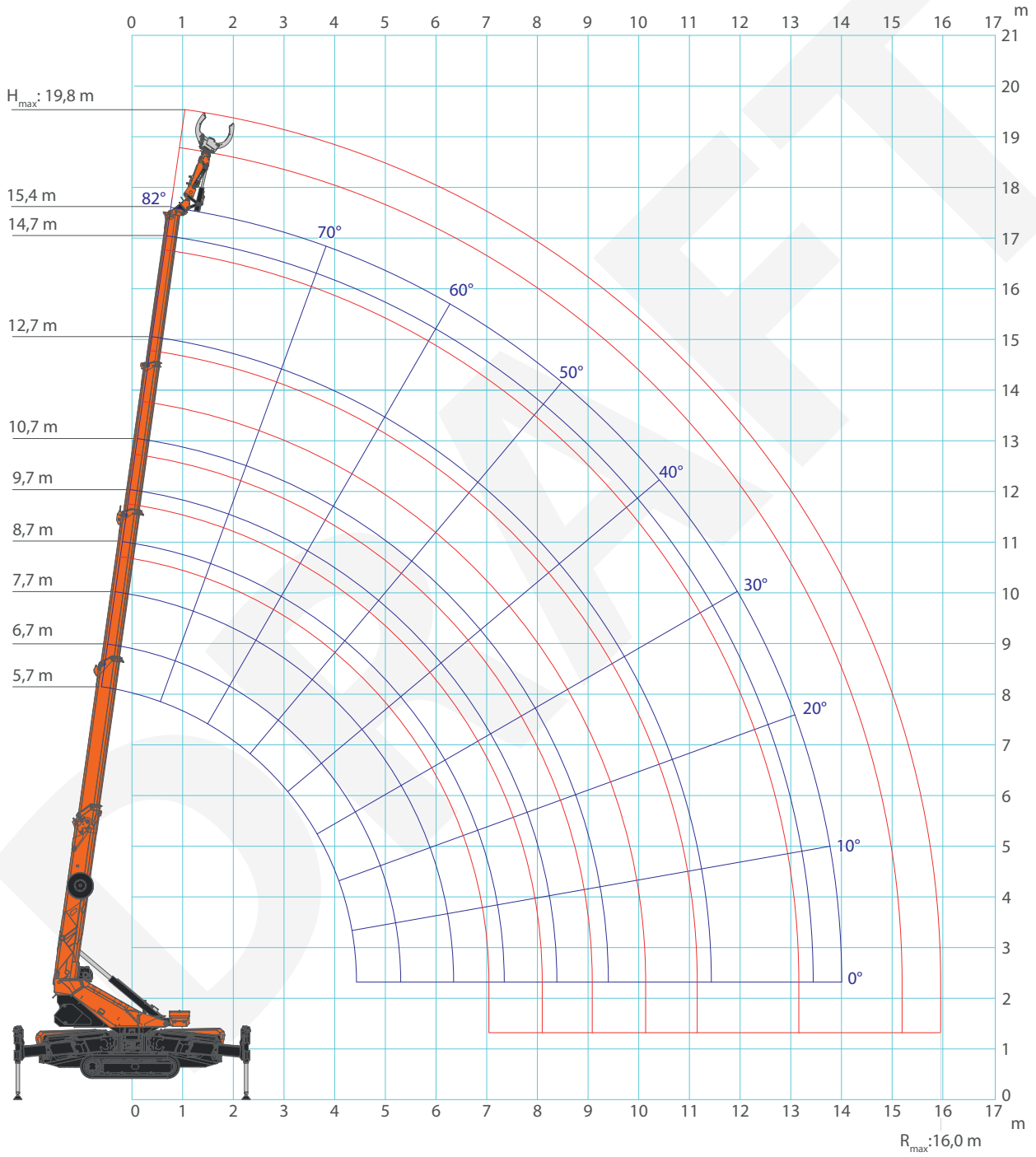
PIPES DIMENSIONS



JIB1000GR

SPX650-JIB1000GR

J7



SYMBOLS



Grabber



Tilt A



Tilt B



Swing



Rotation



Maximum
Capacity



Working
Temperature



Weight

LOAD CHARTS REMARKS

- Load tables have been calculated following the EN 13000:2014 standard.
- Load tables have been calculated considering a wind load of 13,8 m/s, a sail area of 1m²/t and a drag coefficient of 1,2.
- Load capacities are given in kg.
- Hookblocks and hooks weight is part of the load, hence it shall be deducted from the capacity values.
- The working radius is measured form the turret slewing center.
- The supplied Technical Data is part of the Use & Maintenance Manual.
- Features and specifications may change without prior advice.
- All indicated data are for informational purposes only and are not binding as the crane performs differently depending on its use.



Jekko s.r.l.

Via Campardone, 1 - 31014 Colle Umberto (TV) - Italy
info@jekko.it - www.jekko-cranes.com

05.03.2025 | Dft0.0

SERIAL NUMBER:

