



Technical Data

Specifications & Capacities

SPX1280

Traslantion of the original instructions

[m] [kg]

14.03.2025 | REV3.0

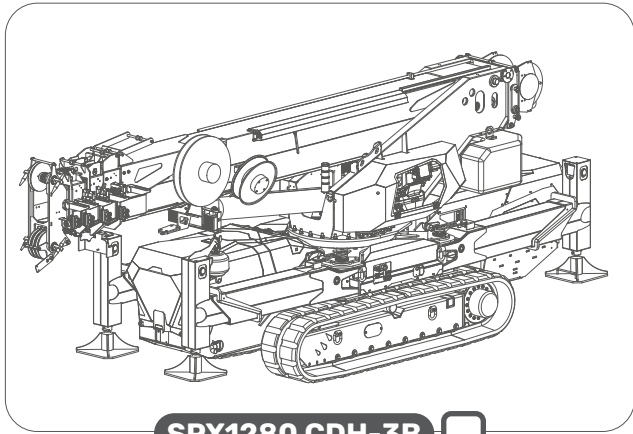


EN 13000:2014

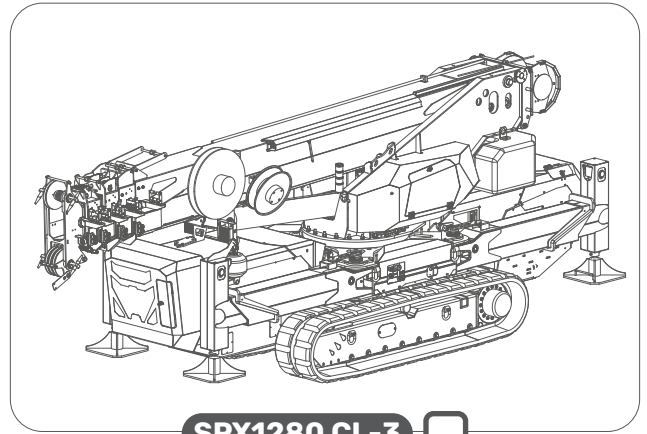
INDEX

Index	2
Crane configuration	3
CDH-3B	4
Overall dimensions	4
Overall informations	5
CL-3	8
Overall dimensions	8
Overall Informations	9
Winch	12
Hookblock.....	13
Winch rope maximum reach.....	14
Stability areas	15
Tipping line - Load chart selection	16
Stability examples	17
Main boom load chart.....	20
Main boom load tables	21
Main boom load chart - Pick & Carry	24
Main boom load tables - Pick & Carry.....	25
JIB3502GX load chart.....	26
JIB3502GX load tables.....	28
JIB3502GX load chart- Pick & Carry.....	31
JIB3502GX load table - Pick & Carry	33
JIB1502.3HX load chart	34
JIB1502.3HX load tables.....	36
JIB1502.1FL load chart.....	38
JIB1502.1FL load tables.....	39
JIB500GR load chart.....	40
JIB500GR load tables.....	41
JIB500GR load chart - Pick & Carry	43
JIB500GR load tables - Pick & Carry	44
JIB1502.3HX features	45
JIB3502GX features	46
JIB1502.1FL features	47
JIB500GR features	48
Symbols	49

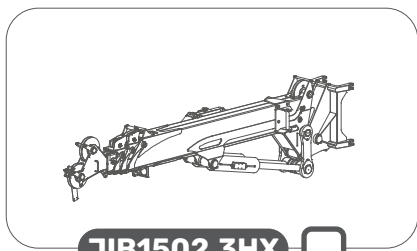
CRANE CONFIGURATION



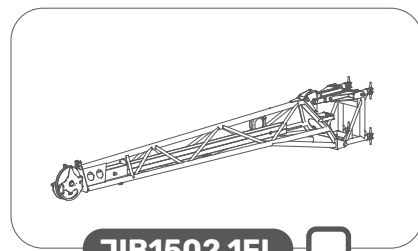
SPX1280 CDH-3B



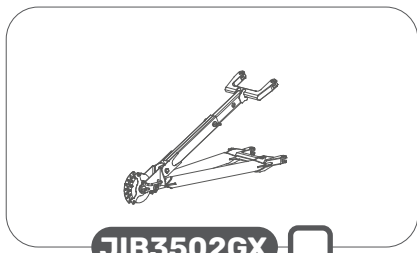
SPX1280 CL-3



JIB1502.3HX



JIB1502.1FL



JIB3502GX



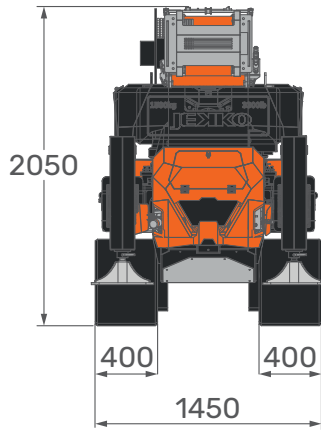
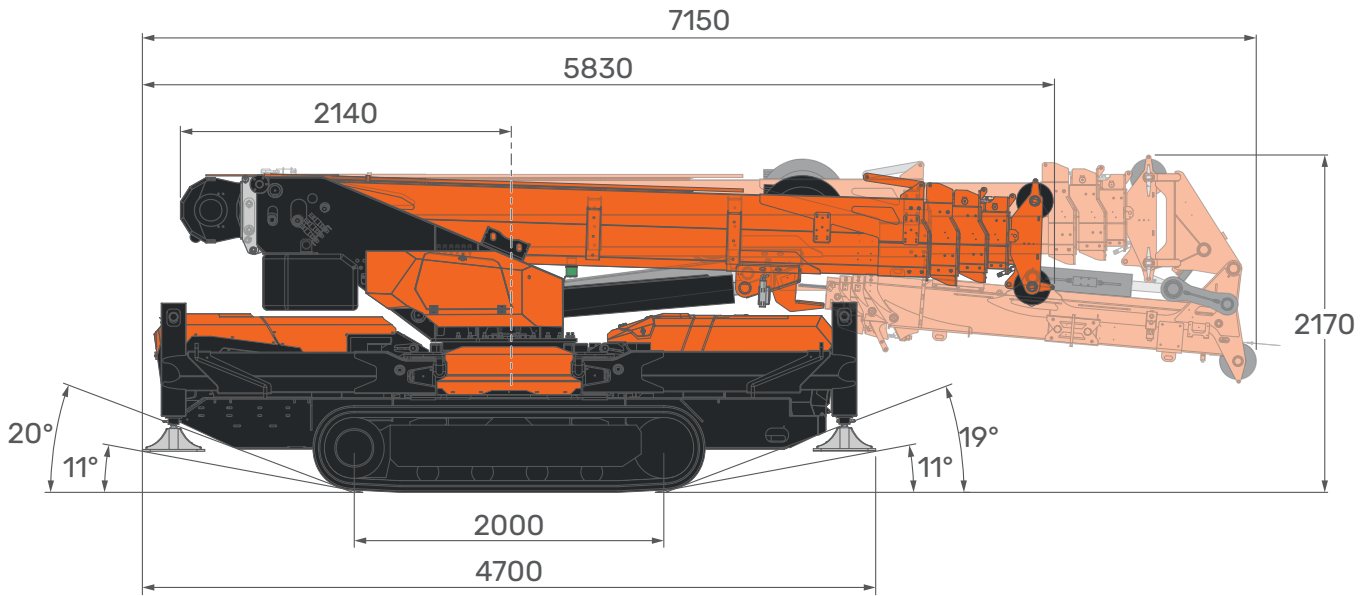
JIB500GR

SPX1280 CDH-3B

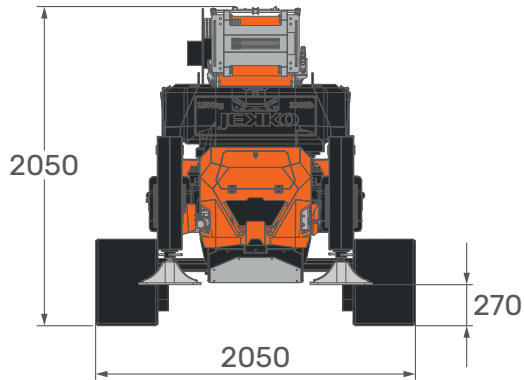
14.03.2025 | REV3.0

Overall dimensions

OVERALL DIMENSIONS



**CLOSED
TRACKS**



**EXTENDED
TRACKS**

OVERALL INFORMATIONS

CRANE INFO



	DESCRIPTION	U.M.	VALUE
OVERALL DIMENSIONS	Height	mm	2.050
	Length		5.830
	Width		1.450
BOOM	Length	m	4,9/17,7
	Speed	s	72 (4,9/17,7 m)
SLEWING	Angle	°	360°
	Speed	rpm	1
LIFTING	Working Angle	°	0°/80°
	Speed	s	30 (0°/50°)
MAX CAPACITY		kg	8.000
MAX OUTRIGGERS LOAD		kg	6.800 ^[1]
TRACK LOAD		kg/cm ²	0,72
TRAVEL SPEED	Slow	km/h	1,3
	Fast		2,8
MAX GRADEABILITY		°	15°(26%)
WORKING TEMPERATURE		°C	-10°/+40°
SOUND EMISSIONS		dB	100
MAX WIND SPEED IN WORKING CONDITIONS		m/s	13,8
Lifting Class (UNI 4301-1)		A1	

^[1]: Static Lifting

SPX1280 CDH-3B

14.03.2025 | REV3.0

Overall informations

WEIGHT



CRANE	Standard Configuration	kg	7.100 ^{[1][2]}
COUNTERWEIGHT	Optional	kg	1.500
HOOKBLOCK	2 ton single line hook	kg	42
	3.2T-D10		35
	8.5T-D10		65

ACCESSORIES



JIB	3502GX	kg	70
	1502.1FL		265
	1502.3HX		675
	500GR		270
HYDRAULIC ACTIVATION	HA-SPX1280	kg	40
	HA-JIB1502.3HX		20
WINTER KIT	WUK-04	kg	3
POWERPACK	3-Phase Electric Motor Pump	kg	140
OUTRIGGERS MATS	OM500.1 (x4)	kg	92

^[1]: Dry weight

^[2]: Estimated fluids weight = 150 kg

ENGINE		Power Supply		Diesel		
		ENGINE	Power	kW	18,5	
			HP	25		
Tank Capacity	L	35				

POWERPACK		POWER SUPPLY		PP400-11D.V06 (CE)		3 PH + N + PE		
				PP220-11D.V07 (UL-CSA)		3 PH + PE		
		3-PHASE KIT	PP400-11D.V06 (CE)		Voltage	V	400	
					Frequency	Hz	50	
					Motor Power	kW	11	
			PP220-11D.V07 (UL-CSA)		Voltage	V	220	
					Frequency	Hz	60	
					Motor Power	kW	11	
		CHARGER	PP400-11D.V06 (CE)		Charge	V	12	
						Ah	25	
PP220-11D.V07 (UL-CSA)			Charge	V	12			
				Ah	25			

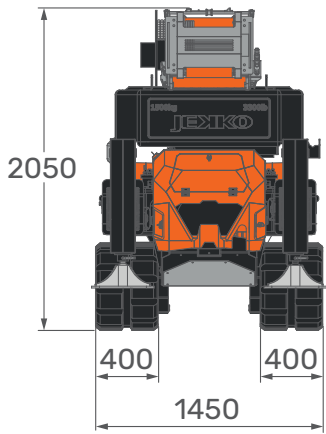
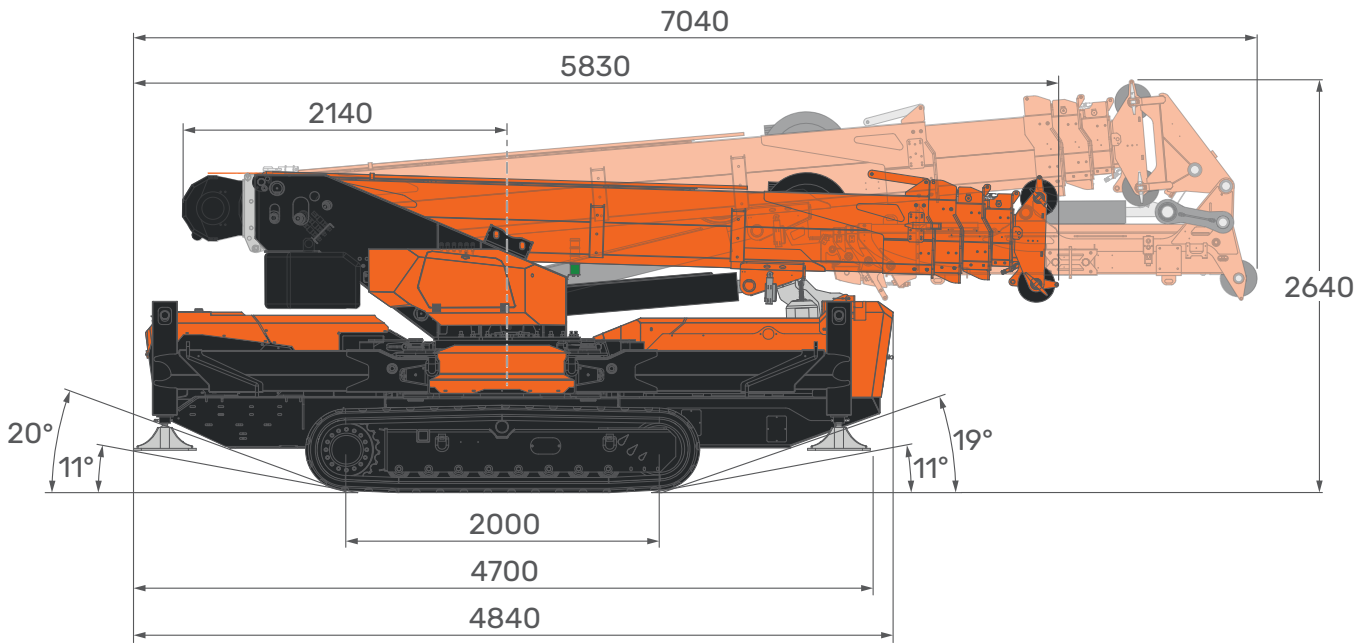
HYDRAULIC SYSTEM		MAX WORKING PRESSURE		bar	230		
		TANK CAPACITY		L	100		
		HYDRAULIC SYSTEM CAPACITY		L	180		
		OIL	OIL-1280		Biodegradable	ISO VG46	
			ARTIC-OIL-1280		Mineral	ISO VG46	
		MAIN PUMP	Variable Displacement		cm ³ /rev	45	
Max Oil Flow			L/min	95			

SPX1280 CL-3

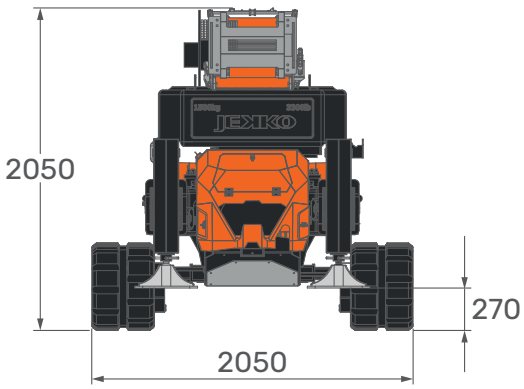
14.03.2025 | REV3.0

Overall dimensions

OVERALL DIMENSIONS



CLOSED TRACKS



EXTENDED TRACKS

[mm]

OVERALL INFORMATIONS

CRANE INFO



	DESCRIPTION	U.M.	VALUE
OVERALL DIMENSIONS	Height	mm	2.050
	Length		5.830
	Width		1.450
BOOM	Length	m	4,9/17,7
	Speed	s	62 (4,9/17,7 m)
SLEWING	Angle	°	360°
	Speed	rpm	1
LIFTING	Working Angle	°	0°/80°
	Speed	s	35 (0°/50°)
MAX CAPACITY		kg	8.000
MAX OUTRIGGERS MAX LOAD		kg	7.500 ^[1]
TRACK LOAD		kg/cm ²	0,79
TRAVEL SPEED	Slow	km/h	1,3
	Fast		2,8
MAX GRADEABILITY		°	15°(26%)
WORKING TEMPERATURE		°C	-10°/+40°
MAX WIND SPEED IN WORKING CONDITIONS		m/s	13,8
Lifting Class (UNI 4301-1)			A1

^[1]: Static lifting

SPX1280 CL-3

14.03.2025 | REV3.0

Overall informations

WEIGHT



CRANE	Standard Configuration	kg	7.900 ^{[1][2]}
COUNTERWEIGHT	Optional	kg	1.500
HOOKBLOCK	2 ton single line hook	kg	42
	3.2T-D10		35
	8.5T-D10		109

ACCESSORIES



JIB	3502GX	kg	70
	1502.1FL		265
	1502.3HX		675
	500GR		270
HYDRAULIC ACTIVATION	HA-SPX1280	kg	40
	HA-JIB1502.3HX		20
WINTER KIT	WUK-04	kg	3
OUTRIGGERS MATS	OM500.1 (x4)	kg	92

^[1]: Dry weight

^[2]: Estimated fluids weight = 150 kg

MOTOR		ELECTRIC MOTORIZATION	Power Supply		Lithium Battery	
			Battery Voltage	V	96	
			Battery Capacity	Ah	400	
			Motor Power	kW	20	

ELECTRICAL SYSTEM		POWER SUPPLY	CE	1 PH + N + PE		
				3 PH + N + PE		
			UL-CSA	1x 1 PH (110/230V) + N + PE		
				2x 1 PH (110/230V) + N + PE		
				3x 1 PH (110/230V) + N + PE		

BATTERY CHARGER		CE	1 PH + N + PE	Charge	V	96	
					Ah	25	
			3 PH + N + PE	Charge	V	96	
					Ah	75	
			UL-CSA	1x 1 PH (110/230V) + N + PE	Charge	V	96
						Ah	25
		2x 1 PH (110/230V) + N + PE		Charge	V	96	
					Ah	50	
		3x 1 PH (110/230V) + N + PE	Charge	V	96		
				Ah	75		

HYDRAULIC SYSTEM		MAX WORKING PRESSURE		bar	230	
		TANK CAPACITY		L	100	
		HYDRAULIC SYSTEM CAPACITY		L	180	
		OIL	OIL-1280		Biodegradable	ISO VG46
			ARTIC-OIL-1280		Mineral	ISO VG46
		PUMP	Displacement		cm ³ /rev	38
			Max Oil Flow		L/min	65

SPX1280

Winch

14.03.2025 | REV3.0

WINCH

WINCH



LAYER	MAX PULL LINE	ROPE SPEED	
		SLOW	FAST
	kg	m/min	m/min
1	2.072 ^[1]	46,4	83,5
2	1.893 ^[1]	50,7	91,4
3	1.743 ^[1]	55,1	99,3
4	1.615 ^[1]	59,5	107,2
5	1.504 ^[1]	63,8	115,1

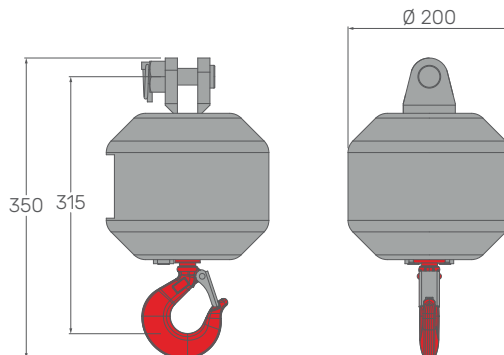
ROPE

WIRE ROPE	BREAKING LOAD	∅	TOTAL LENGTH
	kg	mm	m
Anti-twist 19x7 right lang lay	9.480	10	125

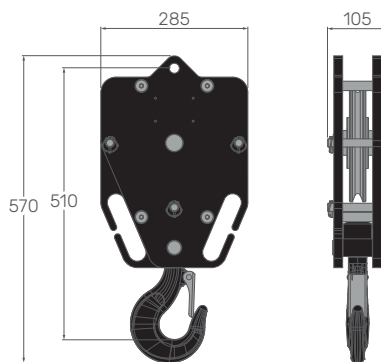
^[1]: LMI limited at 1500 kg.

Maximum speed and maximum lifting capacity cannot be contemporary.

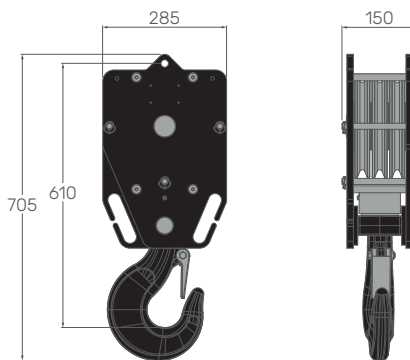
HOOKBLOCK



MODEL	LOAD		N° OF	
			Sheaves	Lines
2 ton single line hook	kg	1.500	-	1



MODEL	LOAD		N° OF	
			Sheaves	Lines
3.2T-D10	kg	3.000	1	2



MODEL	LOAD		N° OF	
			Sheaves	Lines
8.5T-D10	kg	3.000	3	2
		6.000		4
		8.000		6

HOOKBLOCK

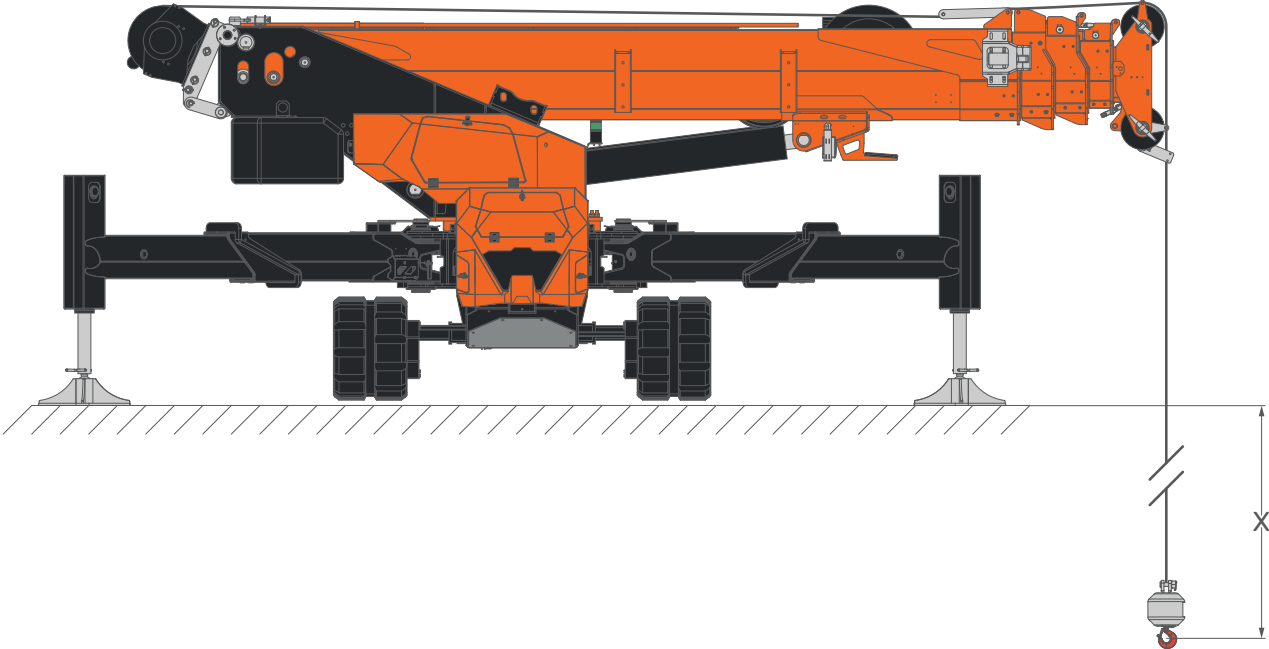


SPX1280

Winch rope maximum reach

14.03.2025 | REV3.0

WINCH ROPE MAX REACH

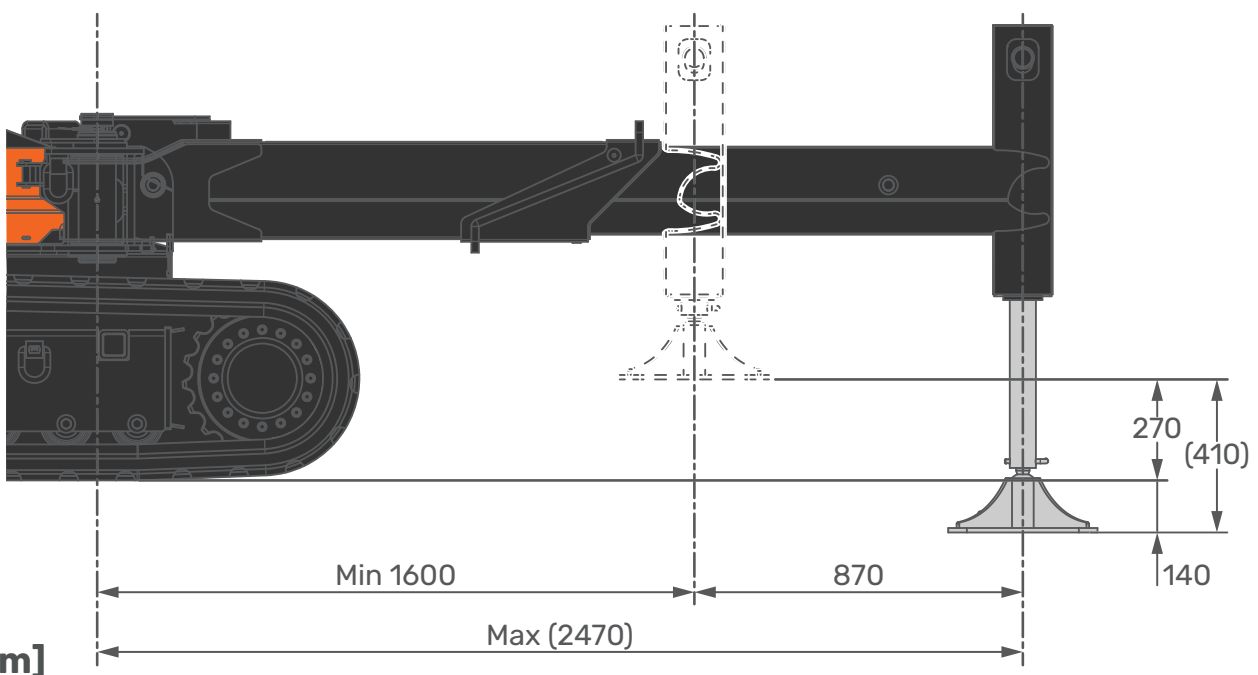
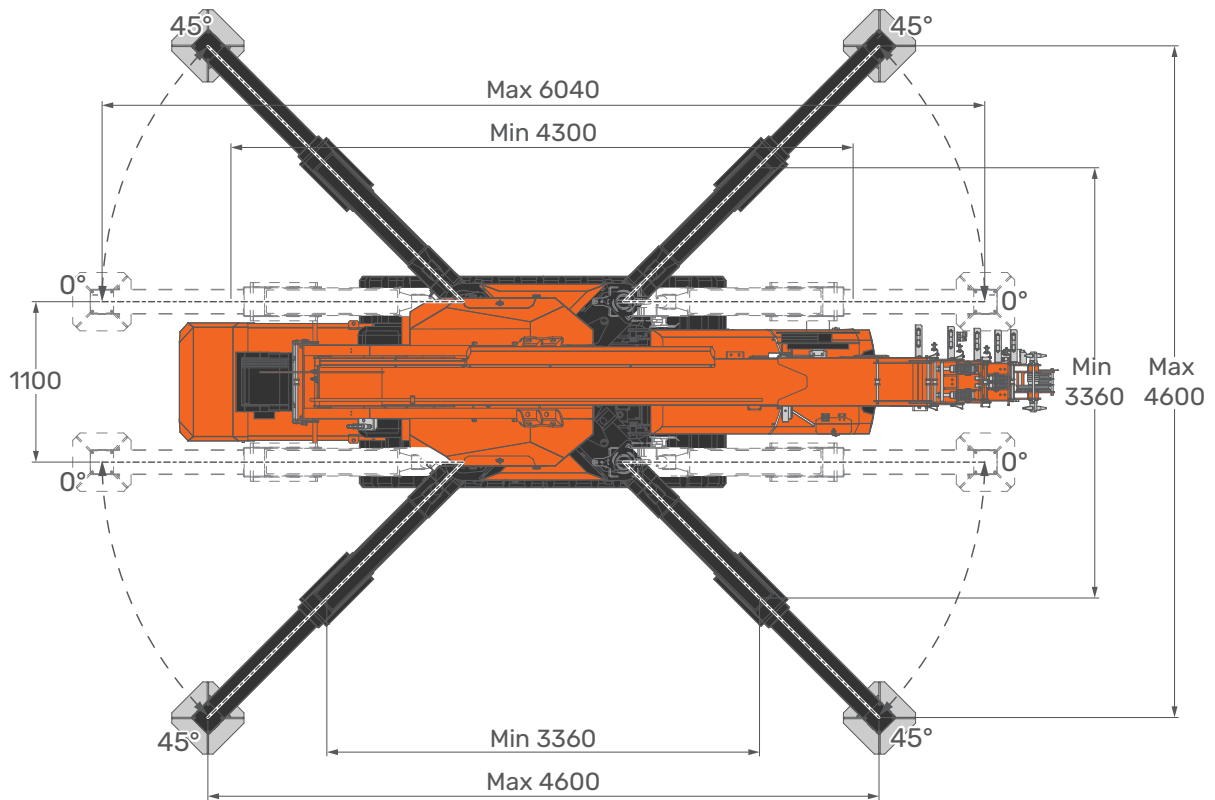


ROPE



WINCH	m	115
-------	---	-----

STABILITY AREAS



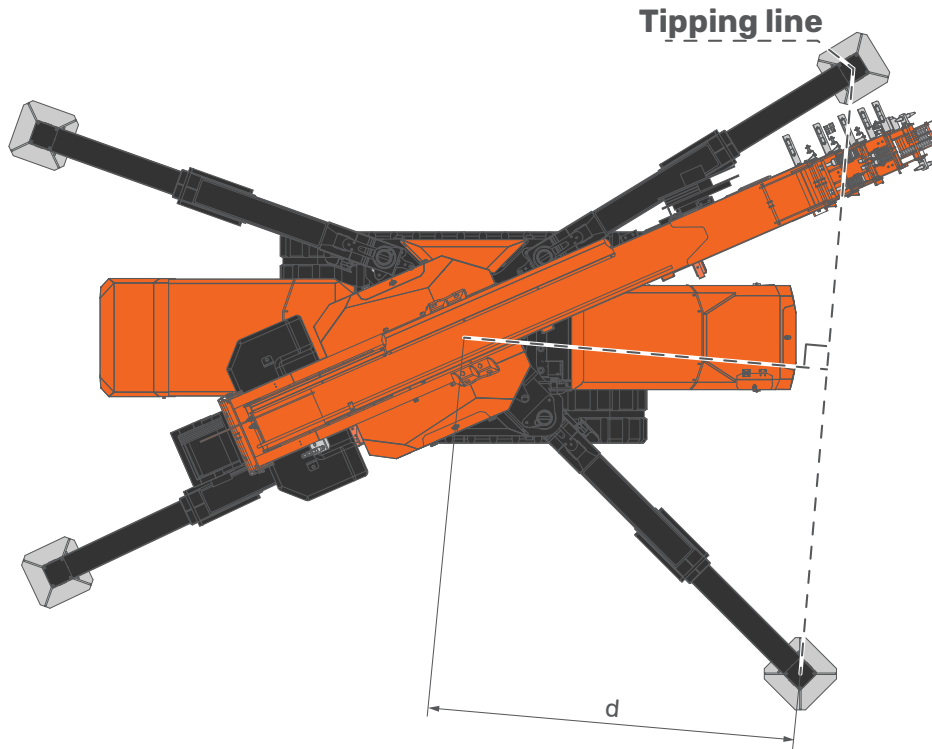
[mm]

SPX1280

Tipping line - Load chart selection

14.03.2025 | REV3.0

TIPPING LINE



LOAD CHART SELECTION

		d = 1,35m		d = 1,63m		d = 1,85m		d = 2,25m	
LOAD CHART									J7
							J6		
					J5			J5	
				J4			J4		
					J3				
				J2					
J1 - PICK & CARRY									
J0 - No LIFTING CAPACITY									

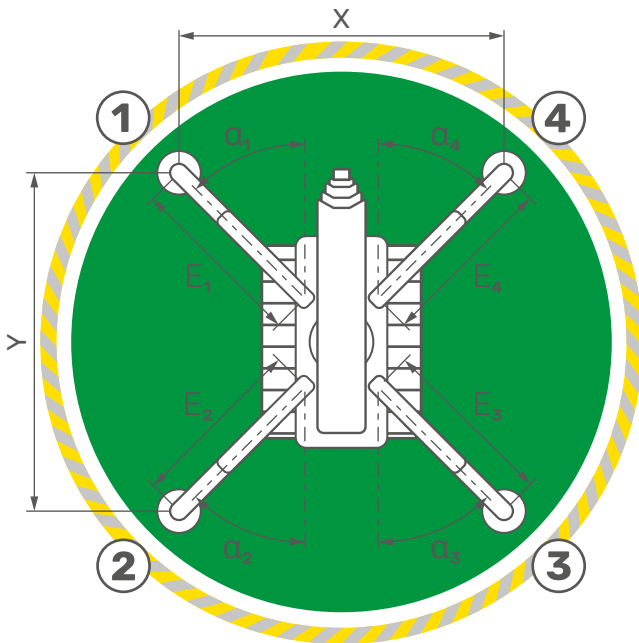
STABILITY AREA

■ Counterweight installed ▨ No counterweight

LOAD CHART	FUNCTION
J2-J7	Crane Stabilized
J1	Pick & Carry
J0	No Lifting Capacity

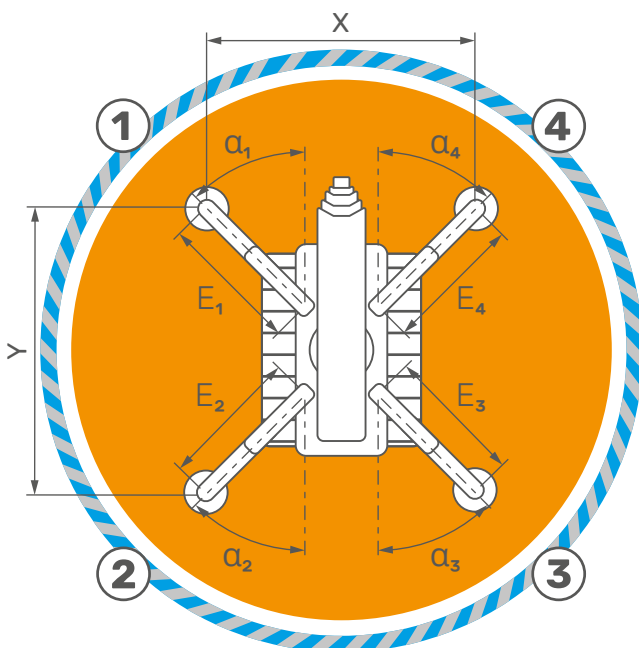
CRANE PERFORMANCE

STABILITY EXAMPLES



FULLY SYMMETRIC STABILITY

FOOTPRINT DIMENSIONS	OUTRIGGERS ANGLE	OUTRIGGERS EXTENSION
X		4,6 m
Y		4,6 m
α_1	45°	
α_2	45°	
α_3	45°	
α_4	45°	
E_1		2,5 m
E_2		2,5 m
E_3		2,5 m
E_4		2,5 m
J7 J5		360°



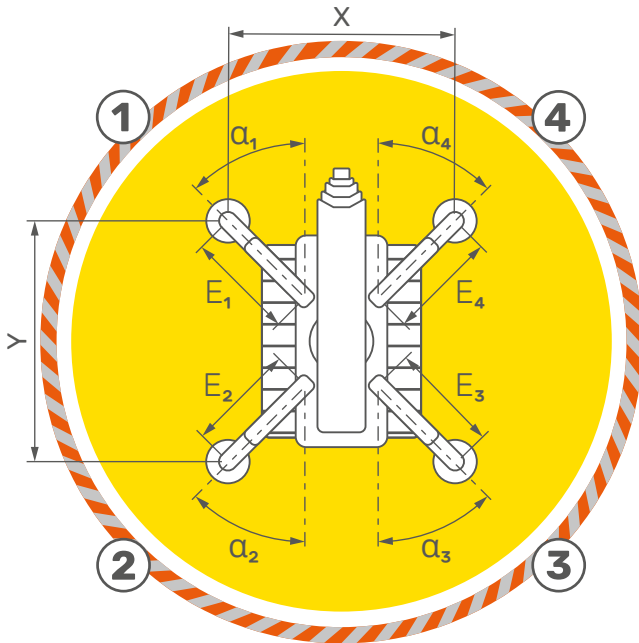
FULLY SYMMETRIC STABILITY

FOOTPRINT DIMENSIONS	OUTRIGGERS ANGLE	OUTRIGGERS EXTENSION
X		3,9 m
Y		3,9 m
α_1	45°	
α_2	45°	
α_3	45°	
α_4	45°	
E_1		2,0 m
E_2		2,0 m
E_3		2,0 m
E_4		2,0 m
J6 J4		360°

SPX1280

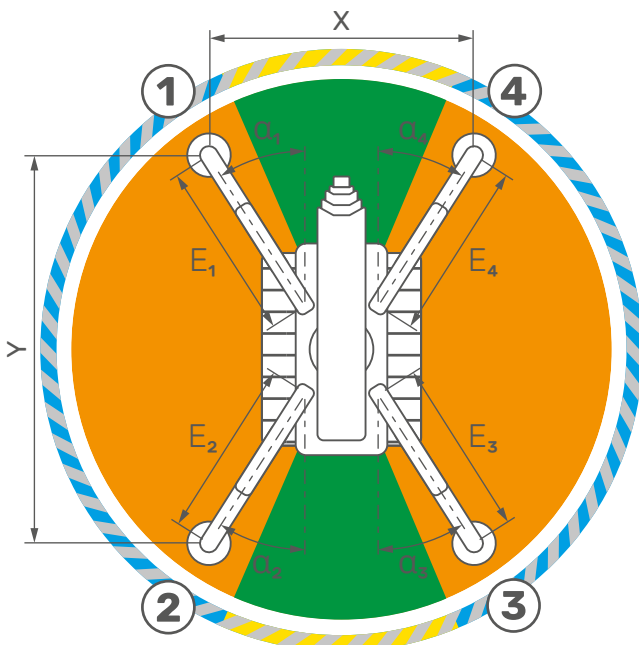
Stability examples

14.03.2025 | REV.3.0



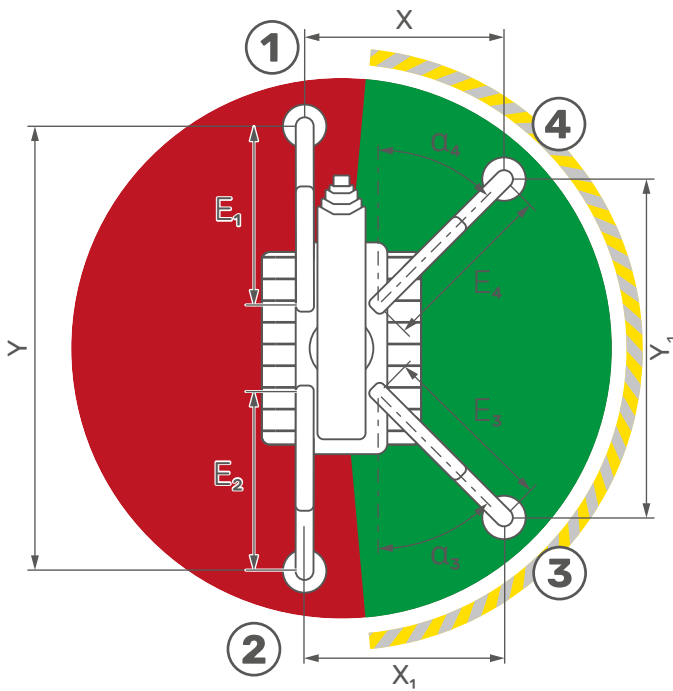
FULLY SYMMETRIC STABILITY

FOOTPRINT DIMENSIONS	X	3,4 m
OUTRIGGERS ANGLE	α_1	45°
OUTRIGGERS EXTENSION	α_2	45°
	α_3	45°
	α_4	45°
	E_1	1,6 m
	E_2	1,6 m
	E_3	1,6 m
	E_4	1,6 m
	J5 J3	360°



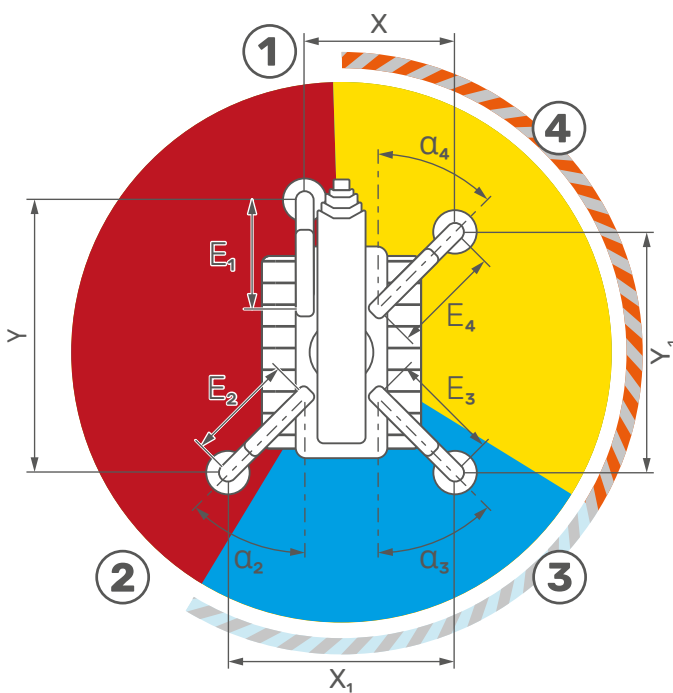
FULLY SYMMETRIC STABILITY

FOOTPRINT DIMENSIONS	X	3,9 m
OUTRIGGERS ANGLE	Y	3,9 m
OUTRIGGERS EXTENSION	α_1	32°
	α_2	32°
	α_3	32°
	α_4	32°
	E_1	2,5 m
	E_2	2,5 m
	E_3	2,5 m
	E_4	2,5 m
	J6 J4	2x 140°
	J7 J5	2x 40°



ASYMMETRIC STABILITY

FOOTPRINT DIMENSIONS	X	2,8 m
X ₁	2,8 m	
OUTRIGGERS ANGLE	Y	6,0 m
Y ₁	4,6 m	
α_1	0°	
α_2	0°	
α_3	45°	
α_4	45°	
OUTRIGGERS EXTENSION	E ₁	2,5 m
E ₂	2,5 m	
E ₃	2,5 m	
E ₄	2,5 m	
J0	200°	
J7 J5	160°	



ASYMMETRIC STABILITY

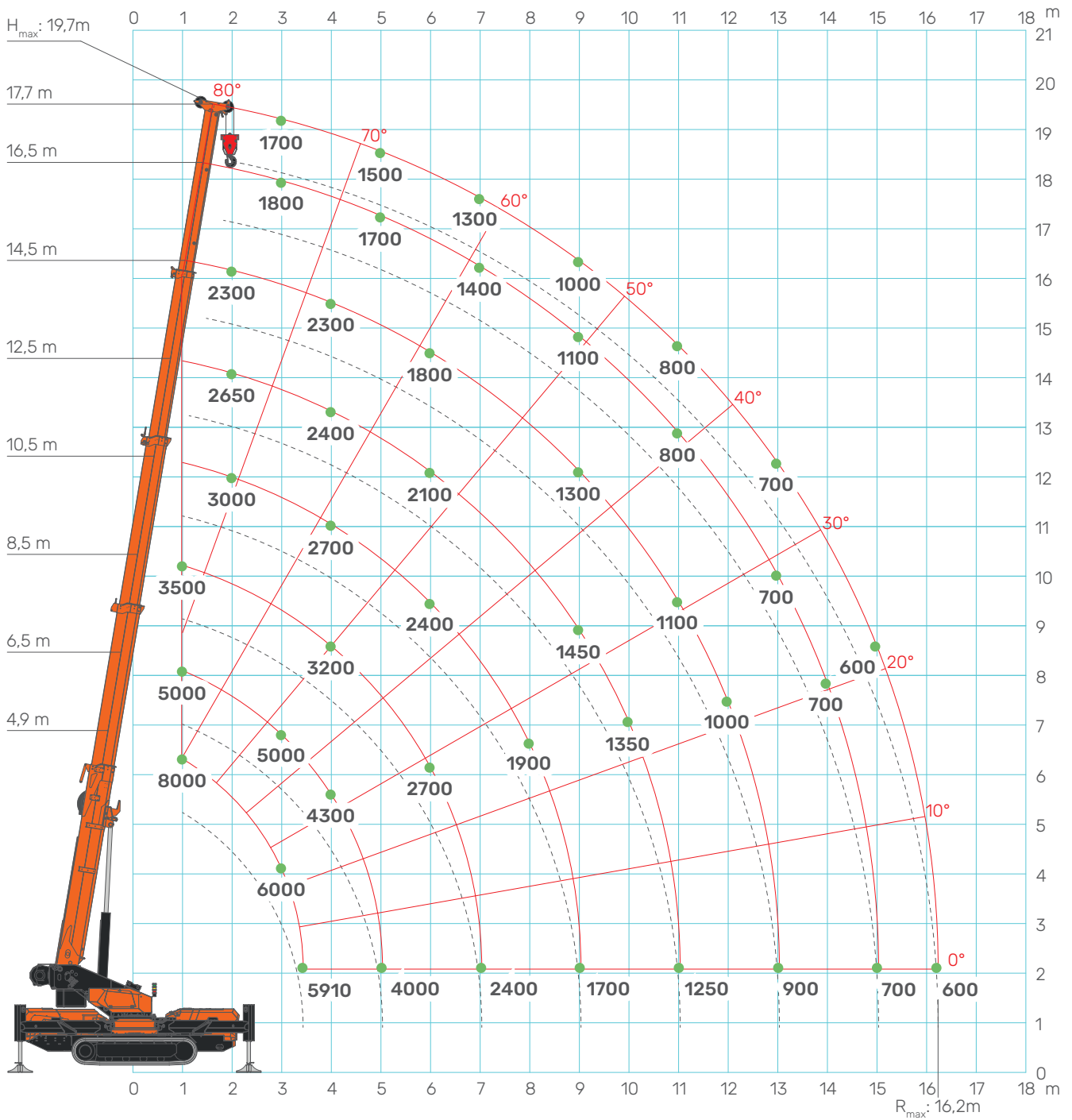
FOOTPRINT DIMENSIONS	X	2,2 m
X ₁	3,4 m	
OUTRIGGERS ANGLE	Y	3,8 m
Y ₁	3,4 m	
α_1	0°	
α_2	45°	
α_3	45°	
α_4	45°	
OUTRIGGERS EXTENSION	E ₁	1,6 m
E ₂	1,6 m	
E ₃	1,6 m	
E ₄	1,6 m	
J0	160°	
J4 J2	85°	
J5 J3	115°	

SPX1280

Main boom load chart

14.03.2025 | REV.3.0

MAIN BOOM



CRANE PERFORMANCE: J7

L [m]→	4,9	5,5	6,5	7,5	8,5	9,5	10,5	11,5	12,5	14,5	16,5	17,7
1	8000	6500	5000	4200	3500	3200						
2	8000	6500	5000	4200	3400	3200	3000	2800	2650	2300		
3	6000	5600	5000	4000	3300	3000	2800	2600	2500	2300	1800	1700
4	5910	4800	4300	4000	3200	2900	2700	2600	2400	2300	1800	1700
5			4000	3300	3100	2800	2600	2500	2300	2100	1700	1500
6				3100	2700	2600	2400	2300	2100	1800	1600	1400
7					2400	2300	2200	2100	2000	1700	1400	1300
8						2000	1900	1800	1750	1500	1300	1200
9							1700	1600	1450	1300	1100	1000
10								1500	1350	1200	1000	900
11									1250	1100	800	800
13										900	700	700
15											700	600
16,2												600
↑R[m]	[kg]	LC1280_V2051124_C1J7										

CRANE PERFORMANCE: J6

L [m]→	4,9	5,5	6,5	7,5	8,5	9,5	10,5	11,5	12,5	14,5	16,5	17,7
1	8000	6500	5000	4200	3500	3200						
2	8000	6500	5000	4200	3400	3200	3000	2800	2650	2300		
3	6000	5600	5000	4000	3300	3000	2800	2500	2300	2200	1700	1550
4	5400	4450	4100	3850	3000	2750	2600	2450	2200	2100	1600	1450
5			3620	3200	3000	2700	2500	2400	2200	2000	1600	1400
6				2520	2480	2420	2300	2200	2000	1700	1520	1310
7					1900	1870	1850	1800	1680	1580	1340	1200
8						1520	1500	1450	1430	1370	1240	1100
9							1200	1160	1130	1130	1000	960
10								1020	1000	890	850	800
11									900	880	730	700
13										640	620	600
15											500	500
16,2												400
↑R[m]	[kg]	LC1280_V2051124_C1J6										

SPX1280

Main boom load tables

14.03.2025 | REV3.0

CRANE PERFORMANCE: J5

L [m]→	4,9	5,5	6,5	7,5	8,5	9,5	10,5	11,5	12,5	14,5	16,5	17,7
1	8000	6500	5000	4200	3500	3200						
2	8000	6500	5000	4200	3400	3200	3000	2800	2650	2300		
3	6000	5600	5000	4000	3300	3000	2800	2500	2300	2200	1700	1550
4	4600	4450	4100	3850	3000	2750	2600	2450	2200	2100	1600	1450
5			2900	2900	2800	2700	2500	2400	2200	2000	1600	1400
6				2000	2000	2000	2000	2000	2000	1700	1520	1310
7					1500	1500	1450	1450	1400	1400	1340	1200
8						1220	1220	1200	1200	1150	1150	1100
9							1020	1020	1020	1020	1000	960
10								830	830	830	830	800
11									700	700	700	700
13										510	510	510
15											370	370
16,2												300
↑R[m]	[kg]	LC1280_V2051124_C1J5										

CRANE PERFORMANCE: J4

L [m]→	4,9	5,5	6,5	7,5	8,5	9,5	10,5	11,5	12,5	14,5	16,5	17,7
1	8000	6500	5000	4200	3500	3200						
2	8000	6500	5000	4000	3300	2800	2600	2300	2000	1800		
3	5280	5000	4600	3780	3150	2800	2500	2300	2000	1800	1450	1200
4	3150	3100	2860	2760	2400	2320	2000	1800	1650	1450	1300	1050
5			1940	1900	1840	1780	1700	1600	1500	1300	1100	900
6				1280	1230	1210	1210	1210	1100	1000	900	740
7					920	900	900	900	880	840	800	700
8						750	740	740	720	700	700	680
9							550	520	500	480	450	450
10								420	400	380	360	340
11									350	320	300	280
13										180	150	150
↑R[m]	[kg]	LC1280_V2051124_C1J4										

CRANE PERFORMANCE: J3

L [m]→	4,9	5,5	6,5	7,5	8,5	9,5	10,5	11,5	12,5	14,5	16,5	17,7
1	8000	6500	5000	4200	3500	3200						
2	7000	5500	4200	3500	3000	2600	2200	2000	1600	1450		
3	5200	4800	4000	3300	3000	2100	1850	1800	1500	1400	1300	1000
4	3000	2800	2500	2400	2100	1900	1800	1700	1450	1350	1100	800
5			1730	1730	1730	1700	1650	1450	1280	1200	900	650
6				1140	1140	1140	1140	1140	1100	1000	750	500
7					840	840	840	840	840	800	700	450
8						640	620	620	620	600	600	420
9							500	480	480	460	450	380
10								350	350	350	350	300
11									250	250	250	250
↑R[m]	[kg]	LC1280_V2051124_C1J3										

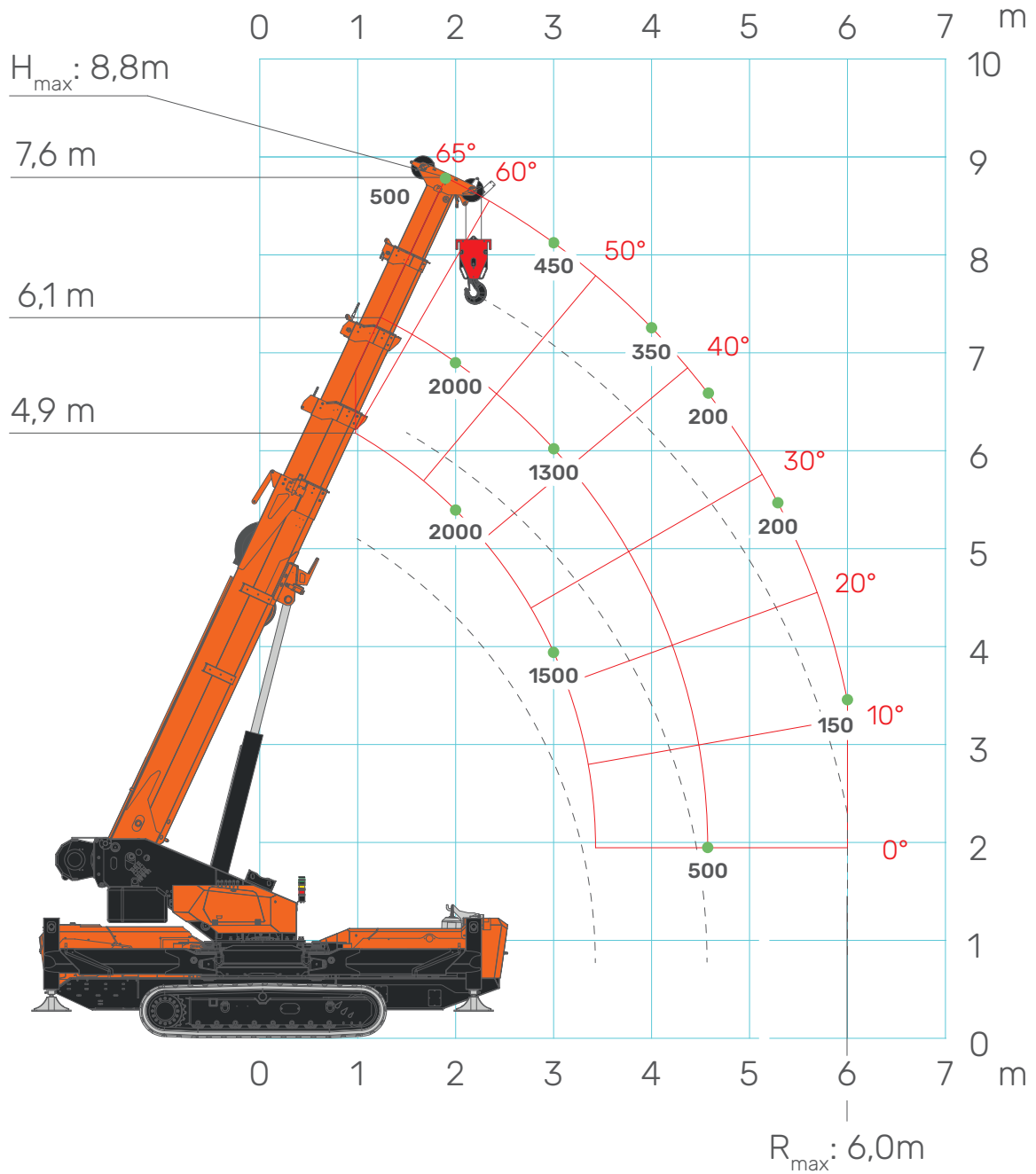
CRANE PERFORMANCE: J2

L [m]→	4,9	5,5	6,5	7,5	8,5	9,5	10,5	11,5	12,5	14,5	16,5	17,7
1	8000	4200	3500	3200	3000	2500						
2	5000	4000	3000	2800	2400	2200	2000	1600	1100	1000		
3	3000	2800	2600	2000	1800	1600	1300	1200	1000	900	850	800
4	1600	1500	1450	1300	1200	1150	1100	1000	900	850	800	700
5			1000	950	900	900	860	840	800	750	600	500
6				350	320	320	300	300	300	280	270	250
7					200	180	180	160	160	150	150	140
8						150	140	130	130	120	120	100
↑R[m]	[kg]	LC1280_V2051124_C1J2										

SPX1280

Main boom load chart - Pick & Carry

14.03.2025 | REV3.0



CRANE PERFORMANCE: J1 (Pick & Carry)

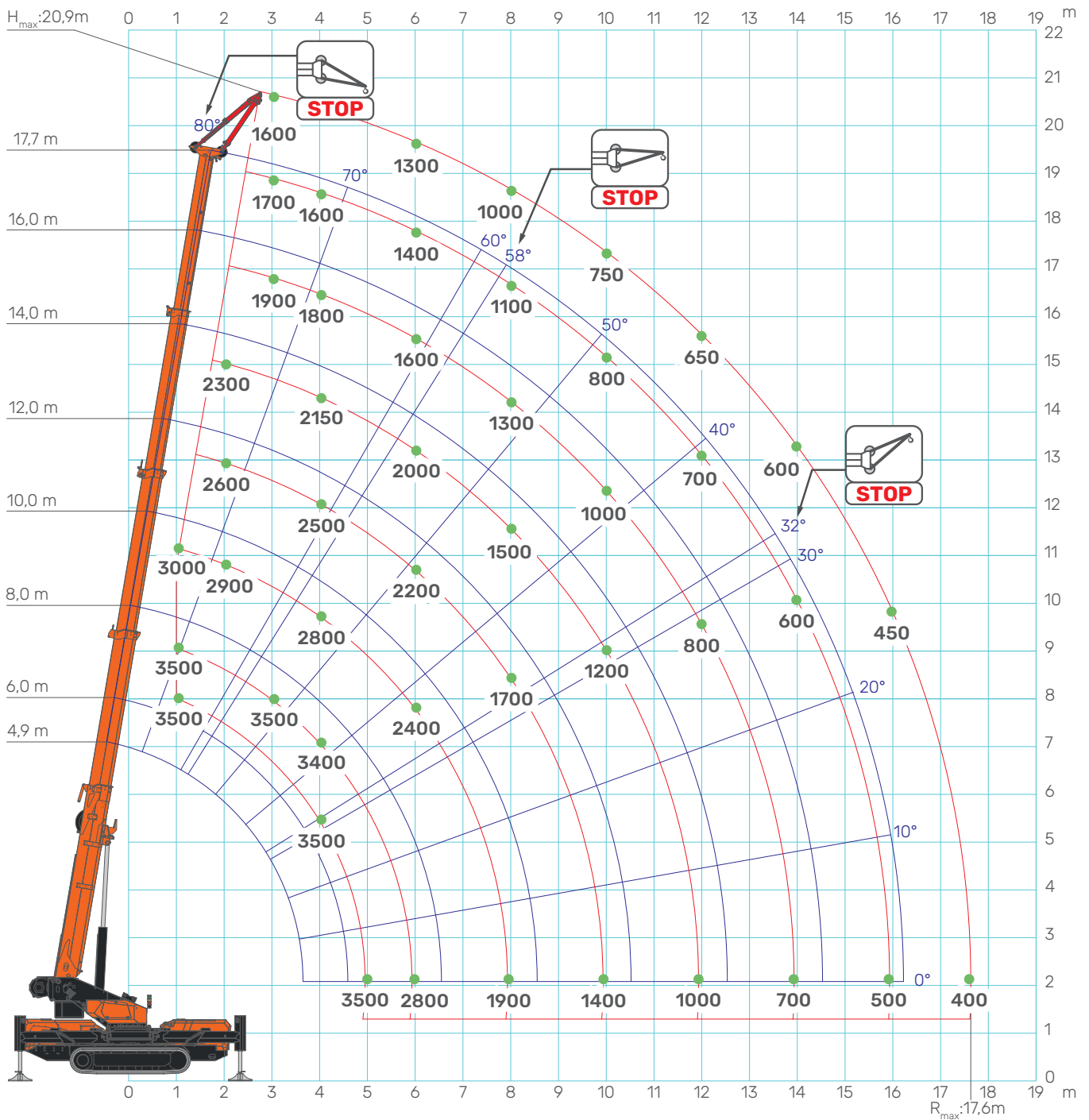
L [m]→	4,9	5,5	6,1	6,8	7,6
2	2000	2000	2000	1000	500
3	1500	1500	1300	750	450
4		900	650	550	350
4,6			500	350	200
5,3				300	200
6					150
↑R[m]	[kg]	LC1280_V2051124_C1J1			

SPX1280

JIB3502GX load chart

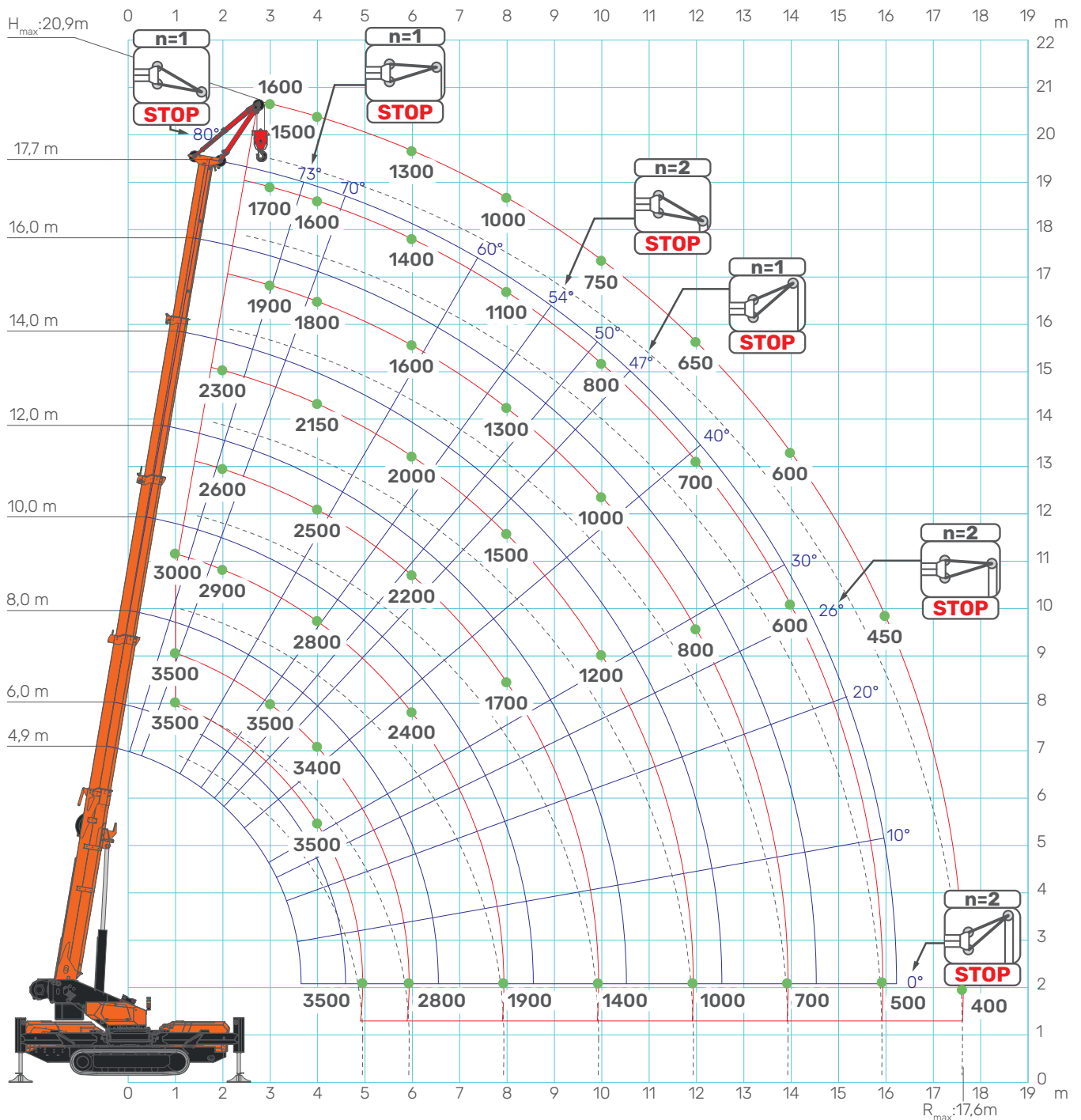
14.03.2025 | REV.3.0

JIB3502GX



*The word "STOP" stands for the maximum working angle of the main boom for the displayed jib configuration.

[kg]



[kg]

*The word "STOP" stands for the maximum working angle of the main boom for the displayed jib configuration.

SPX1280

JIB3502GX load tables

14.03.2025 | REV3.0

CRANE PERFORMANCE: J7

L [m]→	4,9	6,0	8,0	10,0	12,0	14,0	16,0	17,7
1	3500	3500	3000					
2	3500	3500	2900	2600				
3	3500	3500	2900	2600	2200	1900	1700	1600
4	3500	3400	2800	2500	2150	1800	1600	1500
5	3500	3200	2600	2350	2100	1700	1500	1400
6		2800	2400	2200	2000	1600	1400	1300
8			1900	1700	1500	1300	1100	1000
10				1400	1200	1000	800	750
12					1000	800	700	650
14						700	600	600
16							500	450
17,6								400
↑R[m]	[kg]	LC1280_V2051124_C8J7 - LC1280_V2051124_C9J7						

CRANE PERFORMANCE: J6

L [m]→	4,9	6,0	8,0	10,0	12,0	14,0	16,0	17,7
1	3500	3500	3000					
2	3500	3500	2900	2600				
3	3500	3500	2900	2400	2000	1700	1400	1300
4	3500	3400	2800	2200	1900	1600	1300	1200
5	3200	3000	2300	2000	1800	1500	1300	1100
6		2000	1900	1800	1600	1400	1200	1000
8			1300	1300	1200	1000	900	750
10				1000	1000	900	700	600
12					600	600	600	500
14						450	450	450
16							300	300
17,6								250
↑R[m]	[kg]	LC1280_V2051124_C8J6 - LC1280_V2051124_C9J6						

CRANE PERFORMANCE: J5

L [m]→	4,9	6,0	8,0	10,0	12,0	14,0	16,0	17,7
1	3500	3500	3000					
2	3500	3500	2900	2600				
3	3500	3500	2900	2400	2000	1550	1250	1100
4	3400	3000	2400	2000	1900	1400	1200	1000
5	2500	2000	1900	1850	1800	1300	1100	900
6		1800	1600	1400	1300	1200	1000	800
8			1100	1000	1000	850	800	750
10				700	700	680	650	600
12					500	500	500	500
14						350	350	350
16							250	250
17,6								180
↑R[m]	[kg]	LC1280_V2051124_C8J5 - LC1280_V2051124_C9J5						

CRANE PERFORMANCE: J4

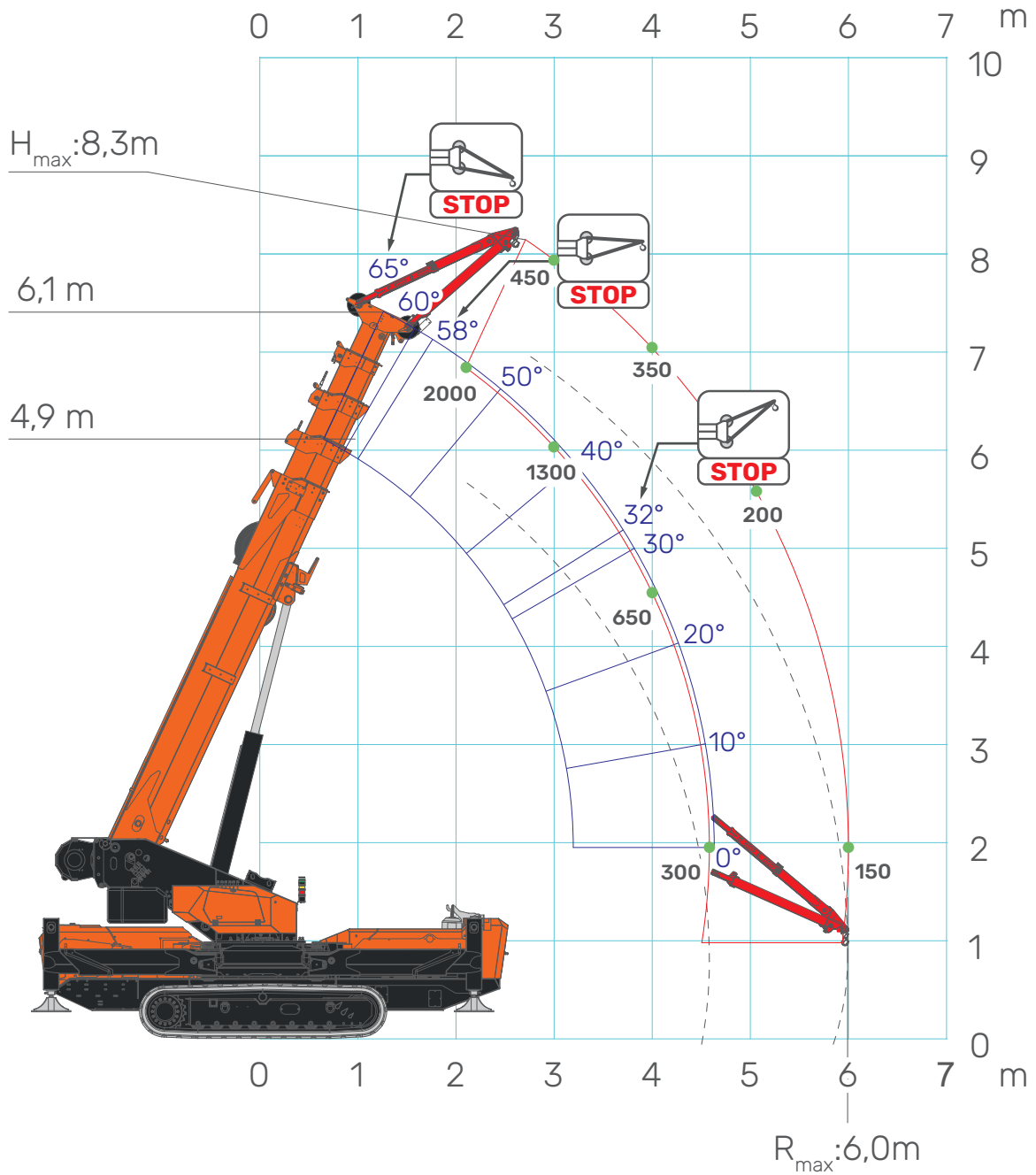
L [m]→	4,9	6,0	8,0	10,0	12,0	14,0	16,0	17,7
1	3500	3200	2500					
2	3200	3200	2100	2000				
3	1800	1600	1500	1400	1200	1100	850	700
4	1700	1600	1400	1250	1000	900	700	600
5	1600	1600	1300	1200	950	850	600	500
6		1000	900	800	700	500	400	350
8			650	600	550	400	350	250
10				350	320	300	240	200
12					250	200	200	150
14						120	120	120
↑R[m]	[kg]	LC1280_V2051124_C8J4 - LC1280_V2051124_C9J4						

CRANE PERFORMANCE: J3

L [m]→	4,9	6,0	8,0	10,0	12,0	14,0	16,0	17,7
1	3500	3000	2000					
2	2000	1400	1300	1200				
3	1200	1100	900	800	800	700	600	450
4	1000	1000	800	700	700	600	500	400
5	800	800	700	600	600	500	400	300
6		500	500	400	400	400	300	200
8			350	300	300	250	200	150
10				150	150	120	100	100
↑R[m]	[kg]	LC1280_V2051124_C8J3 - LC1280_V2051124_C9J3						

CRANE PERFORMANCE: J2

L [m]→	4,9	6,0	8,0	10,0	12,0	14,0	16,0	17,7
1	2000	1600	1000					
2	1000	1000	800	700				
3	800	600	500	500	400	350	300	200
4	600	400	400	400	300	300	200	150
5	400	400	300	300	250	200	150	100
6		300	240	200	200	150	100	100
8			200	200	200	150	100	100
↑R[m]	[kg]	LC1280_V2051124_C8J2 - LC1280_V2051124_C9J2						



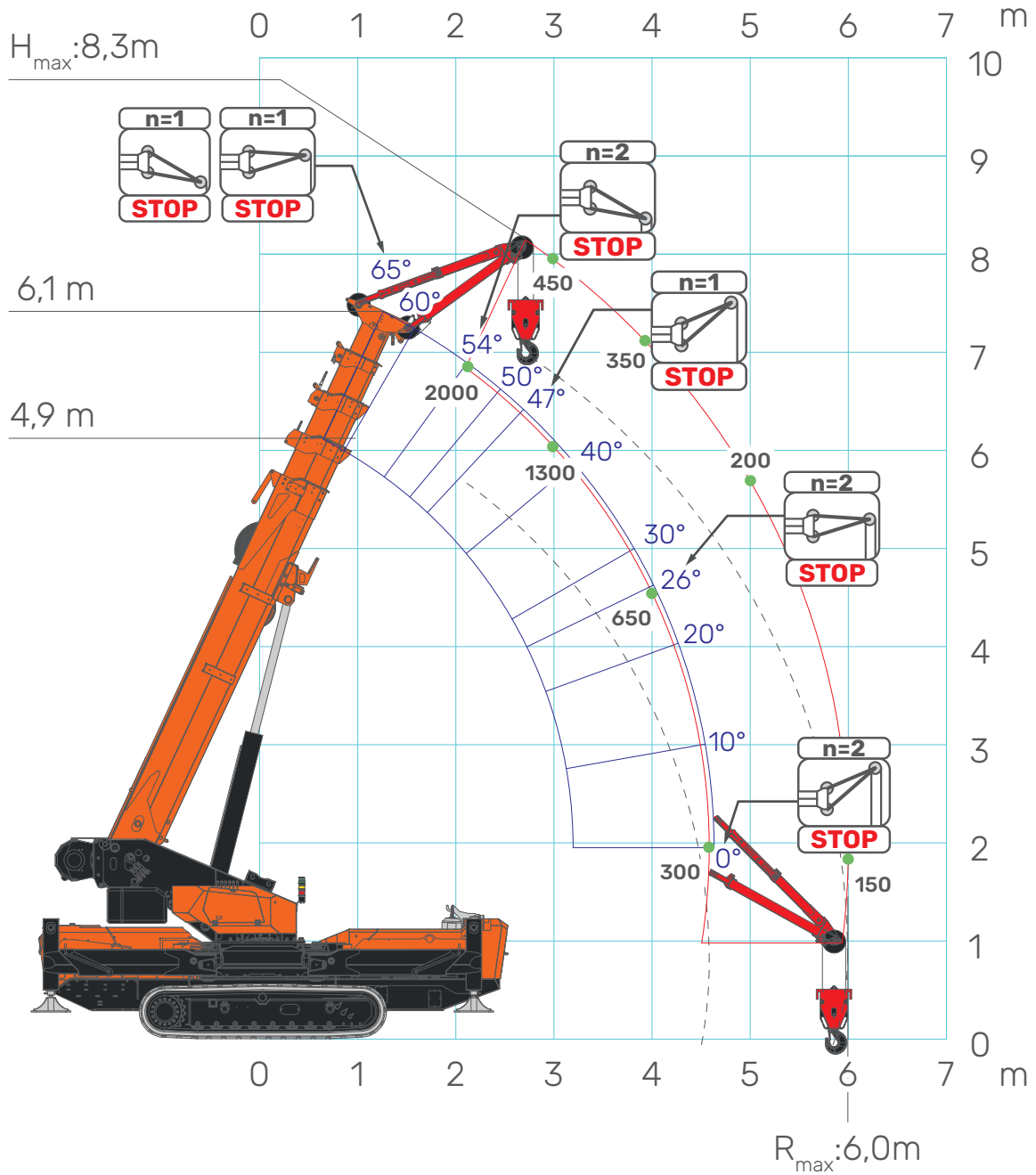
[kg]

*The word "STOP" stands for the maximum working angle of the main boom for the displayed jib configuration.

SPX1280

JIB3502GX load chart - Pick & Carry

14.03.2025 | REV.3.0



*The word "STOP" stands for the maximum working angle of the main boom for the displayed jib configuration.

[kg]

CRANE PERFORMANCE: J1 (Pick & Carry)

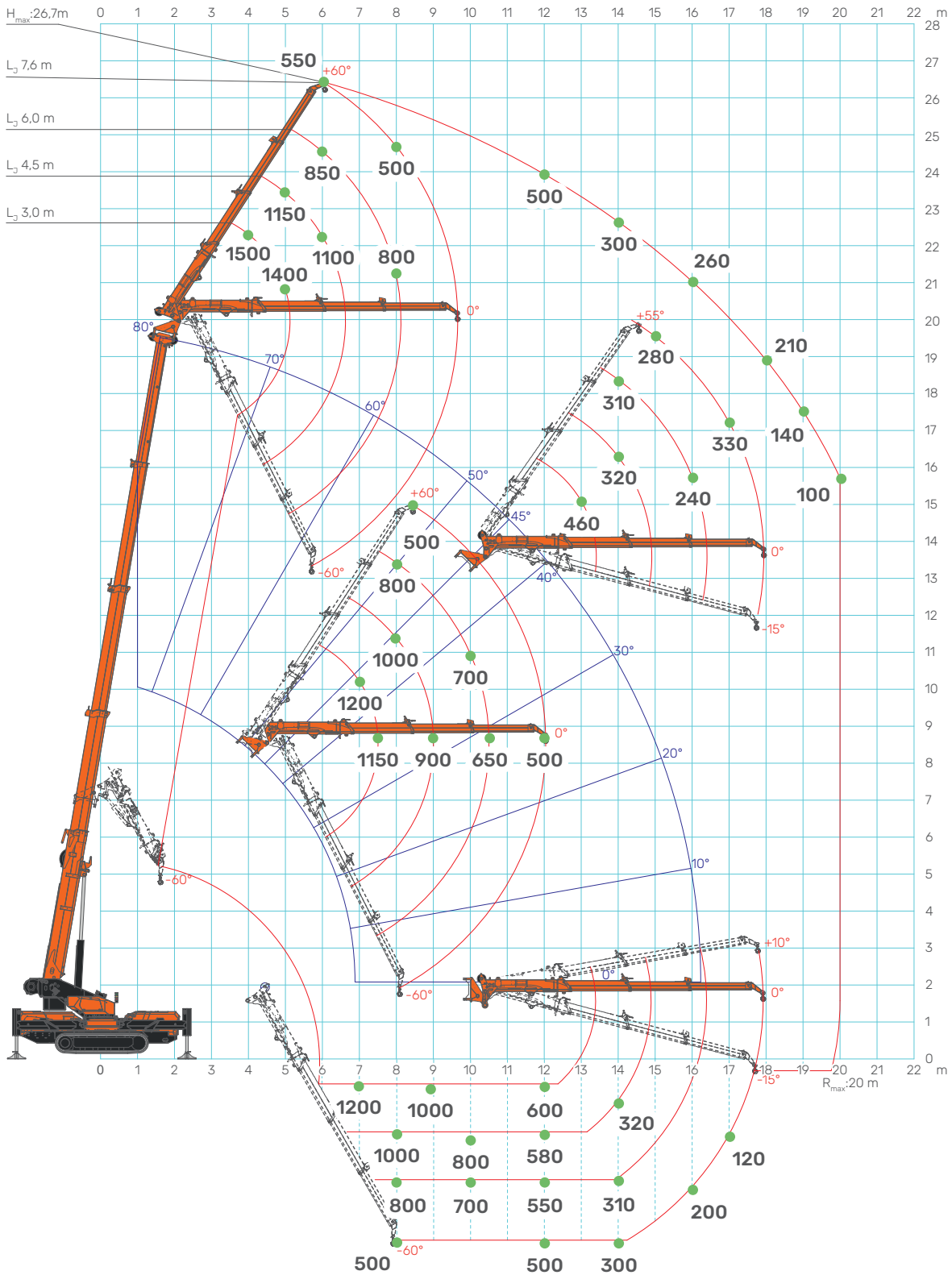
L [m]→	4,8	5,3	6,1
2	2000	1000	500
3	1300	750	450
4	650	550	350
4,6	500	350	200
5,3		300	200
6			150
↑R[m]	[kg]	LC1280_V2051124_C8J1 - LC1280_V2051124_C9J1	

SPX1280

JIB1502.3HX load chart

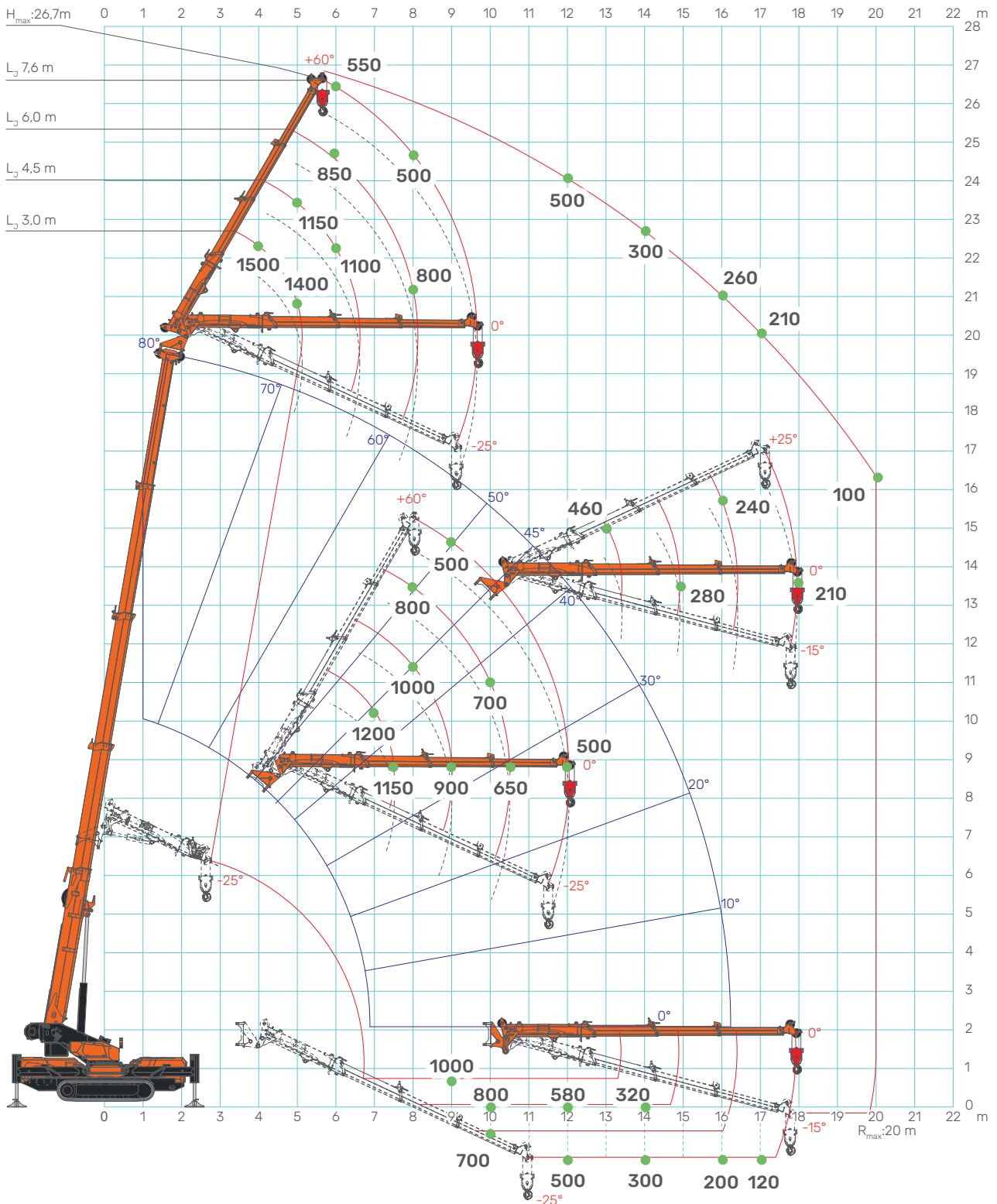
14.03.2025 | REV.3.0

JIB1502.3HX



*Over 10 m main boom radius, the minimum jib angle is limited at -15°

[kg]



[kg] *Over 10 m main boom radius, the minimum jib angle is limited at -15°

CRANE PERFORMANCE: J7

L _j [m]→	3,0	4,5	6	7,6
4	1500	1200	950	650
5	1400	1150	900	600
6	1300	1100	850	550
7	1200	1050	800	500
8	1100	1000	800	500
9	1000	900	800	500
10	900	800	700	500
11	800	700	600	500
12	600	580	550	500
13	460	440	420	400
14	330	320	310	300
15	280	280	280	270
16	200	220	240	260
17	120	180	210	240
18		110	170	210
19			110	140
20				100
↑R[m]	[kg]	LC1280_V2051124_C16J7 - LC1280_V2051124_C17J7		

CRANE PERFORMANCE: J6

L _j [m]→	3,0	4,5	6	7,6
4	1400	1000	800	500
5	1300	1000	800	500
6	1000	1000	800	500
7	800	700	600	500
8	600	550	500	450
9	400	400	400	400
10	300	360	360	320
11	240	280	280	270
12	200	220	240	260
13	120	180	210	240
14		110	170	200
15			110	100
↑R[m]	[kg]	LC1280_V2051124_C16J6 - LC1280_V2051124_C17J6		

CRANE PERFORMANCE: J5

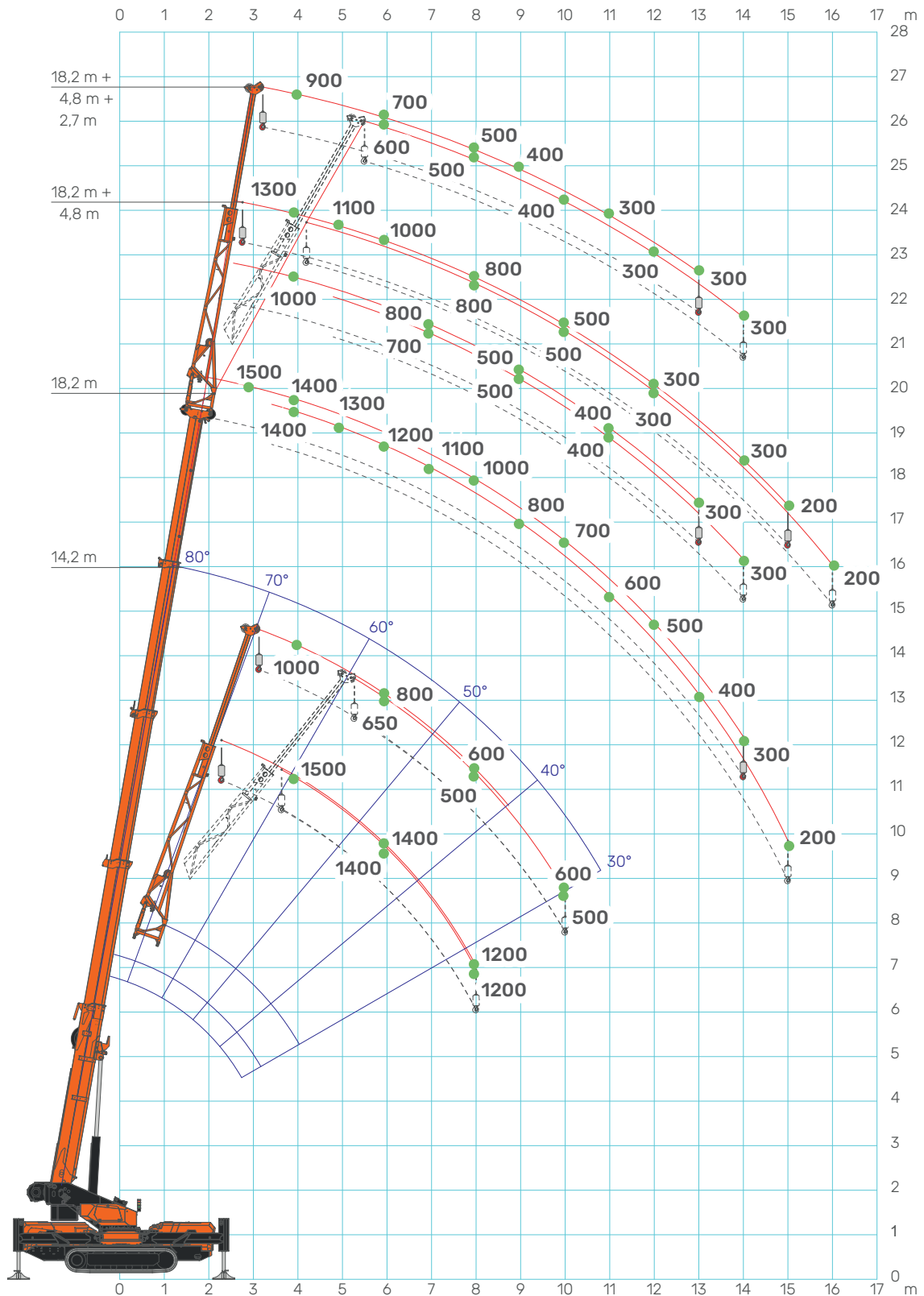
L _j [m]→	3,0	4,5	6	7,6
4	1400	1000	800	500
5	1300	1000	800	500
6	1000	1000	800	500
7	800	700	600	500
8	600	550	500	450
9	400	400	400	400
10	250	250	250	250
11	120	120	120	120
↑R[m]	[kg]	LC1280_V2051124_C16J5 - LC1280_V2051124_C17J5		

SPX1280

JIB1502.1FL load chart

14.03.2025 | REV.3.0

JIB1502.1FL



[kg]

CRANE PERFORMANCE: J7

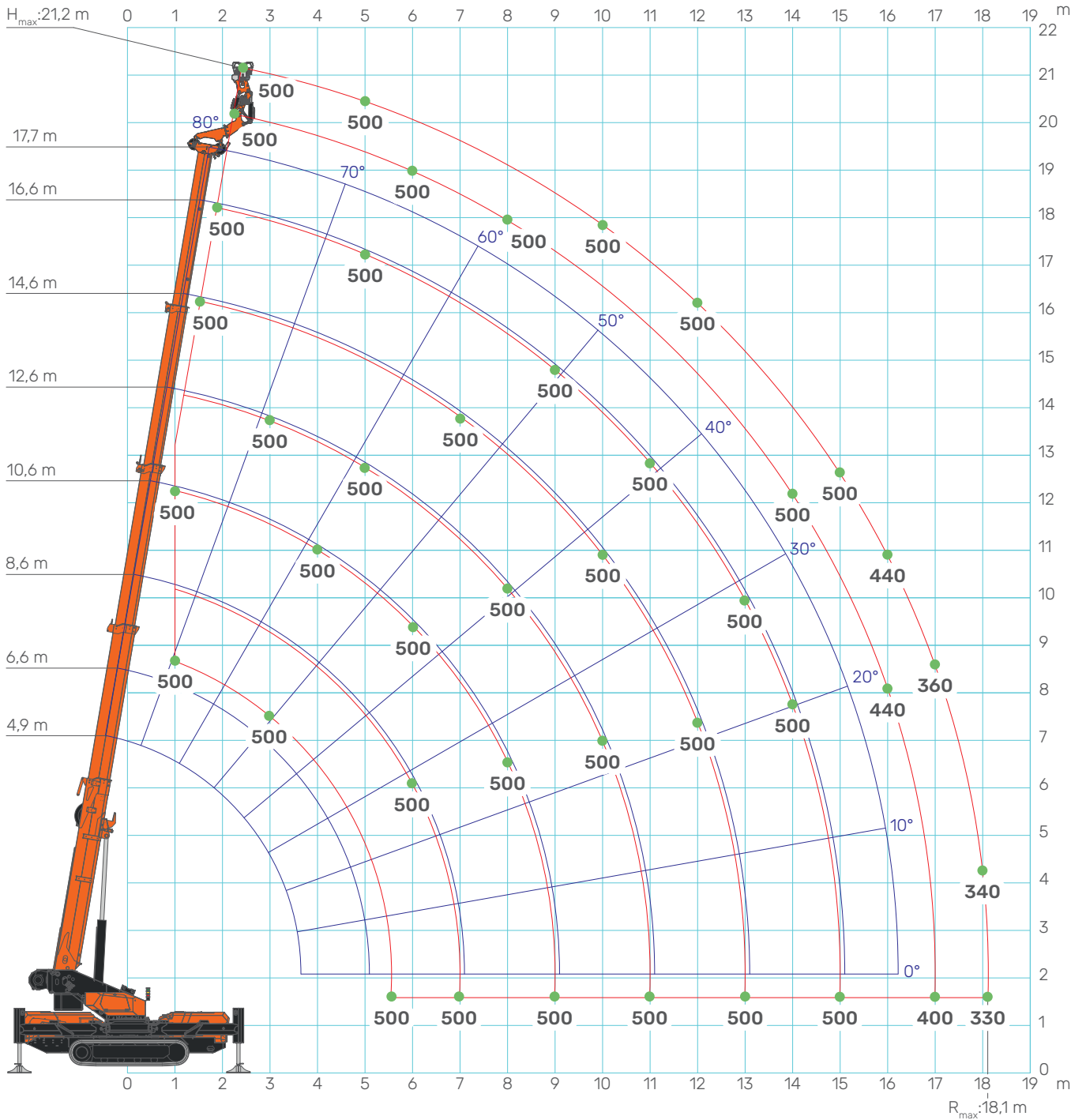
L _j [m]→	3,0	4,5
1	1500	1000
2	1500	1000
3	1500	1000
4	1500	1000
5	1500	950
6	1400	900
7	1300	800
8	1200	650
9	950	600
10	850	550
11	670	420
12	600	400
13	450	380
14	370	350
15	320	300
16	300	250
↑R[m]	[kg]	LC1280_V2051124_C33J7

SPX1280

JIB500GR load chart

14.03.2025 | REV.3.0

JIB500GR



CRANE PERFORMANCE: J7

L[m]→	4,9	5,6	6,6	7,6	8,6	9,6	10,6	11,6	12,6	13,6	14,6	15,6	16,6	17,6	17,7
1	500	500	500	500	500	500	500	500	500	500	500	500	500	500	500
6	500	500	500	500	500	500	500	500	500	500	500	500	500	500	500
7			500	500	500	500	500	500	500	500	500	500	500	500	500
8				500	500	500	500	500	500	500	500	500	500	500	500
9					500	500	500	500	500	500	500	500	500	500	500
10						500	500	500	500	500	500	500	500	500	500
11							500	500	500	500	500	500	500	500	500
12								500	500	500	500	500	500	500	500
13									500	500	500	500	500	500	500
14										500	500	500	500	500	500
15											500	500	500	500	500
16												480	440	440	440
17													400	370	360
18														340	340
18,1															330
↑R[m]	[kg]	LC1280_V2051124_C24J7													

CRANE PERFORMANCE: J6

L[m]→	4,9	5,6	6,6	7,6	8,6	9,6	10,6	11,6	12,6	13,6	14,6	15,6	16,6	17,6	17,7
1	500	500	500	500	500	500	500	500	500	500	500	500	500	500	500
6	500	500	500	500	500	500	500	500	500	500	500	500	500	500	500
7			500	500	500	500	500	500	500	500	500	500	500	500	500
8				500	500	500	500	500	500	500	500	500	500	500	500
9					500	500	500	500	500	500	500	500	500	500	500
10						500	500	500	500	500	500	500	500	500	500
11							500	500	500	500	500	500	500	500	500
12								500	500	500	500	500	500	500	500
13									480	420	420	420	420	420	420
14										390	340	340	340	340	340
15											310	270	270	270	270
16												240	200	200	200
17													190	150	150
18														140	140
18,1															130
↑R[m]	[kg]	LC1280_V2051124_C24J6													

SPX1280

JIB500GR load tables

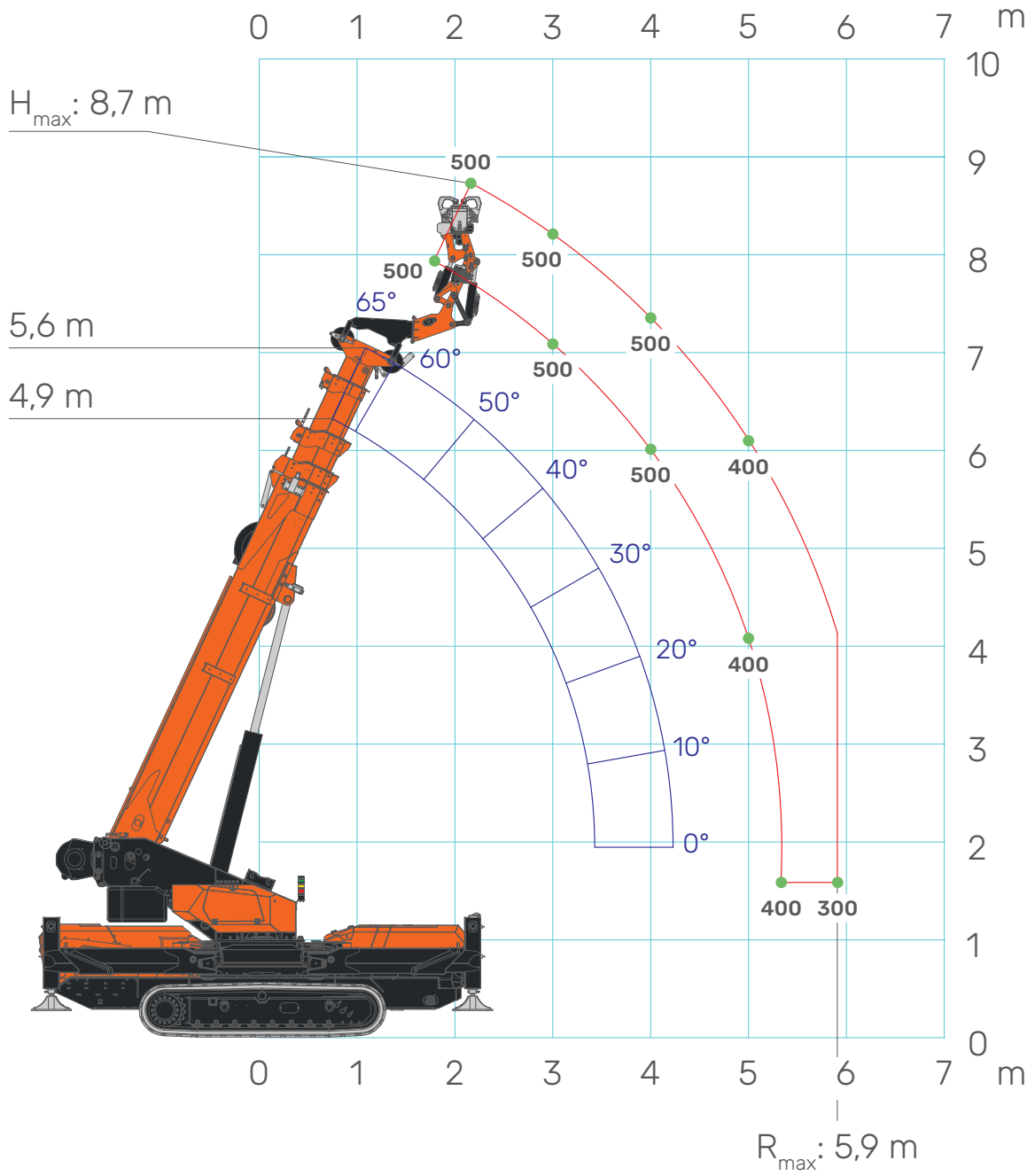
14.03.2025 | REV3.0

CRANE PERFORMANCE: J5

L[m]→	4,9	5,6	6,6	7,6	8,6	9,6	10,6	11,6	12,6	13,6	14,6	15,6	16,6	17,6	17,7
1	500	500	500	500	500	500	500	500	500	500	500	500	500	500	500
6	500	500	500	500	500	500	500	500	500	500	500	500	500	500	500
7			500	500	500	500	500	500	500	500	500	500	500	500	500
8				500	500	500	500	500	500	500	500	500	500	500	500
9					500	500	500	500	500	500	500	500	500	500	500
10						500	500	500	500	500	500	500	500	500	500
11							500	460	460	460	460	460	460	460	460
12								410	350	350	350	350	350	350	350
13									320	270	270	270	270	270	270
14										240	200	200	200	200	200
14,9											180	130	130	130	130
↑R[m]	[kg]	LC1280_V2051124_C24J5													

CRANE PERFORMANCE: J4

L[m]→	4,9	5,6	6,6	7,6	8,6	9,6	10,6	11,6	12,6	13,6	14,6	15,6	16,6	17,6	17,7
1	500	500	500	500	500	500	500	500	500	500	500	500	500	500	500
6	500	500	500	500	500	500	500	500	500	500	500	500	500	500	500
7			500	500	500	500	500	500	500	500	500	500	500	500	500
8				500	500	500	500	500	500	500	500	500	500	500	500
9					500	430	430	430	430	430	430	430	430	430	430
10						370	310	310	310	310	310	310	310	310	310
11							270	210	210	210	210	210	210	210	210
11,9								190	130	130	130	130	130	130	130
↑R[m]	[kg]	LC1280_V2051124_C24J4													



[kg]

SPX1280

JIB500GR load tables - Pick & Carry

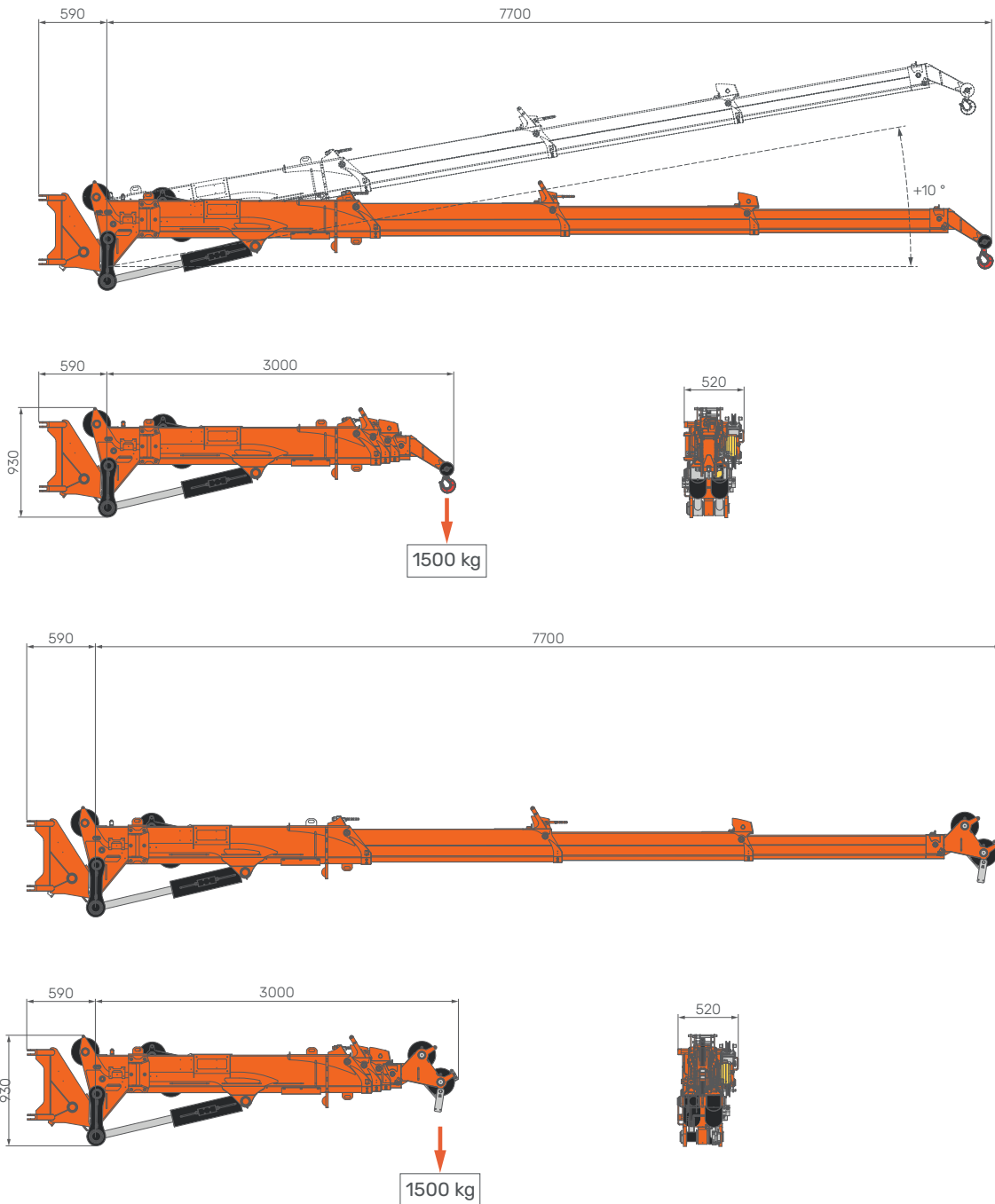
14.03.2025 | REV3.0

CRANE PERFORMANCE: J1 (Pick & Carry)

L[m]→	4,9	5,6
1	500	500
2	500	500
3	500	500
4	500	500
5	400	400
5,9	300	300
↑R[m]	[kg]	LC1280_V2051124_C24J1

ACCESSORIES

JIB1502.3HX



WEIGHT		JIB	JIB1502.3HX	kg	675

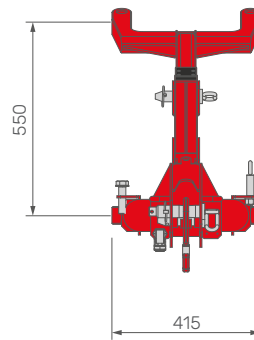
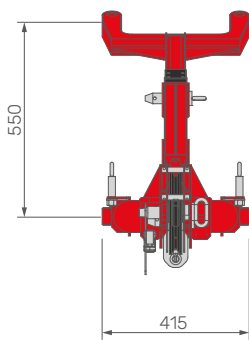
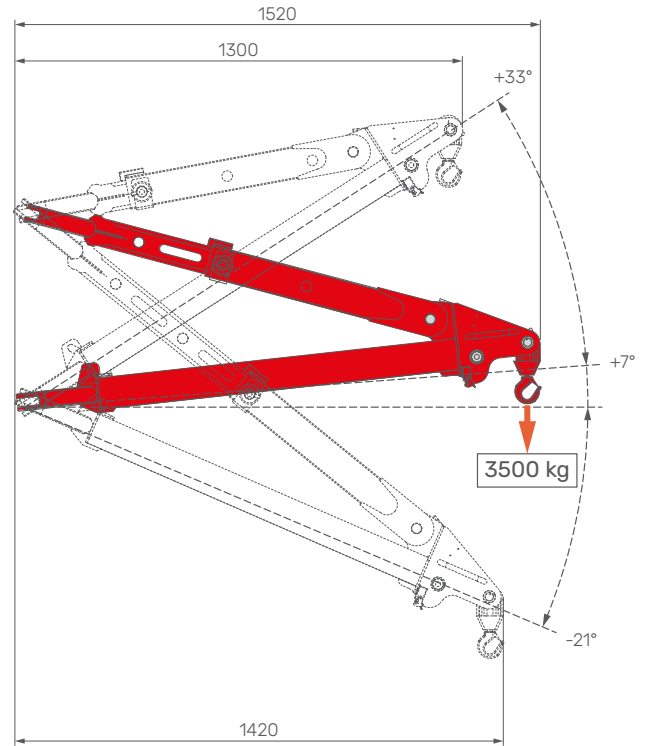
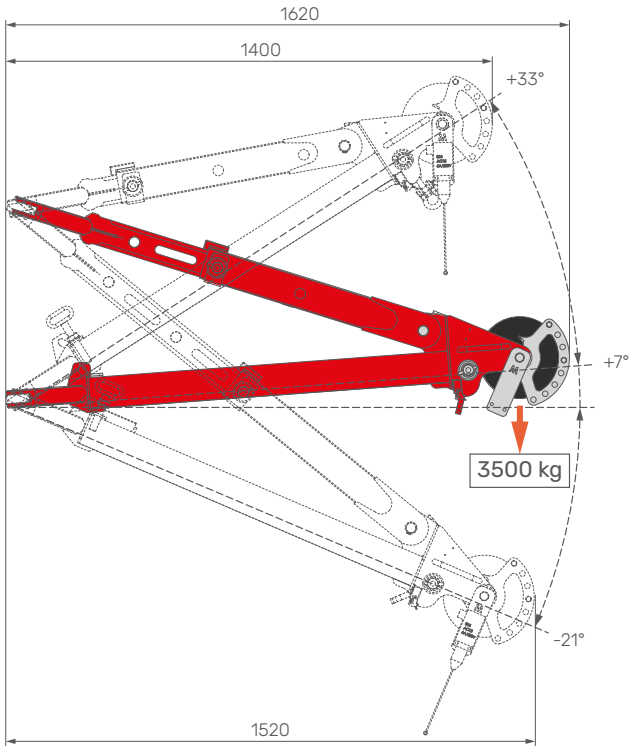
[mm]


SPX1280

JIB3502GX features

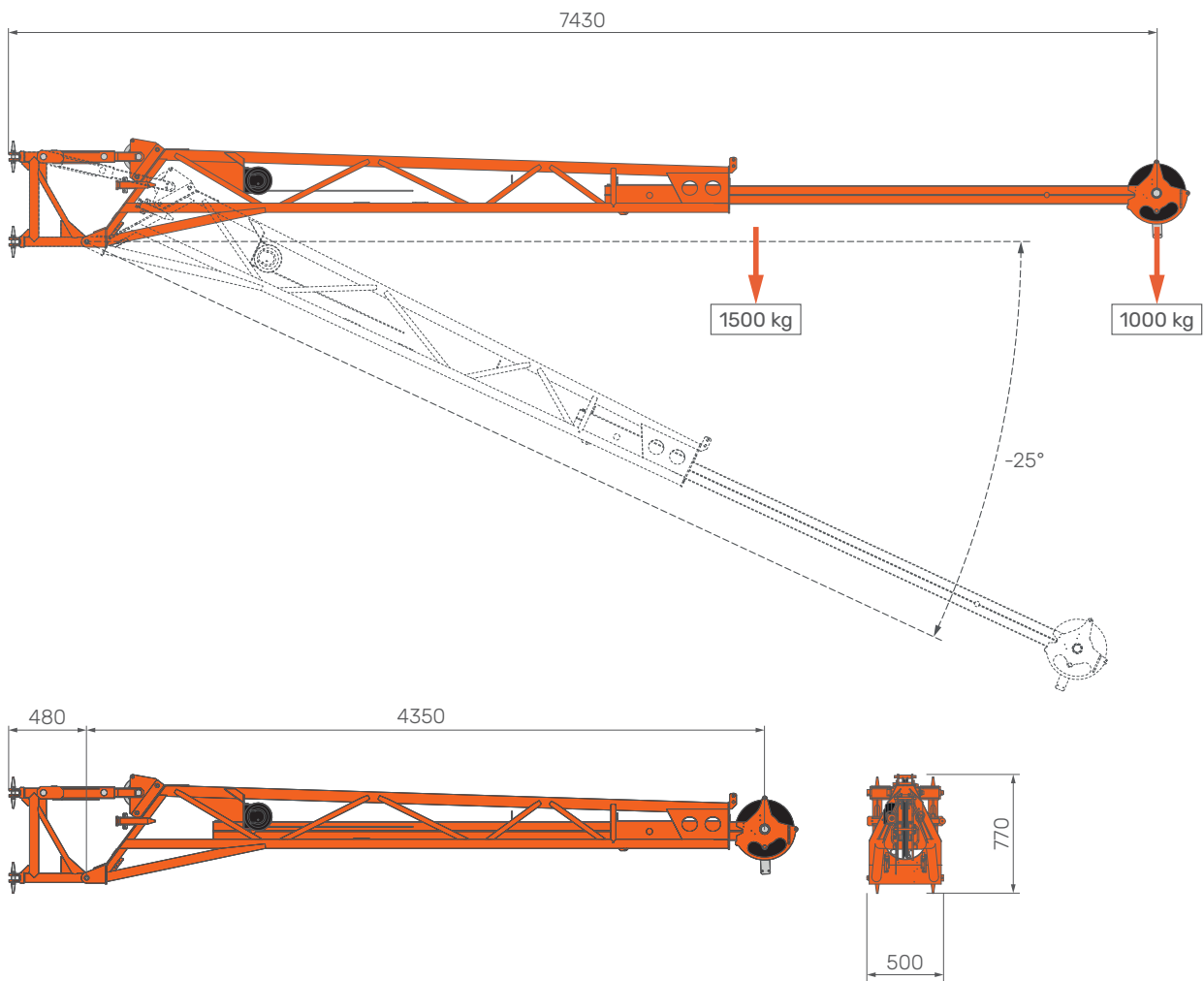
14.03.2025 | REV.3.0

JIB3502GX



WEIGHT		JIB	JIB3502GX	kg	70

JIB1502.1FL



WEIGHT		JIB	JIB1502.FL	kg	265

[mm]

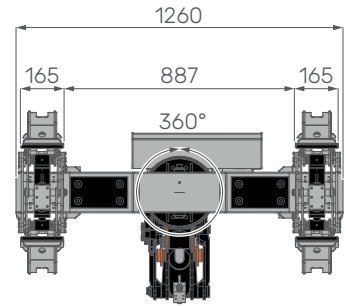
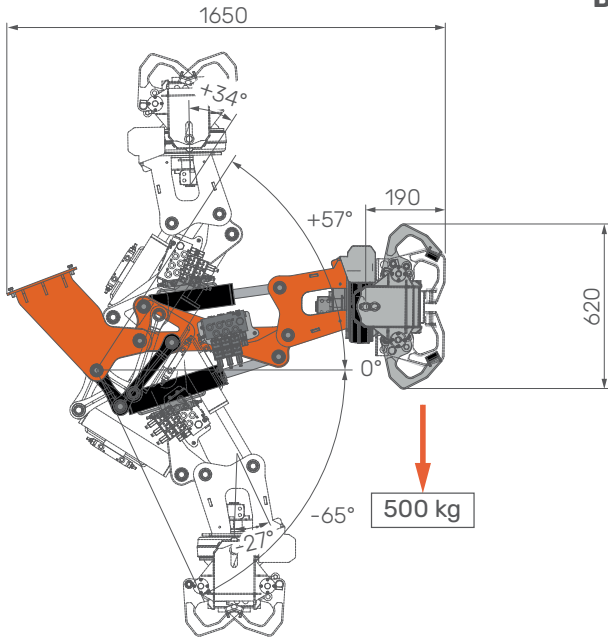
SPX1280

JIB500GR features

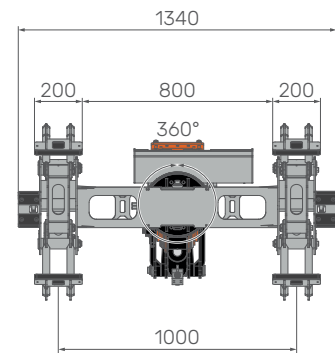
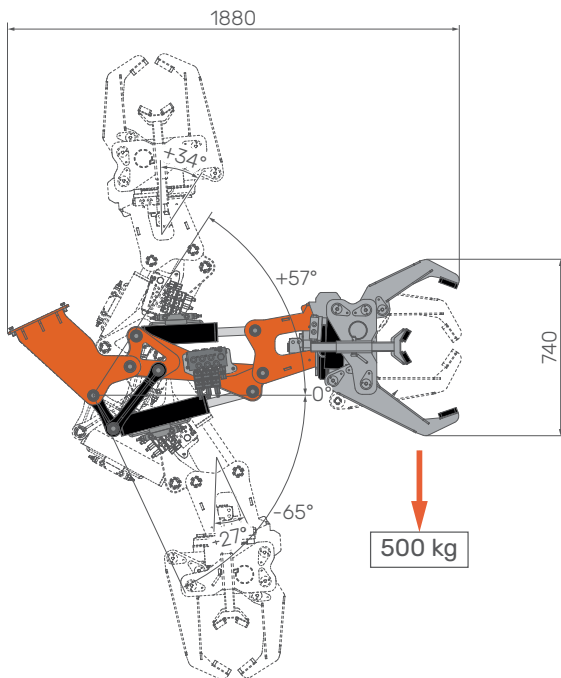
14.03.2025 | REV.3.0

JIB500GR

BEAMS



PIPES





























WEIGHT



JIB	JIB500GR	Beams configuration	kg	230
		Pipes configuration		230
		Adapter		40

SYMBOLS

 Weight	 Engine	 Main Boom Lifting	 Hydraulic System
 Crane	 Electric Motorization	 Boom Length	 Winter Kit
 Travel Speed	 Powerpack	 Jib	 Working Temperature
 Gradeability	 Maximum Capacity	 Turret Slewing	 Hydraulic Activation
 Track Load	 Maximum Outriggers Load	 Winch	 Hook
 65° Maximum Working Angle	 Counterweight	 Outriggers Mats	 Grabber
 Closed Tracks and Turret Position Locked at 0° or 180°			
 Extended Tracks and 360° Turret Slewing			

LOAD CHARTS REMARKS

- Load tables have been calculated following the EN 13000:2014 standard.
- Load tables have been calculated considering a wind load of 13,8 m/s, a sail area of 1m²/t and a drag coefficient of 1,2.
- Load capacities are given in kg.
- Hookblocks and hooks weight is part of the load, hence it shall be deducted from the capacity values.
- The working radius is measured form the turret slewing center.
- The supplied Technical Data is part of the Use & Maintenance Manual.
- Features and specifications may change without prior advice.
- All indicated data are for informational purposes only and are not binding as the crane performs differently depending on its use.



Jekko s.r.l.

Via Campardone, 1 - 31014 Colle Umberto (TV) - Italy
info@jekko.it - www.jekko-cranes.com



SERIAL NUMBER:

14.03.2025 | REV3.0