

TRX32

TRUCK-MOUNTED MINICRANE



Lifting capacity

3200 kg



Max tip height

17,5 m



Dimensions (l x w x h)

L x W x H

4998 x 1860 x 2269 mm



Powered by

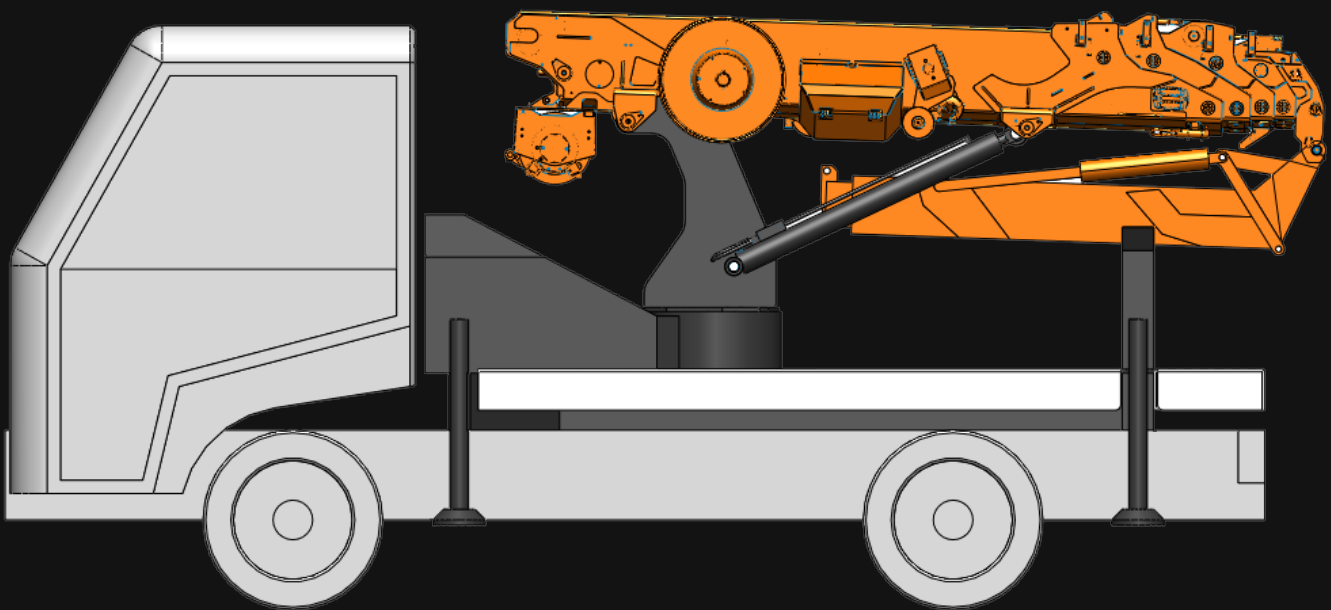
Bi-Energy

Diesel + Electric Power Pack



Weight

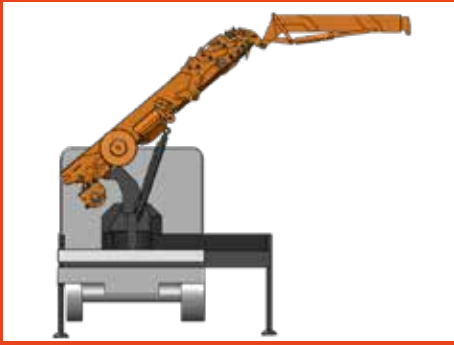
3500 kg



EN [m - kg]

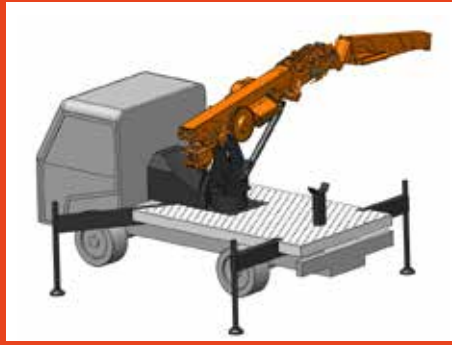
B CAR DRIVING
LICENCE

3 WORKING MODES



OUTRIGGERS PARTIALLY OPEN

When workspace is limited



OUTRIGGERS FULLY OPEN

Maximum lifting capacity on small footprint



OUTRIGGERS CLOSED

When you barely fit through

B CAR DRIVING LICENCE

- Overall weight 3,5 ton
- Easy to drive



HIGH PERFORMANCES

- 3200 kg lifting capacity
- 17,5 m max tip height with jib
- 10,3 m max tip height main boom



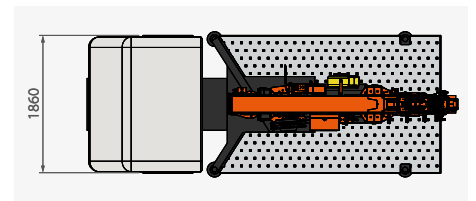
FLEXIBLE CONFIGURATION

- Hook 3200 kg lifting capacity on main boom
- Winch 800 kg capacity single fall / 3200 kg 4 falls
- 1000 kg hydraulic jib with quick self-installation system *



COMPACT

- Truck width 1,86 m
- Ideal for city centres
- Tail radius inside truck footprint



DIESEL BI-ENERGY POWERED

Diesel vehicle engine:

- Low consumption, high reliability

Electric Power Pack

- On board crane motor: 100% electric operation
- Emission-free and noise-free indoor operation
- Single-phase motors for every Country



*Optional



TRX32
TRUCK-MOUNTED MINICRANE

Jekko s.r.l. • info@jekko.it • www.jekko-cranes.com

Specifications are subject to change without notice.

All data provided is for reference purposes only and is not legally binding.

V25.02