

SPX650

DIESEL BI-ENERGY



Lifting capacity

5000 kg



Max tip height

23,6 m



Dimensions (l x w x h)

L x W x H

4475 x 980 x 2020 mm



Powered by

Bi-Energy

Diesel + Electric Power Pack



Weight

5900 kg



EN [m - kg]



FEATURES



STRENGTH AND PRECISION

- Unmached structure design
- Engineered to maximise stiffness and load stability
- Dynamic load sway control for accurate load handling
- Automatic speed adjustment to ensure smooth and precise maneuvers
- Automatic movement limitation to maximise safety

DIESEL BI-ENERGY POWERED

Diesel engine

- 18,5 kW Kubota diesel engine
- Low consumption, high reliability

Electric Power Pack *

- On board motor: 100% electric operation
- Emission-free and noise-free indoor operation
- Threephase motors for every Country



ENDLESS CRANE CONFIGURATIONS

Hook - Fast hook/winch switch

Winch: 80 m rope

- 800 kg capacity single fall / 4800 kg 6 falls
- Hook block stowing

Hydraulic jib - 1200 kg SWL

- Hook or winch
- +15/-80° angle, up to 6,0 m length
- Unique self-installation system

Tools: Plug&Play connection



PICK & CARRY

- Up to 800 kg lifting capacity

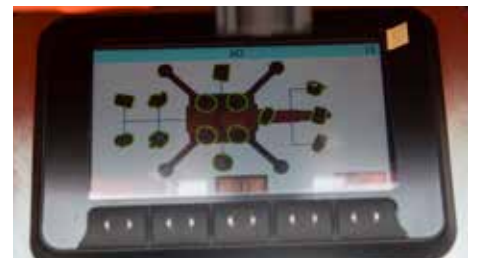
- 360° turrett rotation

- Extendable crawler for improved driving



SAFETY SYSTEMS

- Full LMI system
- Anti crash system
- Feedback on display



J-LINK POWERED BY TRACKUNIT*

- Remote fleet monitoring and diagnostics
- Built-in or retrofit on existing units



*Optional



WIDE STABILITY SOLUTIONS

- Optimal lifting capacity/footprint ratio
- Stepless outriggers rotation 0°/70°
- Stepless telescopic outriggers extension
- Adjustable outriggers height
- Self-levelling

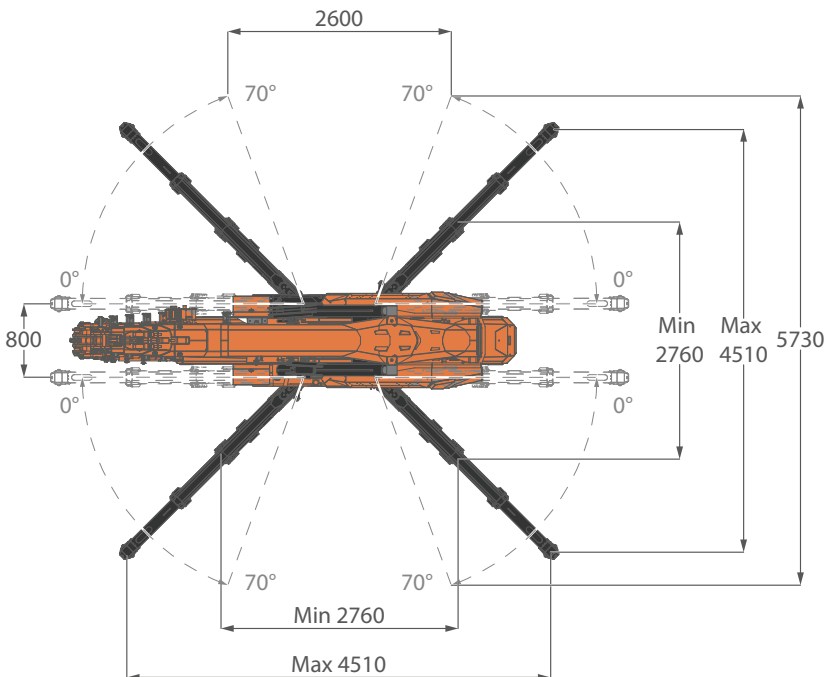
EASY TRANSPORT

- Precise and easy to drive
- Non-marking white tracks for indoor*



DIMENSIONS (mm)

STABILITY AREA (mm)

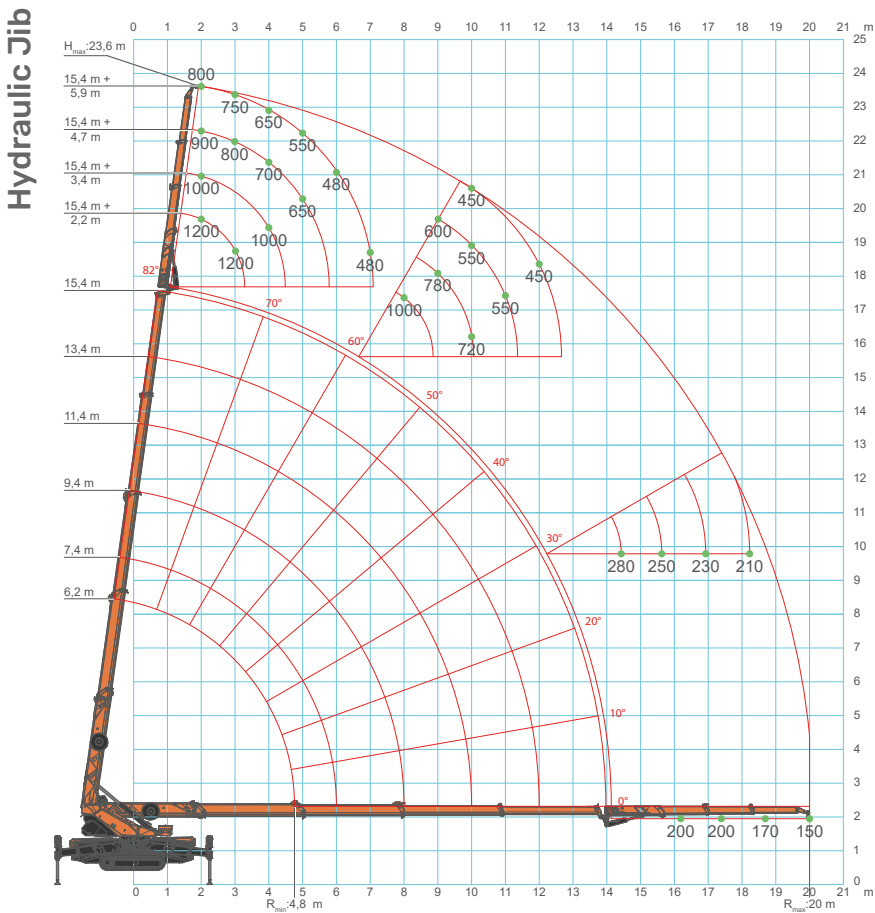
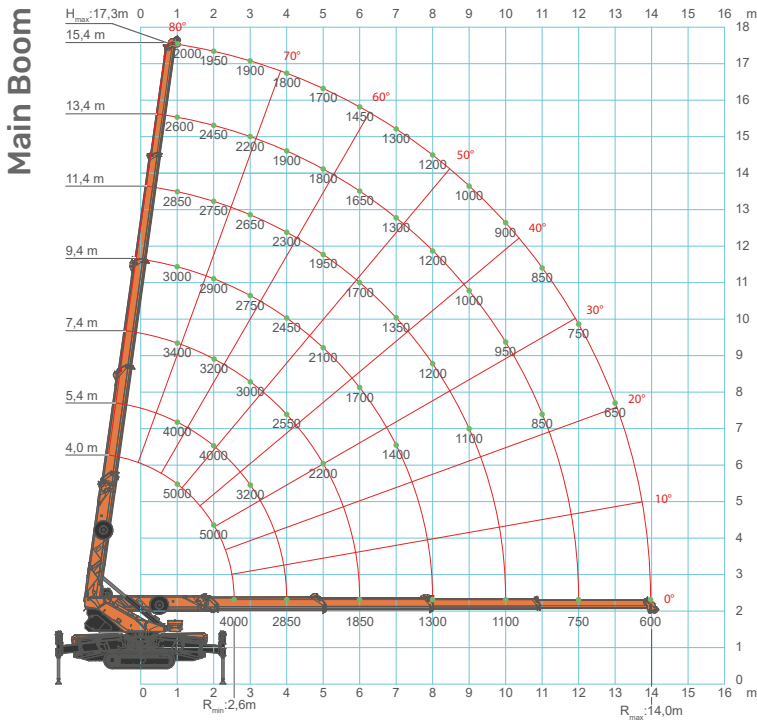


COMPACT FOOTPRINT

- Infinite outriggers configurations
- Self-levelling



LOAD CHARTS



TOOLS AVAILABLE

HYDRAULIC JIB 1200 kg SWL



SEARCHER HOOK 2000 kg SWL



BEAM/PIPE MANIPULATOR 500 kg SWL - JIB500GR



GLASS MANIPULATOR 800 kg SWL - JVM800R



SPX650
DIESEL BI-ENERGY

Jekko s.r.l. • info@jekko.it • www.jekko-cranes.com

Specifications are subject to change without notice.

All data provided is for reference purposes only and is not legally binding.