

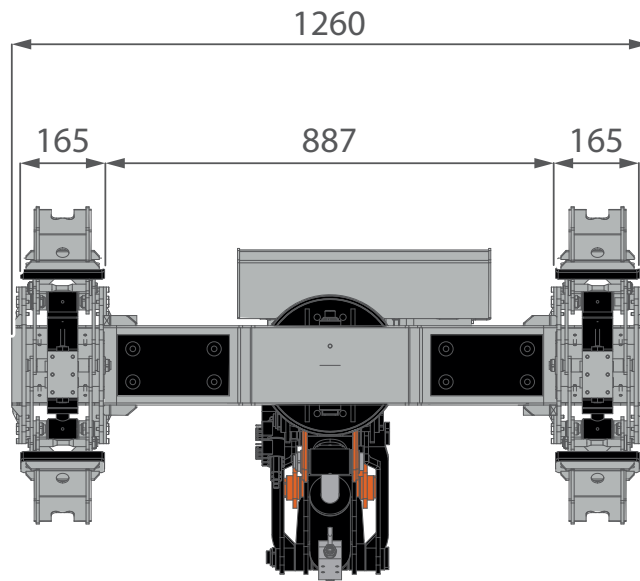
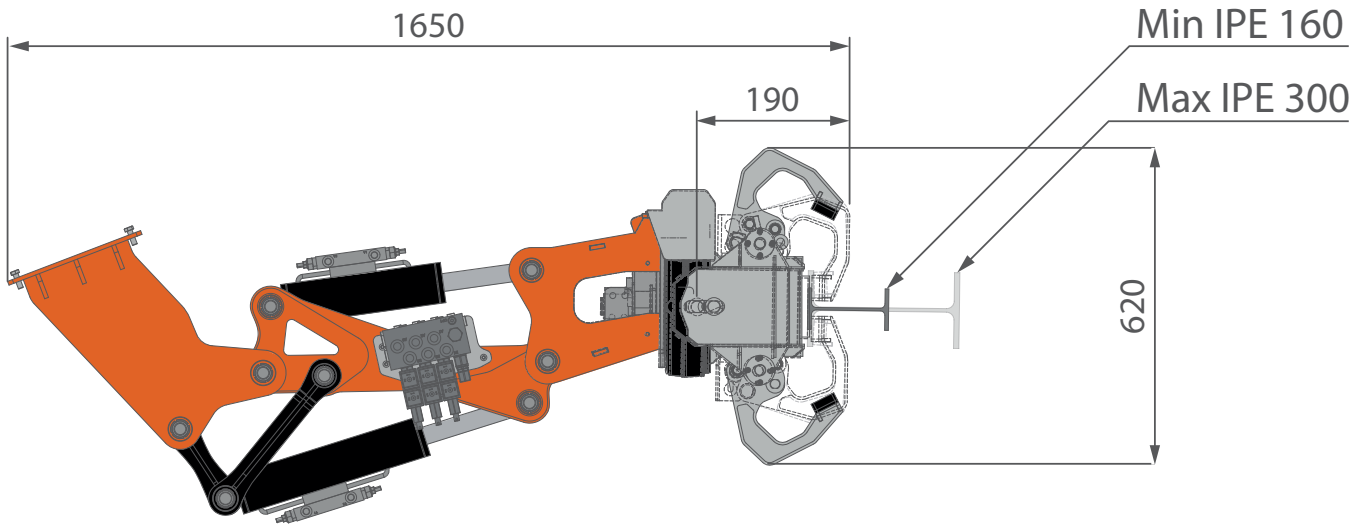


Technical Data

Specification & Capacities

JIB500GR

OVERALL DIMENSIONS JIB500GR Beams Grabber

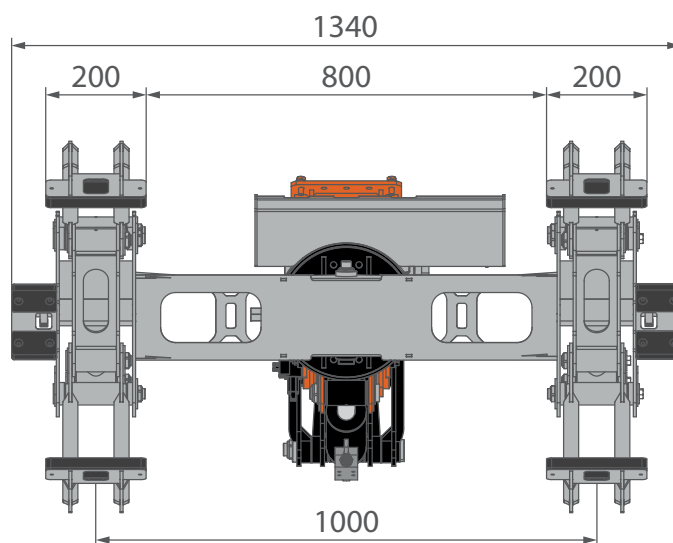
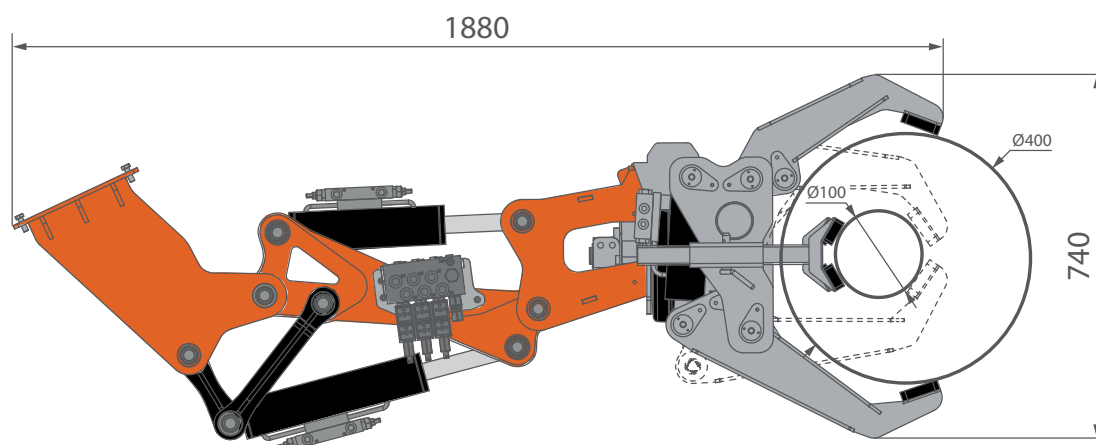


[mm]

OVERALL DIMENSIONS

JIB500GR

Pipes Grabber

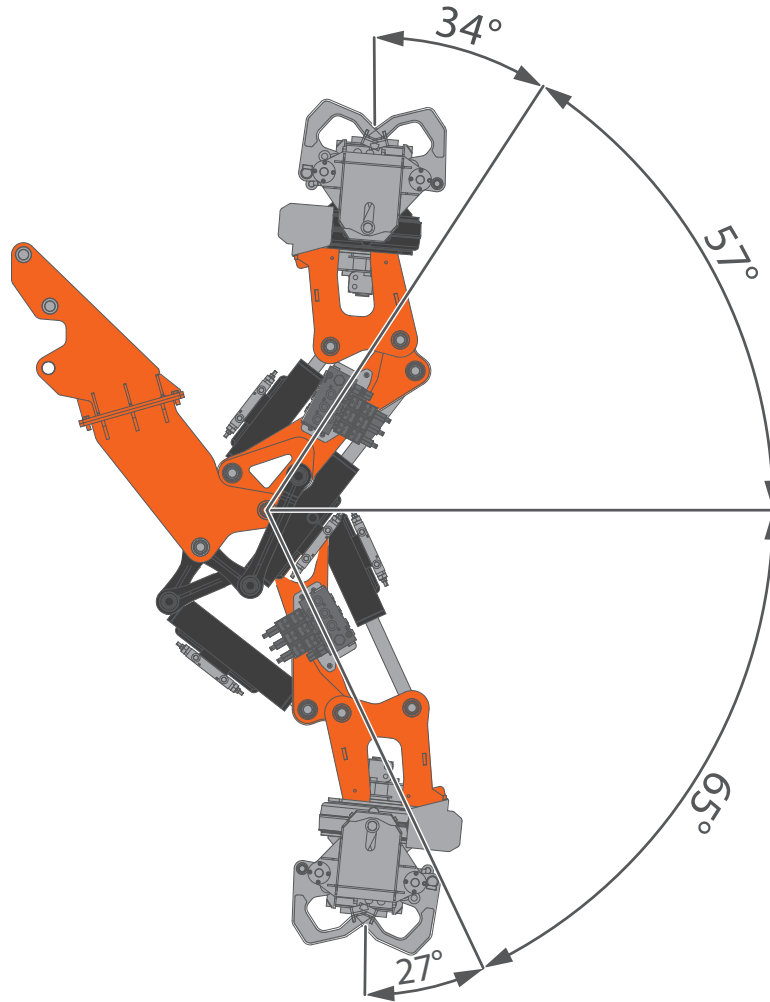


[mm]

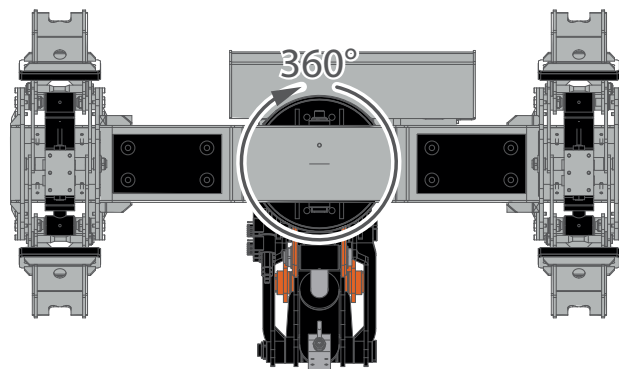
MOVEMENTS

TILT

Beams Grabber



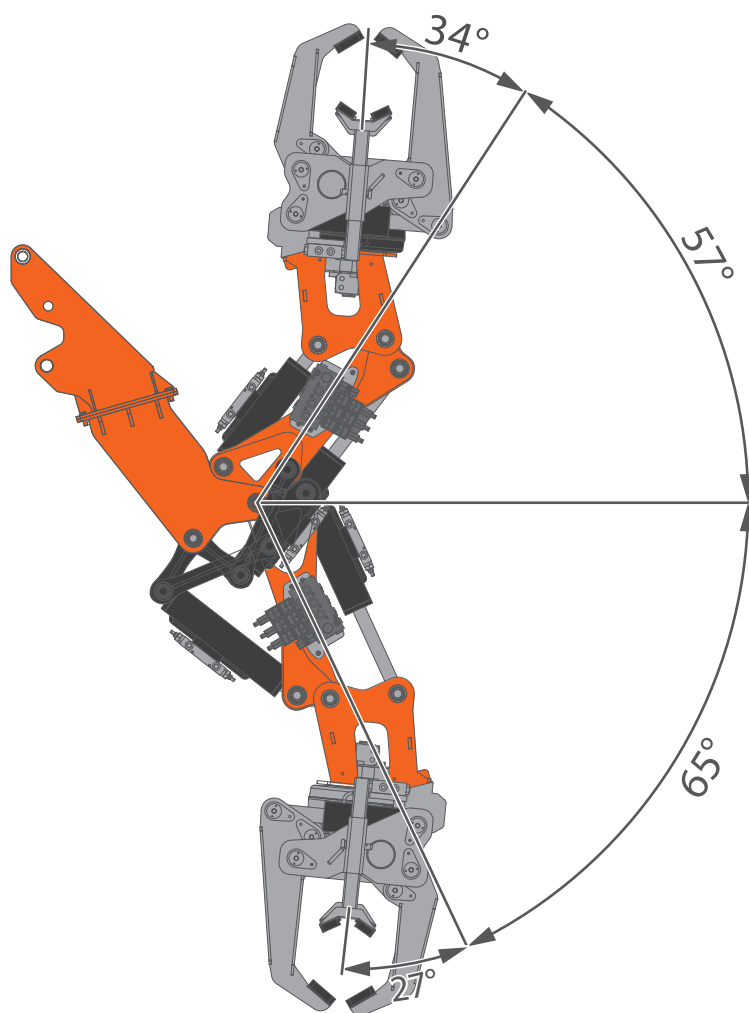
ROTATION



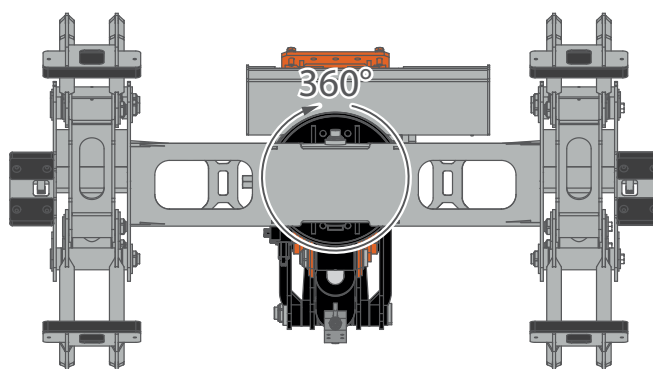
MOVEMENTS

TILT






Pipes Grabber



ROTATION



OVERALL INFORMATIONS

	NAME	VERSION	U.M	VALUE
WEIGHTS	 JIB500GR	BEAMS	kg	230
		PIPES	kg	230
	Adapter	SPX532	kg	18
		SPX650	kg	18
		SPX1280	kg	40
	MOVEMENTS	 TILT A	-57° / +65°	
 TILT B		-34° / +26°		
 Rotation		360°		
CAPACITY	 Maximum Capacity	500 kg		
DIMENSIONS	JIB500GR	BEAMS max dimension		IPE 300
		PIPES max dimension	mm	Ø400

SYMBOLS



Grabber



Tilt A



Tilt B

REMARKS REFERRING TO LOAD CHART

- The load charts are calculated according to EN 13000.
- For the calculation of the load charts at least a wind speed of 9m/s (33km/h) and regarding the load a sail area of 1m² per ton load and a wind resistance coefficient of 1.2 on the load have been taken into account. For lifting of loads with large sail areas and/or high wind resistance coefficients the maximum wind speed as stated in the load charts has to be reduced.
- Lifting capacities are given in kilograms.
- Subject to modification of lifting capacities.

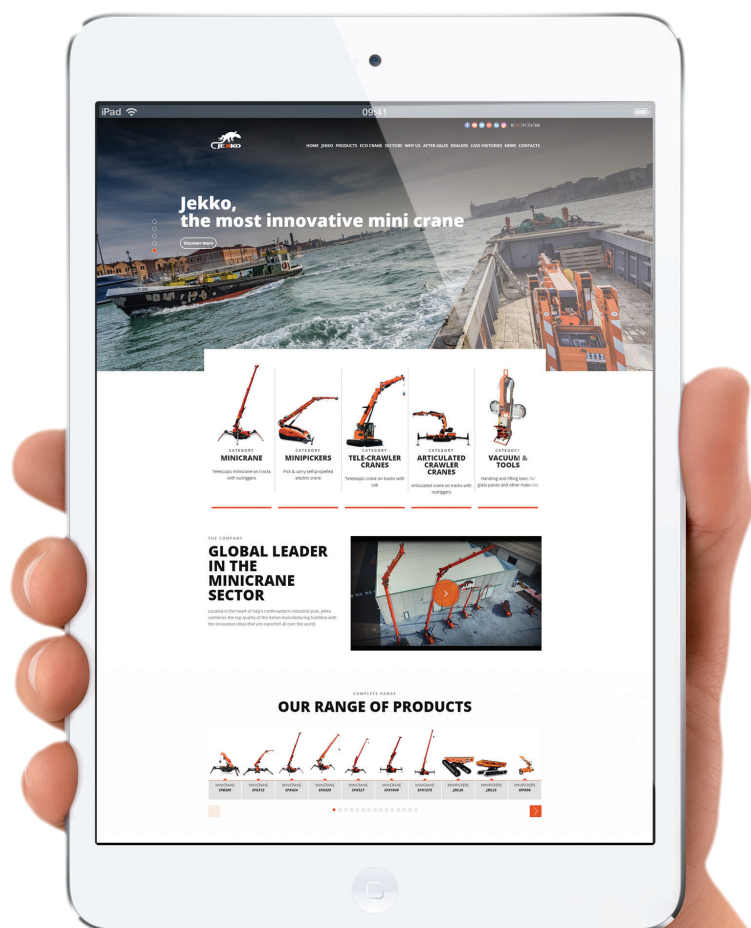
YOUR JEKKO DEALER

EN All specifications and features herein described can be changed without prior advice. All indicated data are indicative only and are not binding as crane performs differently depending on its use. **IT** Tutte le caratteristiche e le specifiche descritte possono essere soggette a variazioni senza preavviso. Tutti i dati riportati sono forniti a puro titolo informativo e non sono impegnativi dal momento che le prestazioni della macchina variano in funzione dell'utilizzo. **DE** Unangekündigte Änderungen sämtlicher Eigenschaften und Daten sind möglich. Alle Angaben sind Richtwerte und nicht verbindlich da die Leistungen der Vorrichtung von deren Einsatz abhängen. **ES** Todas las características y las especificaciones aquí indicadas pueden ser sujetas a variaciones sin aviso. Se dan todos los datos aquí indicados como simples informaciones. No se consideran como vinculantes, dado que las prestaciones del maquinario pueden variar. **FR** Toutes les caractéristiques et le spécifications descriptives peut être sujet à variation sans préavis. Tout les données rapportés sont fournis à titre informatif et ne sont pas engager au moment que la prestation de la machine change en fonction de l'emploi.



www.jekko-cranes.com

Visit jekko-cranes.com to keep in contact with us, discover all the latest news and find out technical details of all our products.





Jekko s.r.l.

Via Campardone, 1 - 31014 Colle Umberto (TV) - Italy
info@jekko.it - www.jekko-cranes.com

04.06.2024 | Rev0.1

SERIAL NUMBER:

