

# MPK06.2



2IN1 MINIPICKER:  
GLASS ROBOT & PICK&CARRY CRANE



Lifting capacity

600 kg



Max tip height

4,2 m



Dimensions (l x w x h)

L x W x H

1840 x 730 x 1450 mm



Powered by  
Battery



Weight

915 kg

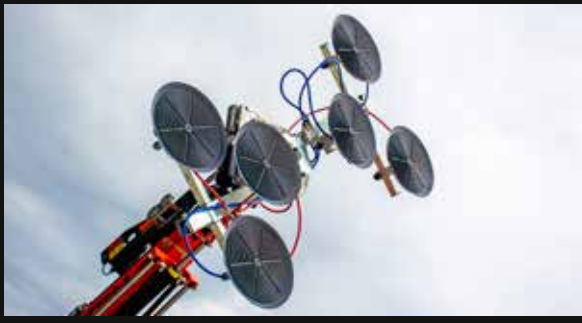
724 kg machine  
191 kg removable ballast



EN [m - kg]



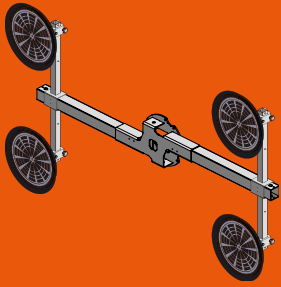
# WORKING MODES



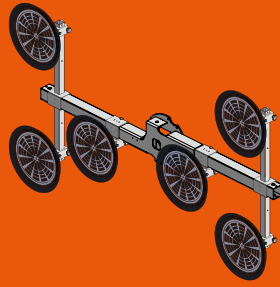
## VACUUM MANIPULATOR **600 kg**

- Up to 6 pads, modular layout
- Electrically operated via wired control
- Vacuum pump onboard
- Two independent vacuum circuits
- 360° rotation, tilt and swing
- Ø400 or Ø290 pads for glass, marble and slabs
- Special pads for monopanel
- "Blow-off" function for easy release
- Ball joint on pads for improved adaptability

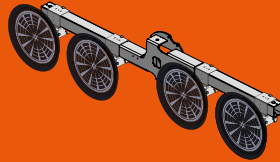
## ENDLESS PADS CONFIGURATIONS



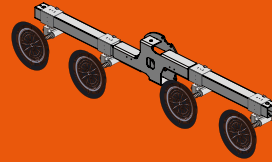
Standard



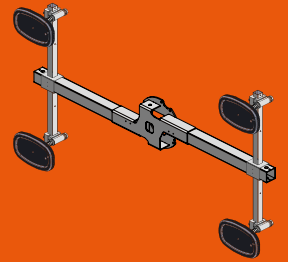
Ø400 - 6 pads



Ø400 in-line



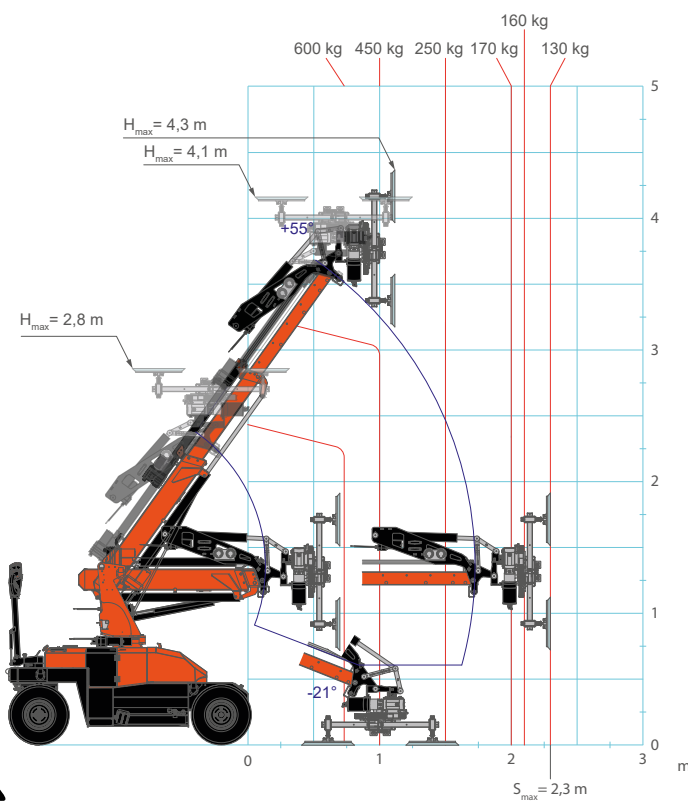
Ø290 in-line



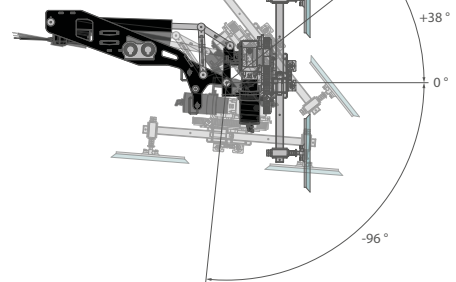
Monopanel

and more...

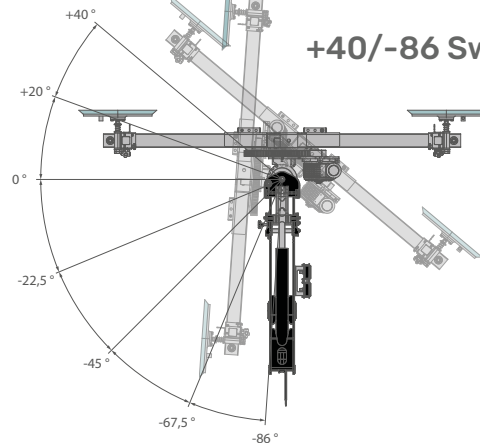
### Manipulator Load Chart



### +38/-96 Tilt



### +40/-86 Swing



# SEARCHER HOOK

**600 kg**

- 4 angles: +15° / 0° / -30° / -60°
- Increases versatility
- Stowed onboard



# MANIPULATOR HOOK

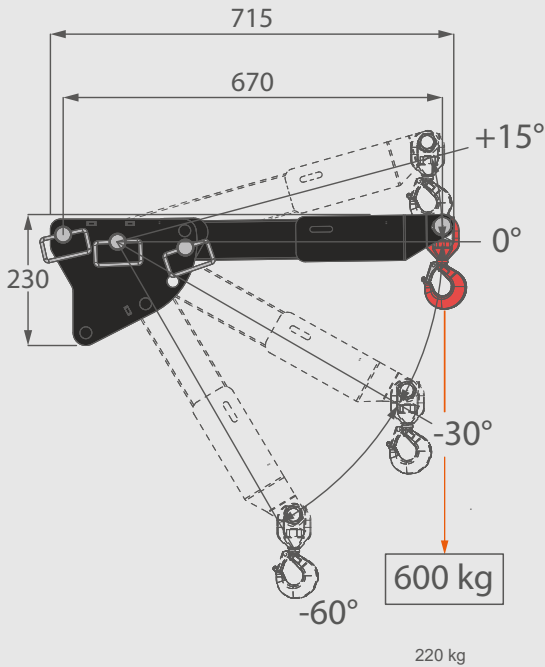
**400 kg**

- Quickly installed on manipulator frame
- Electrical tilt and swing

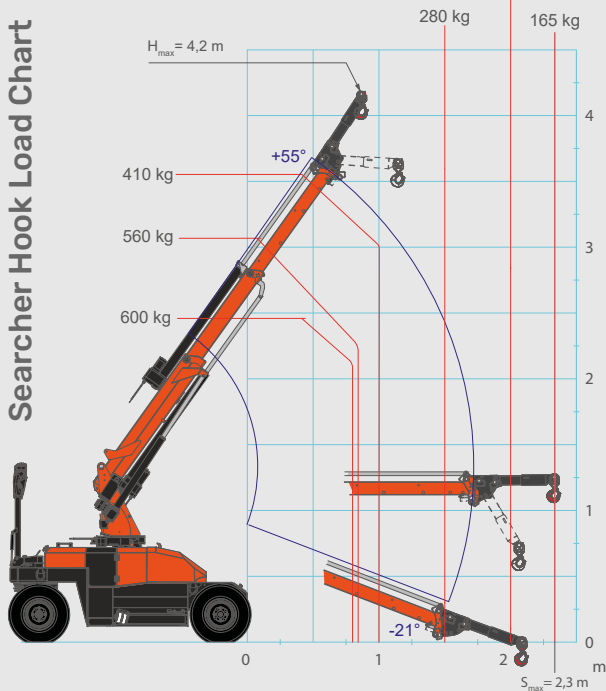
# HOOK

**600 kg**

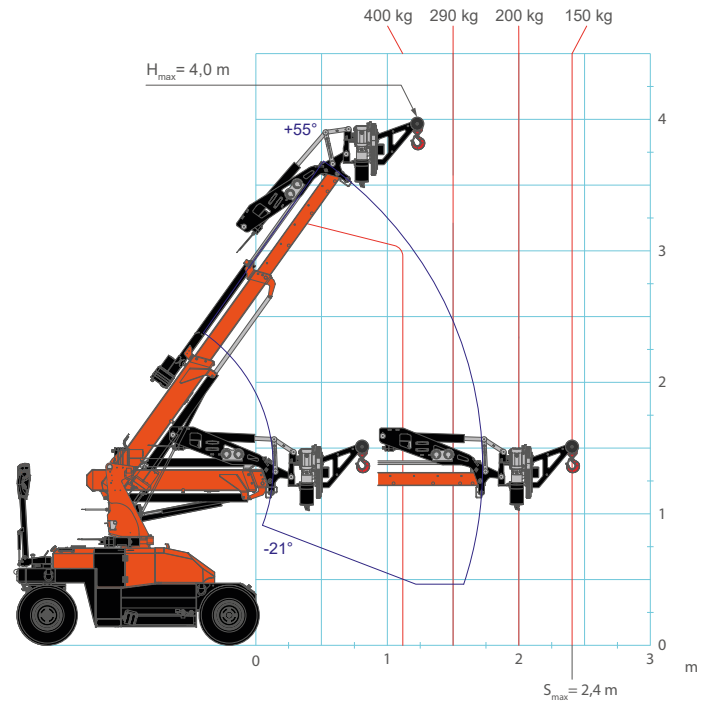
- 600 kg



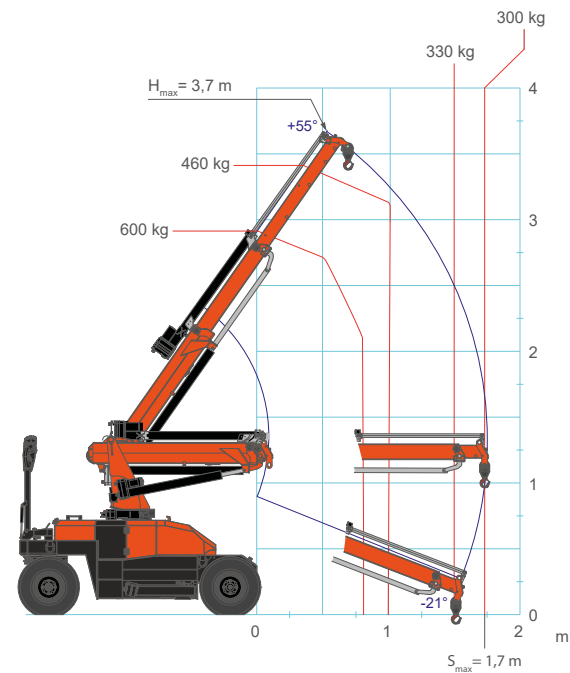
Searcher Hook Load Chart



Manipulator Hook Load Chart



Hook Load Chart





## WIRED CONTROL

- Simple and intuitive
- Controls machine driving, crane and manipulator
- Self-diagnostics & emergency button



## BOOM MOBILITY

- Turret side rotation  $\pm 10^\circ$
- $-21^\circ$  to  $+55^\circ$  boom angle
- Double boom extension

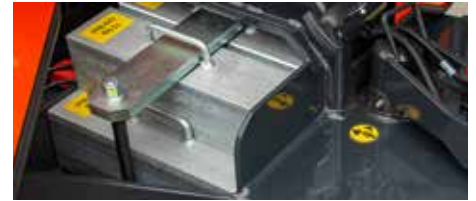
### FULLY ELECTRIC

- Battery powered, lead-acid type 24 V 155 Ah
- Minimal maintenance costs
- Emission-free indoor operation
- On board 110V or 230V fast battery charger
- Runtime over 1 workday



### MODULAR BALLAST

- Easily removable ballast modules
- Operates with reduced ballast
- Automatic lifting capacity adjustment
- 191 kg total weight



### EASY TO DRIVE EVERYWHERE

- Front-wheel drive with differential
- Wide steering angle
- Side stabilisers



### OUTDOOR-INDOOR WHEELS

- Off-road tyres (foamed puncture-proof)
- Non-marking white tyres for indoor \*



### J-LINK POWERED BY TRACKUNIT\*

- Remote fleet monitoring and diagnostics
- Built-in or retrofit on existing units



\*Optional



**MPK06.2**  
2IN1 MINIPICKER

Jekko s.r.l. • [info@jekko.it](mailto:info@jekko.it) • [www.jekko-cranes.com](http://www.jekko-cranes.com)

Specifications are subject to change without notice.

All data provided is for reference purposes only and is not legally binding.