



JFS45.2

DIESEL + ELECTRIC POWER UNIT



NEW VARIABLE SPEED ENGINE MANAGEMENT



- ✓ Accurate movements control
- ✓ Reduced fuel consumption
- ✓ 3 working modes: Eco – Normal – Power

HYDRAULIC JIB

- ✓ 3000 kg MAX capacity
- ✓ 31 m MAX height
- ✓ Hydraulic extra functions available



MAN BASKET

- ✓ For MAX 2 people
- ✓ Up to 30 m
- ✓ EN280 certified



SPECIAL FEATURES



- ✓ 3,5 tons removable counterweight
- ✓ 3,5 tons transport capacity on lorry
- ✓ Pick & Carry
- ✓ 10 ton frontal or rear hydraulic towing winch

MAIN BOOM



- ✓ 15,5 tons MAX capacity
- ✓ 18,8 m MAX height
- ✓ 6 hydraulic telescopic extensions

ADDITIONAL ELECTRIC MOTOR



- ✓ On board
- ✓ 50 Hz or 60 Hz
- ✓ Simple switch from diesel
- ✓ 400-480 V three-phase electric motor

360° ROTATION



WINCH



- ✓ Up to 60 m rope length
- ✓ Up to 3 falls
- ✓ For main boom & Jib
- ✓ 2 or 3 tons single line

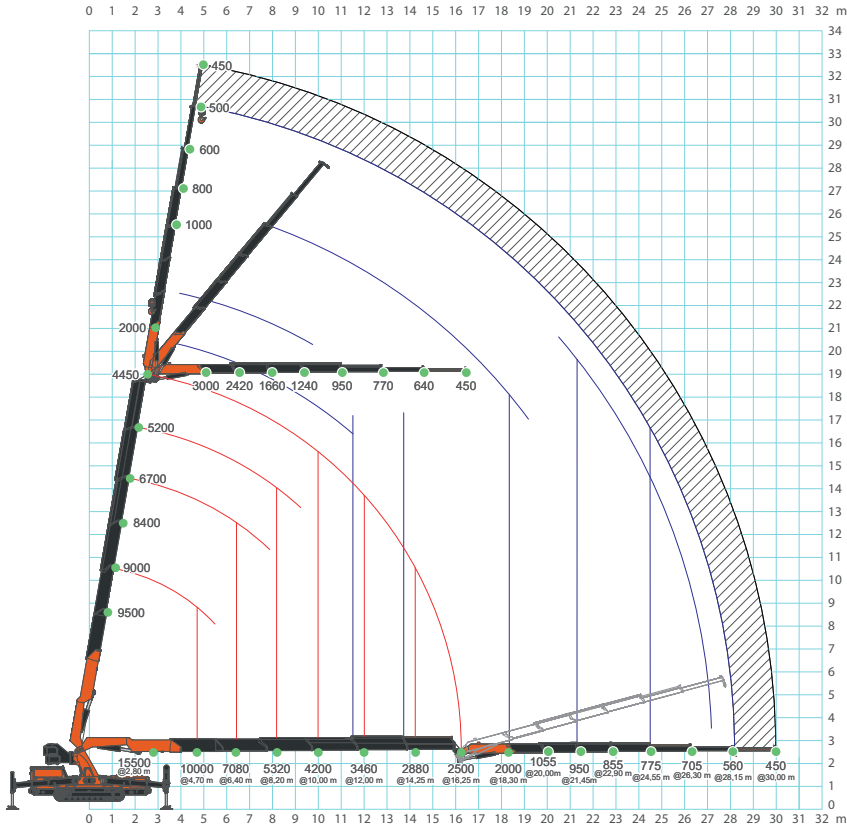
NEW OUTRIGGERS HYDRAULIC SYSTEM

- ✓ 5 different stability levels
- ✓ 4 different stability areas
- ✓ 0 - 45° full-range angle & Telescopic





LOAD CHART



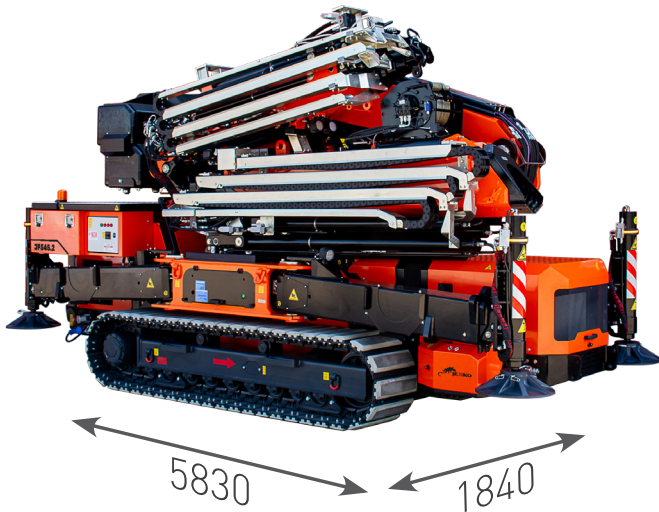
SCAN FOR MORE TECHNICAL DATA



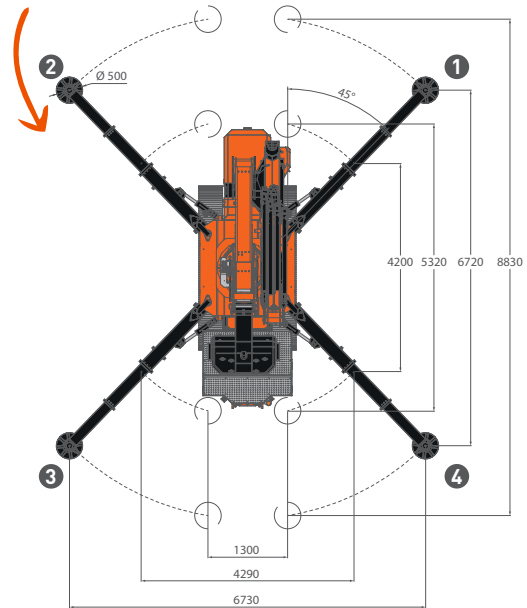
	Kg
JF545.2	13730
Counterweight	3500
Hydraulic Jib	1140



DIMENSIONS (mm)



FOOTPRINT (mm)

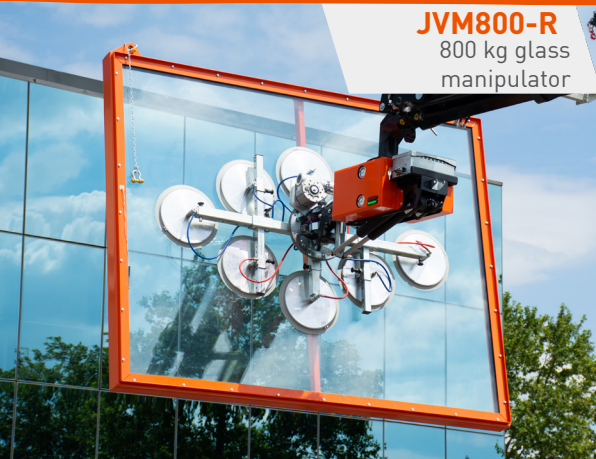


ACCESSORIES

JVM800-R
800 kg glass
manipulator

JIB3000.6HA
3000 kg
Hydraulic Jib

MAN-BASKET
For 2 people



Jekko s.r.l. • info@jekko.it • www.jekko-cranes.com
 All specifications and features herein described can be changed without prior advice.
 All indicated data are indicative only and are not binding as crane performs differently depending on its use.

V24.08

Printed on paper made from 100% recycled fiber