



Technical Data

Specification & Capacities

MPK10.2



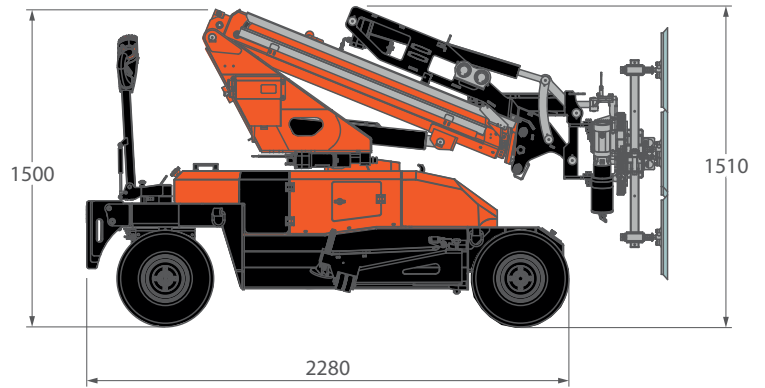
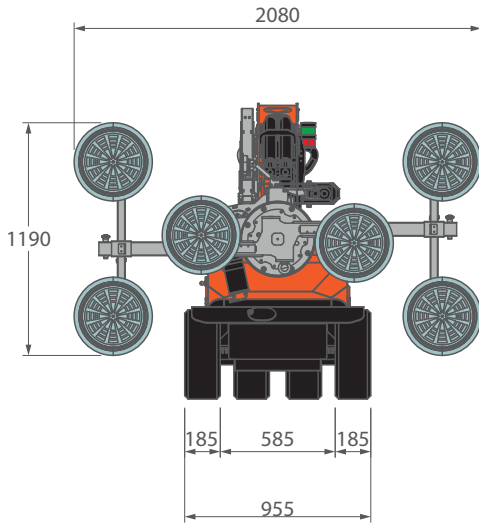
EN 13000:2014

06.12.2024 | Rev0.1

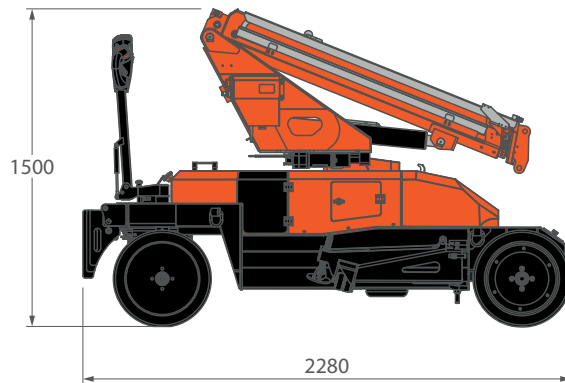
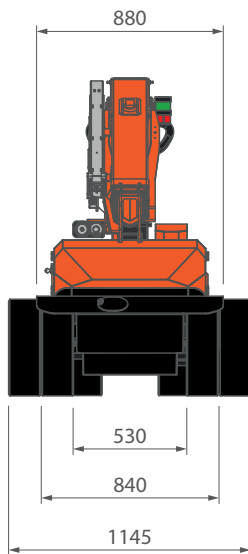
[m] [kg]

OVERALL DIMENSIONS

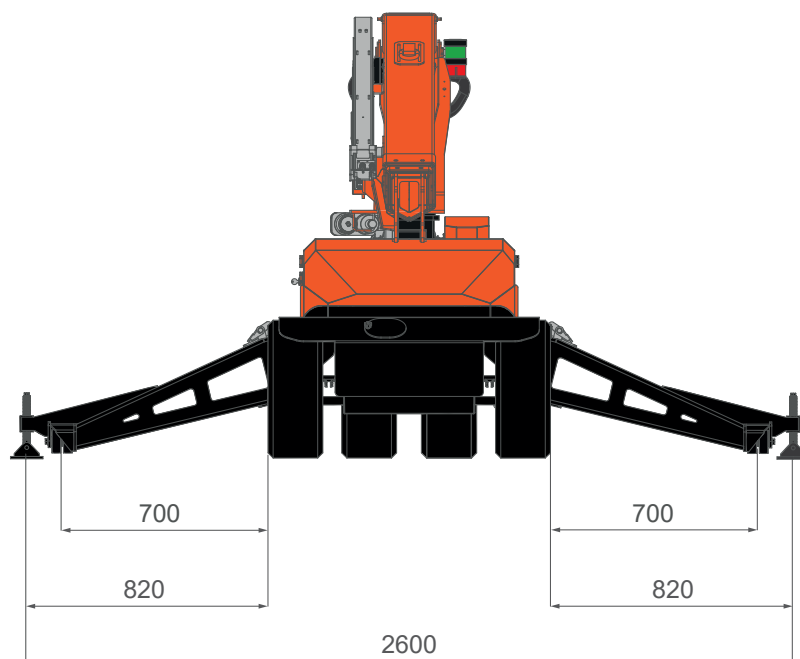
OUTDOOR WHEELS



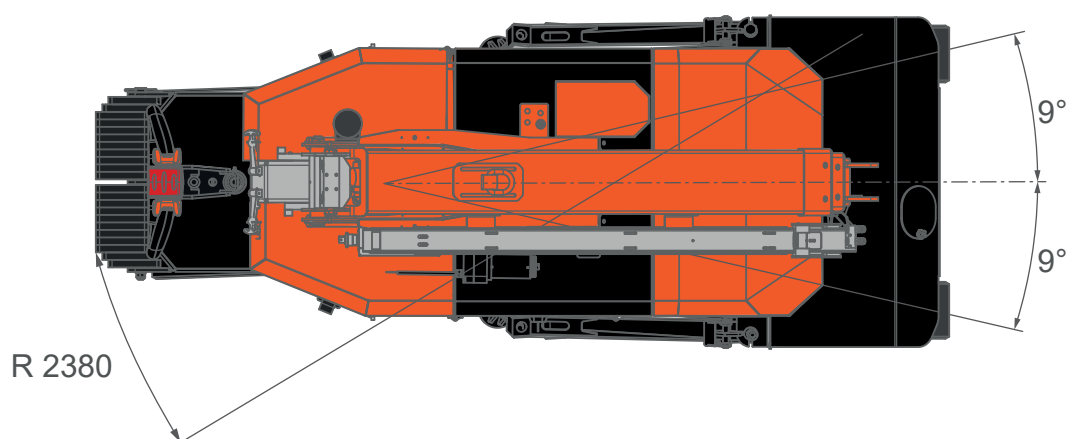
TWIN WHEELS



OUTRIGGERS





BOOM SWING




OVERALL INFORMATIONS

		DESCRIPTION	U.M	VALUE	
CRANE INFO		OVERALL DIMENSIONS	Height	mm	1.500
			Length		2.280
			Width		955
		BOOM	Length	m	1,57 - 3,5
			Speed	s	48
		SLEWING	Angle	°	-9°/+9°
			Speed	s	7
		LIFTING	Working Angle	°	-21°/58°
			Speed	s	42
		MAX CAPACITY		kg	990
		REAR WHEEL MAX LOAD		kg	410 ^[1]
		FRONT WHEEL MAX LOAD	Turret positioned at 0°		980 ^[2]
			Turret slewed by 9°		1.320 ^[2]
	TRAVEL SPEED		km/h	4	
	GRADEABILITY		°	13° [23%] ^[3]	
	WORKING TEMPERATURE		°C	-20°/+40°	
Lifting Class (UNI 4301-1)			A1		

WEIGHTS		CRANE	MPK10.2 (no counterweights)	kg	1.045 ^[4]
		COUNTERWEIGHT	CW1 (into frame)	kg	100
			CW2 (into hood)		130
		TOTAL	MPK10.2	kg	1.275

ACCESSORIES		JIB	JIB-MPK10	kg	18
		JVM MANIPULATOR	JVM10.2 (standard configuration)	kg	179

ENGINE		ELECTRIC	Battery Voltage	V	24
			Power	kW	2,2

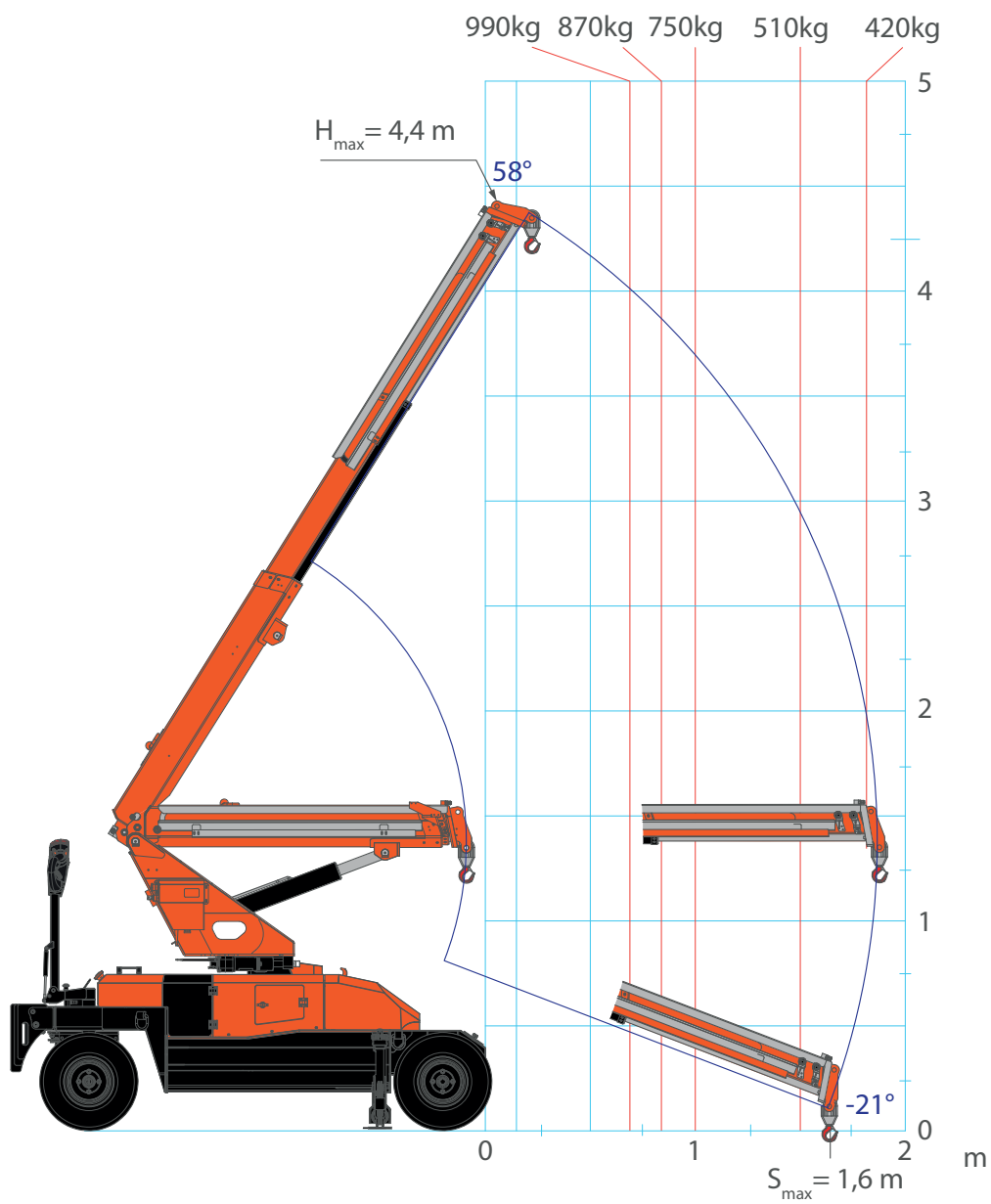
^[1]: Without load

^[2]: With load

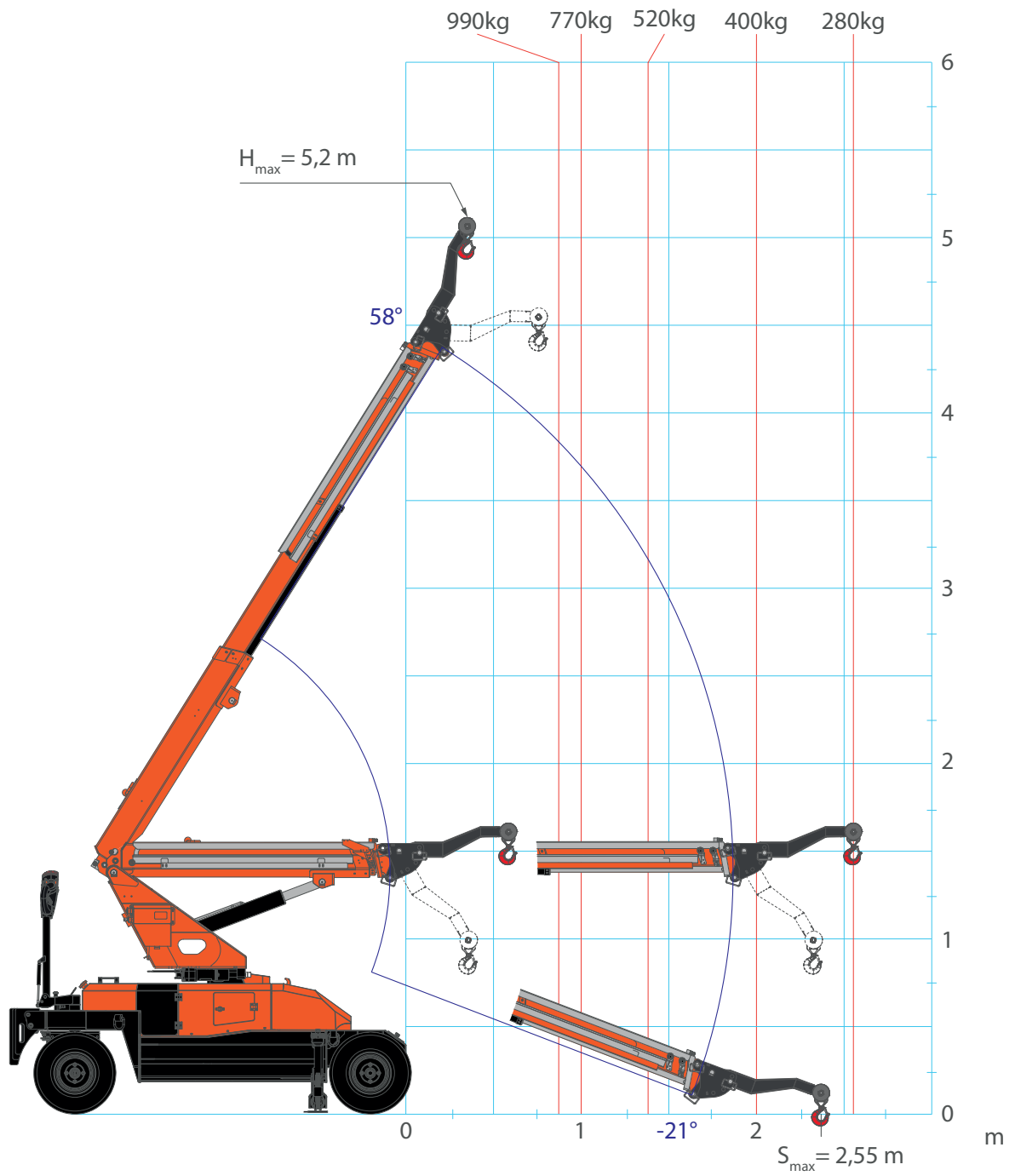
^[3]: Max value only for short distance and a maximum of 30 seconds. Forward movement at maximum gradeability is intended with extended boom and without load.

^[4]: Dry weight

MAIN BOOM

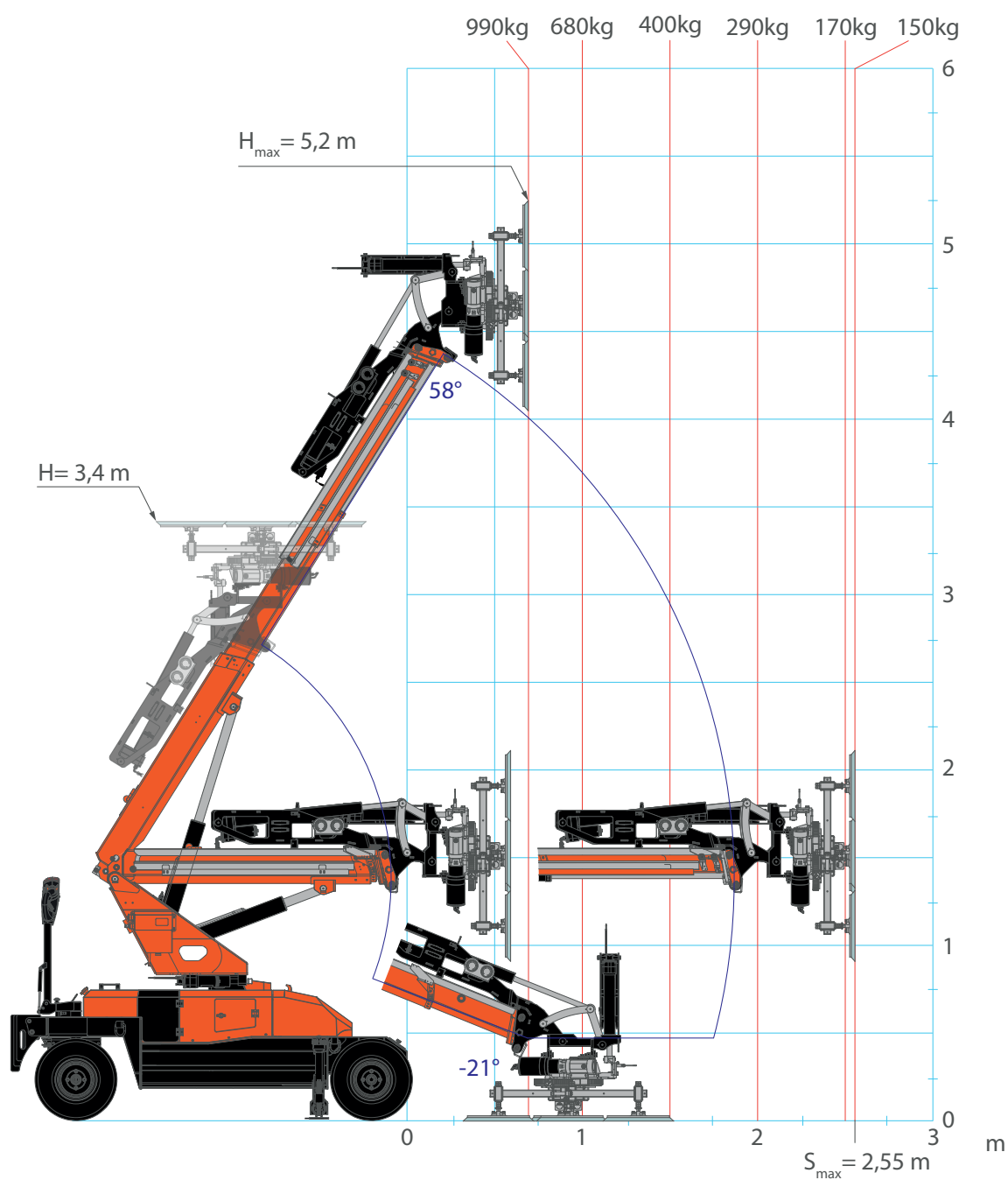


JIB MPK10



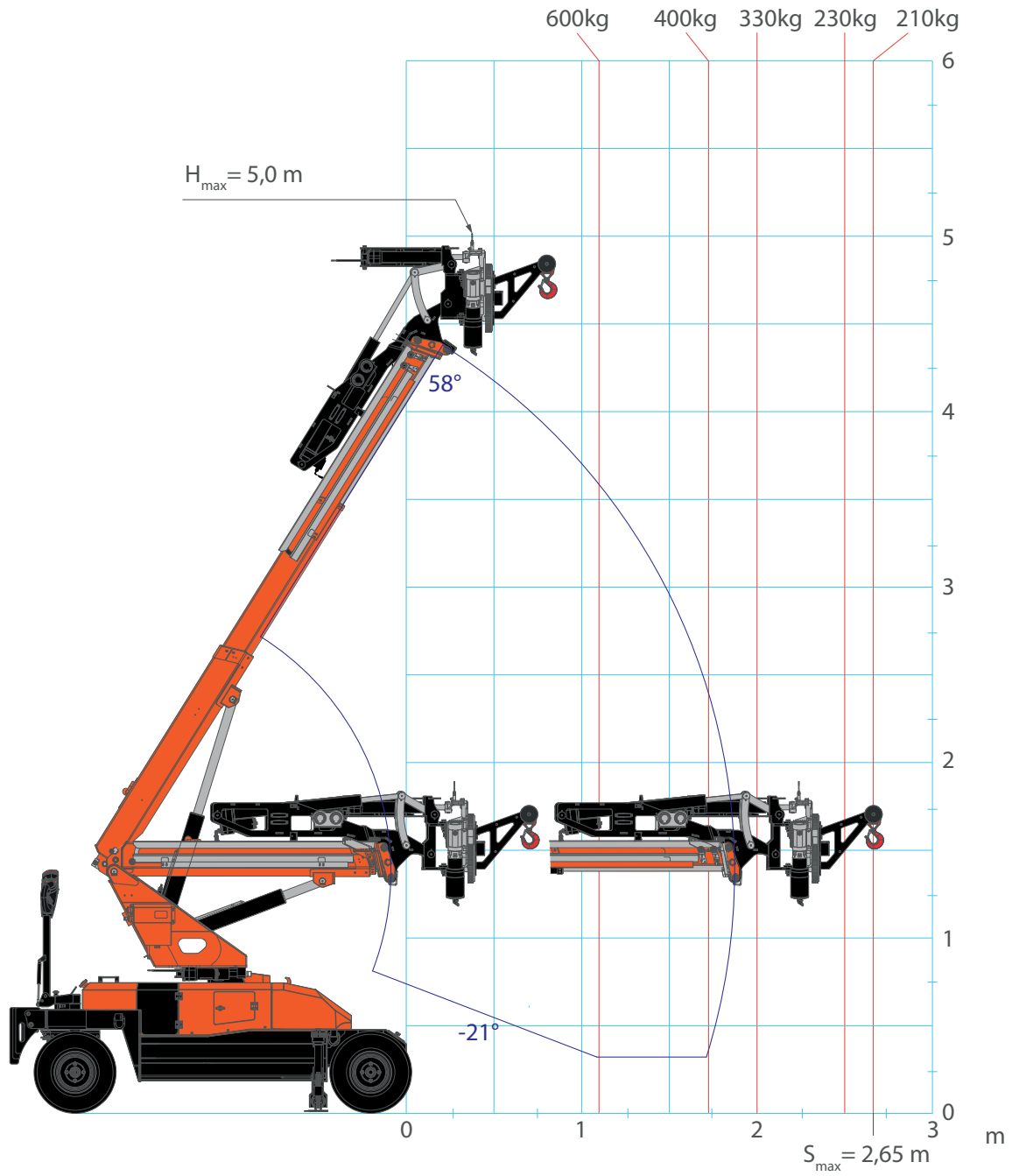
JVM10.2

GLASS standard configuration (6 vacuum pads Ø400)



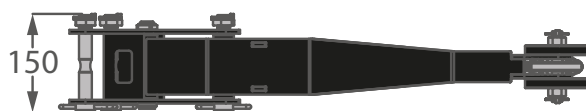
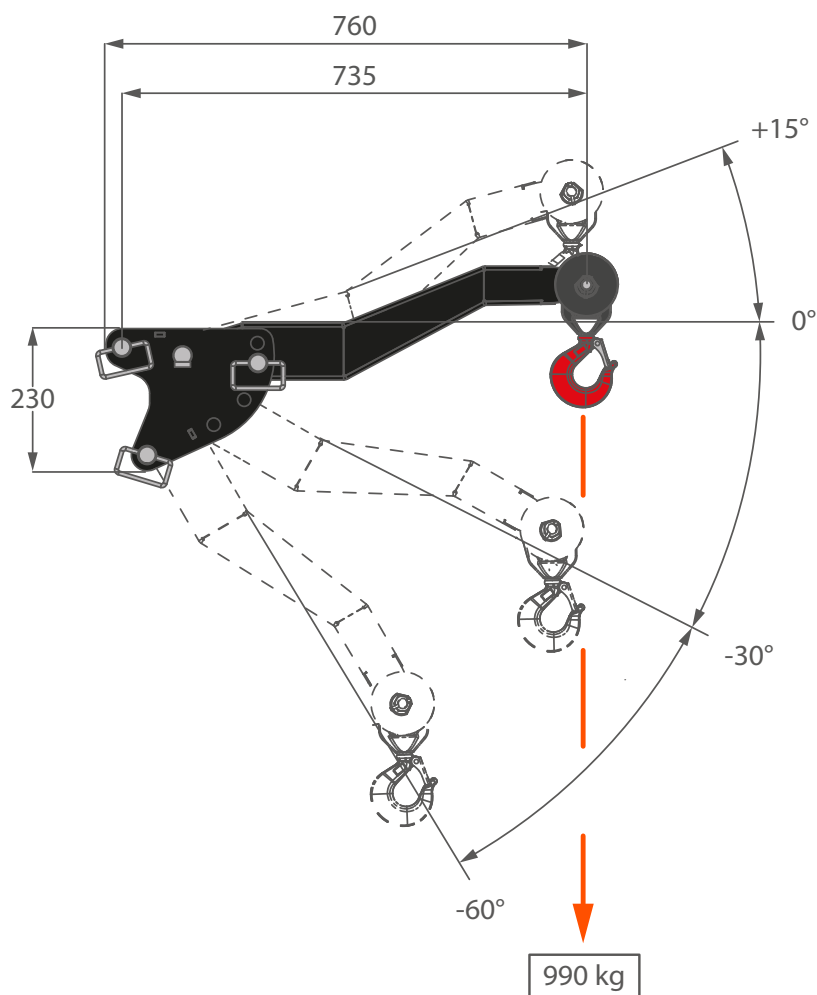
JVM10.2

JIB-JVM06-10 configuration



ACCESSORIES FEATURES

JIB MPK10

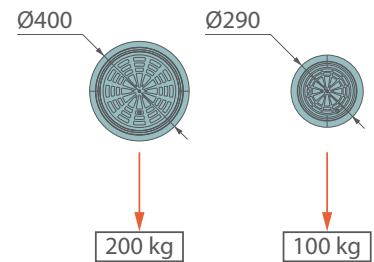
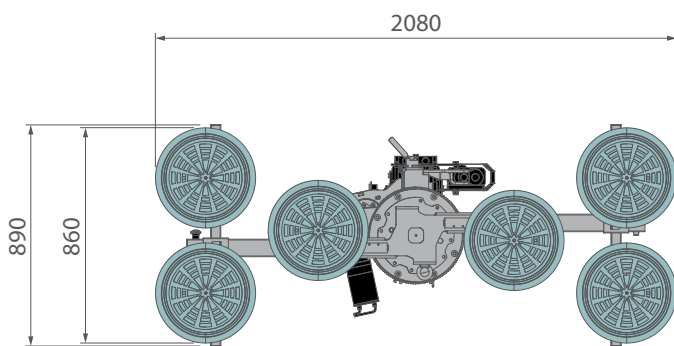
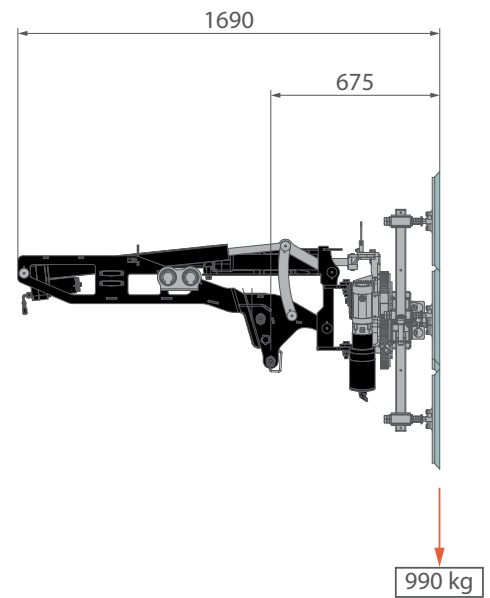
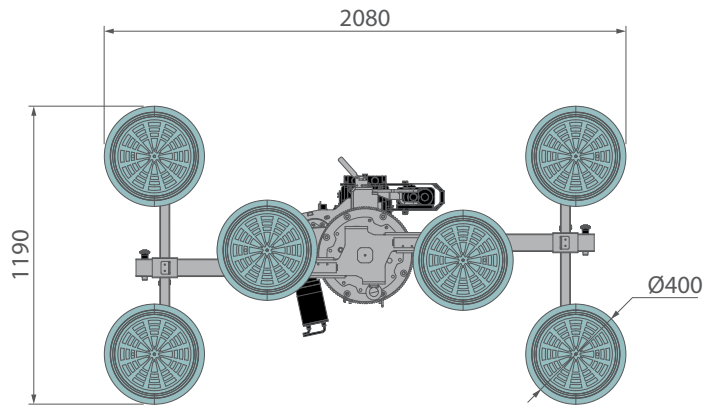



	JIB	JIB-MPK10	kg	18
--	-----	-----------	----	----

[mm]

JVM10.2

GLASS standard configuration (6 vacuum pads Ø400)



	JVM	JVM10.2 (standard configuration)	kg	179
---	------------	----------------------------------	----	-----

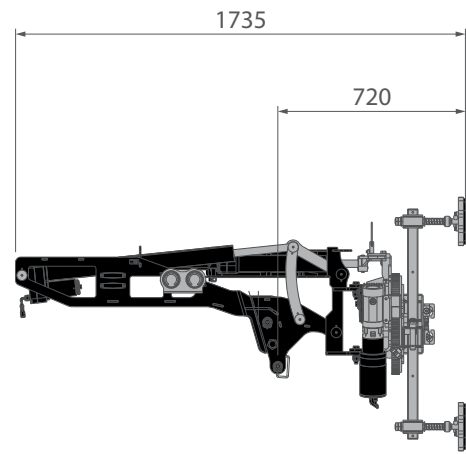
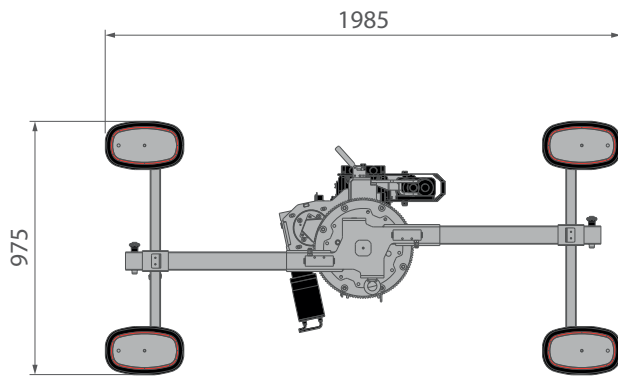
ACCESSORIES	Central pads support	kg	1
	Vertical pads support	kg	3,4
	Ø400 vacuum pad (x1)		4,8

OPTIONAL	Lateral pads extension	kg	4,4
	Ø290 vacuum pad (x1)		3,2

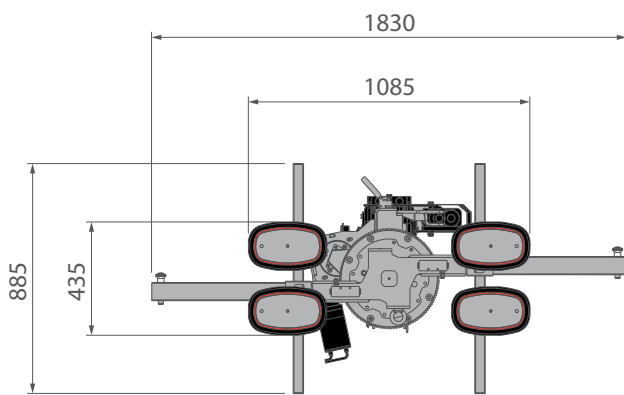
[mm]

JVM10.2

MONOPANEL configuration (4 pads)



240 kg

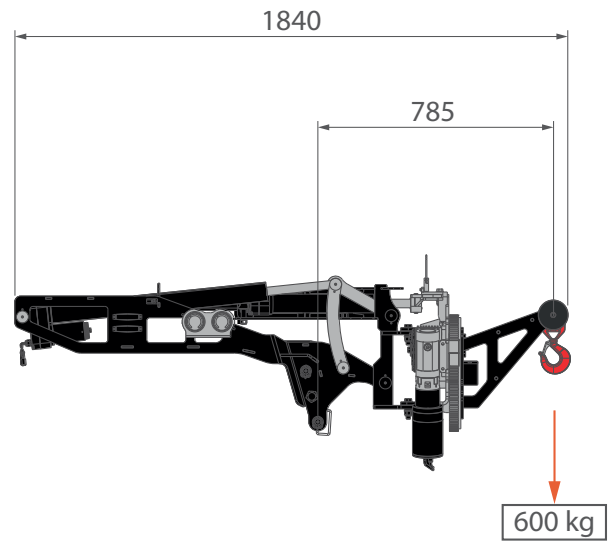
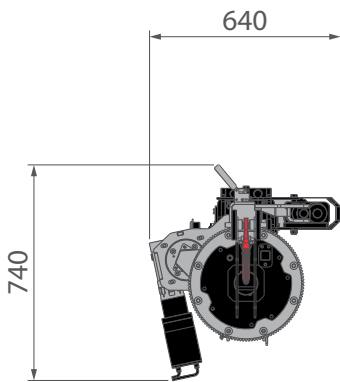



60 kg

	JVM	JVM10.2 (monopanel configuration)	kg	157
--	-----	-----------------------------------	----	-----

JVM10.2

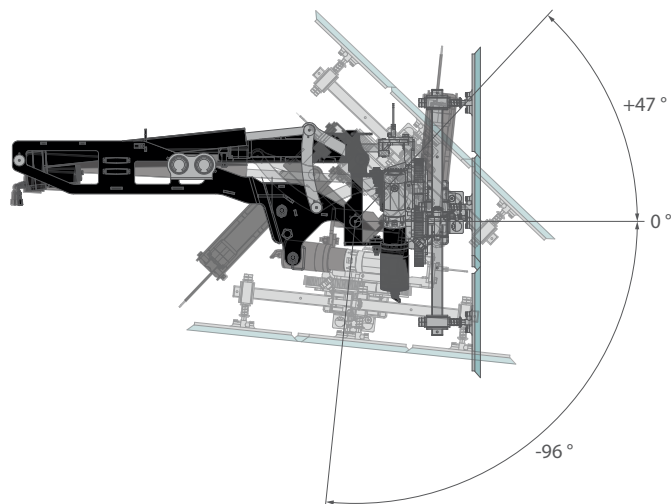
JIB-JVM06-10 configuration



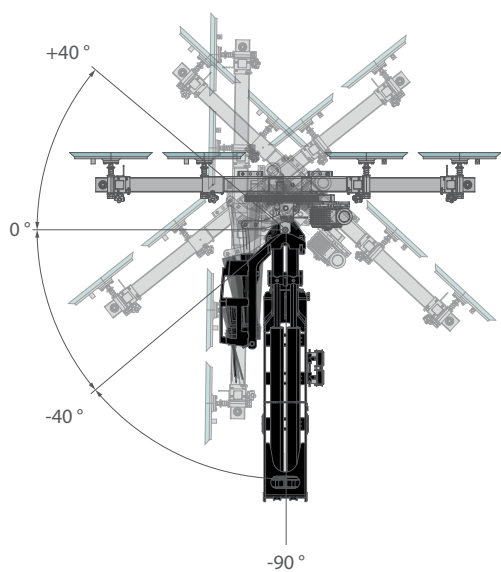
	JVM	JVM10.2 (JIB-JVM06-10 configuration)	kg	131
---	------------	--------------------------------------	----	-----

JVM10.2

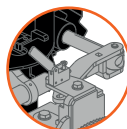
TILT



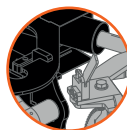
SWING



CONFIGURATION 1











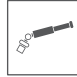





CONFIGURATION 2



		ANGLE	
CONFIGURATION		min	max
	1	-40°	+40°
	2	-90°	-40°

SYMBOLS

	Minipicker		Electric Engine		Boom Angle		Weight
	Travel Speed		Maximum Capacity		Boom Length		Rear Wheel Max Load
	Gradeability		Slewing		Jib		Front Wheel Max Load
	JVM Manipulator		Working Temperature				

REMARKS REFERRING TO LOAD CHART

- Load tables have been calculated following the EN 13000:2014 standard.
- Load tables have been calculated considering a wind load of 13,8 m/s, a sail area of 1m²/t and a drag coefficient of 1,2.
- Load capacities are given in kg.
- Hookblocks and hooks weight is part of the load, hence it shall be deducted from the capacity values.
- The working radius is measured form the front plate of the frame.
- The supplied Technical Data is part of the Use & Maintenance Manual.
- Features and specifications may change without prior advice.
- All indicated data are for informational purposes only and are not binding as the crane performs differently depending on its use.



Jekko s.r.l.

Via Campardone, 1 - 31014 Colle Umberto (TV) - Italy
info@jekko.it - www.jekko-cranes.com

06.12.2024 | Rev0.1

SERIAL NUMBER:

