



# Technical Data

Specification & Capacities

# JIB500GR

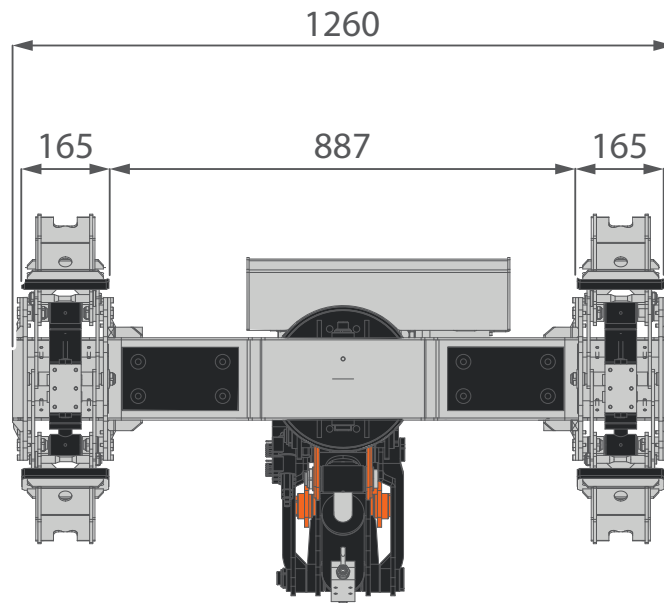
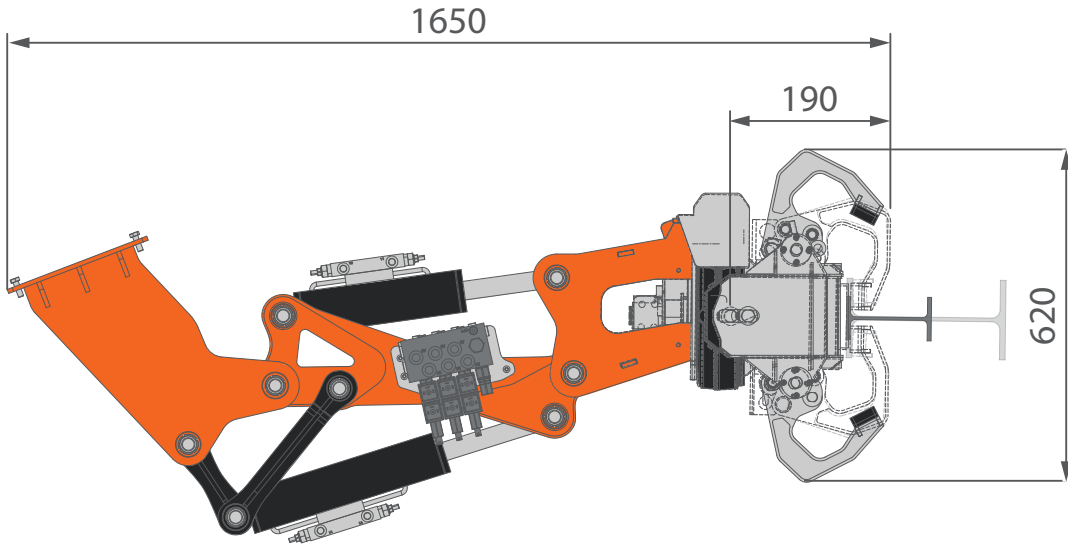


EN 13000:2014

05.02.2025 | Rev1.2

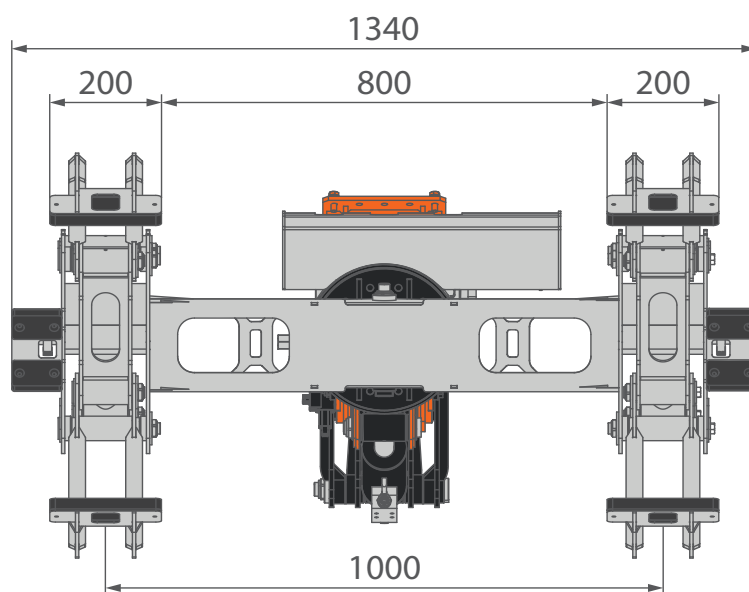
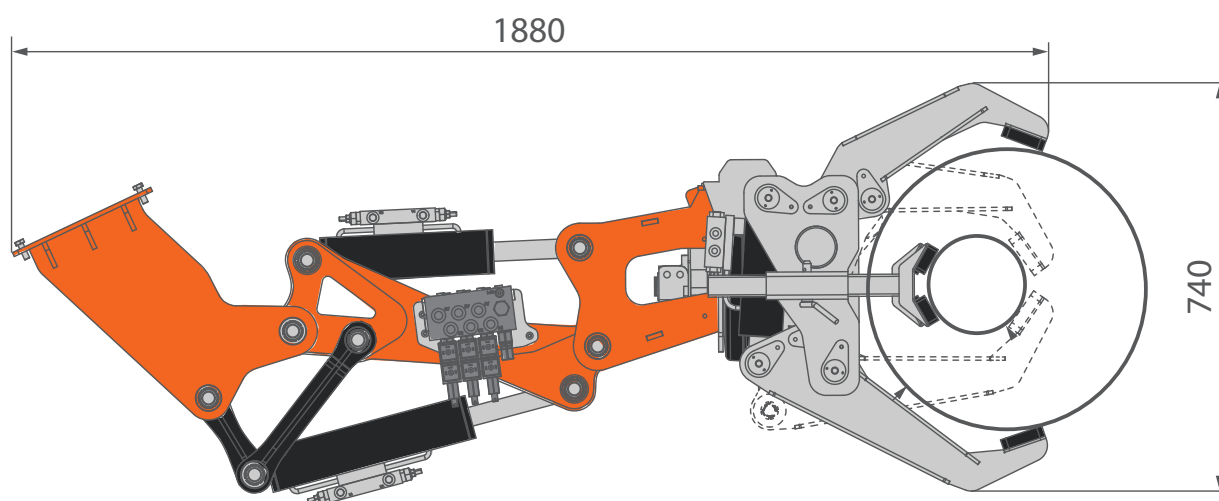
[m] [kg]

## OVERALL DIMENSIONS JIB500GR-BEAM



[mm]

## JIB500GR-PIPE

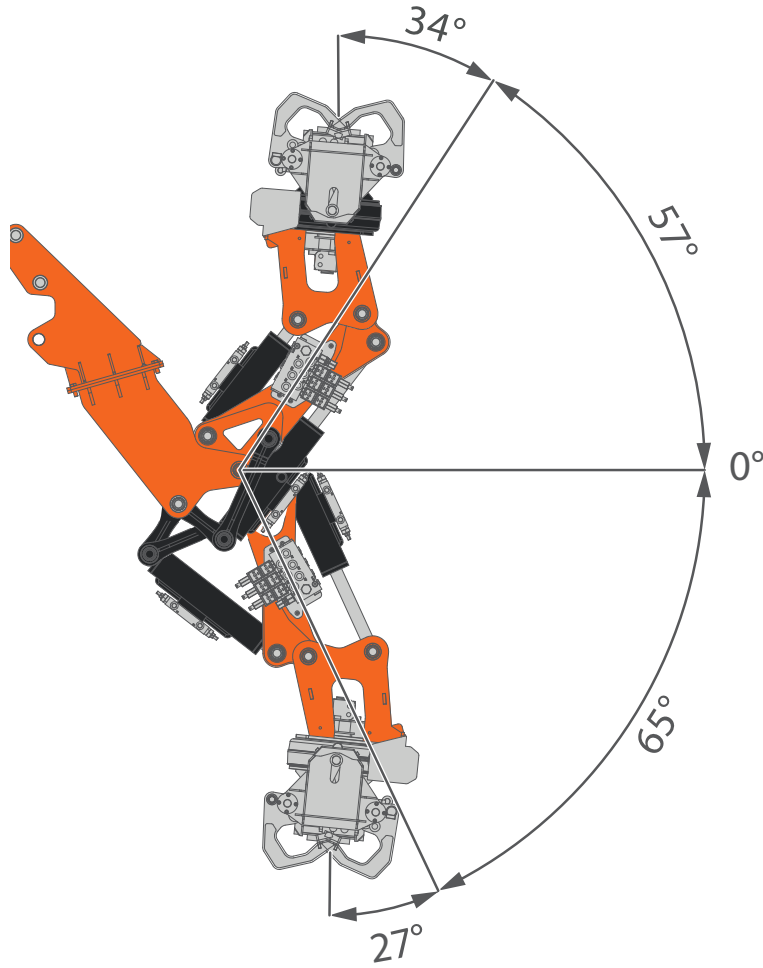


[mm]

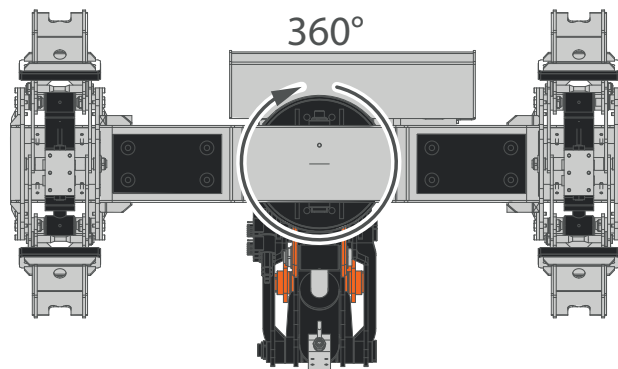
## MOVEMENTS

### TILT

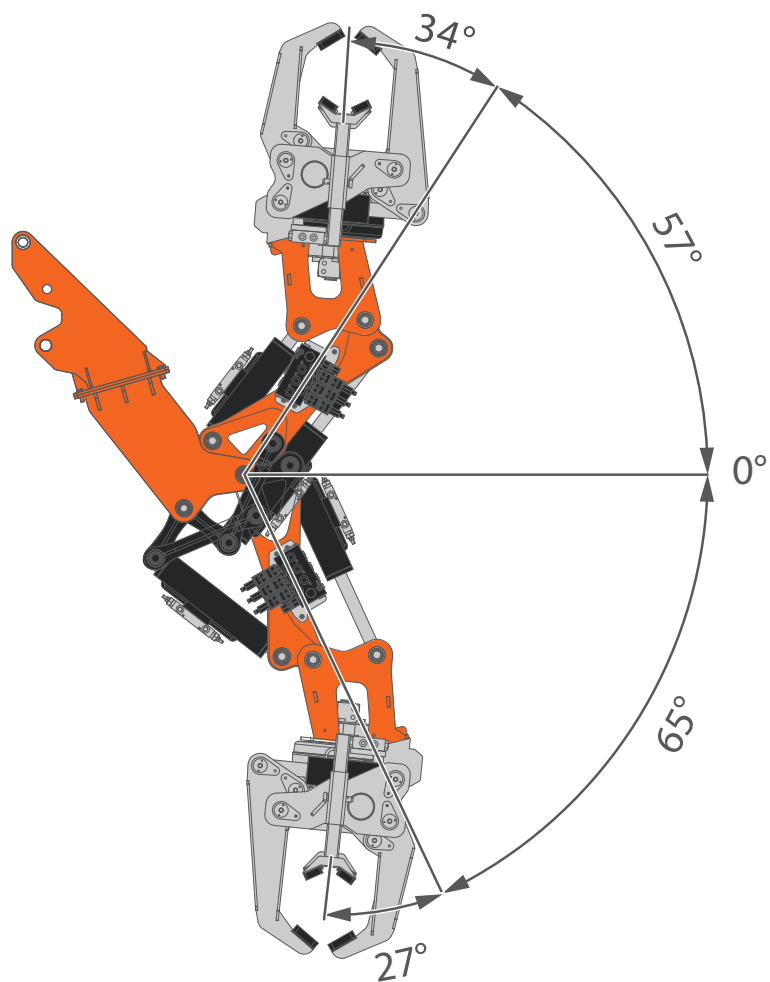
JIB500GR-BEAM



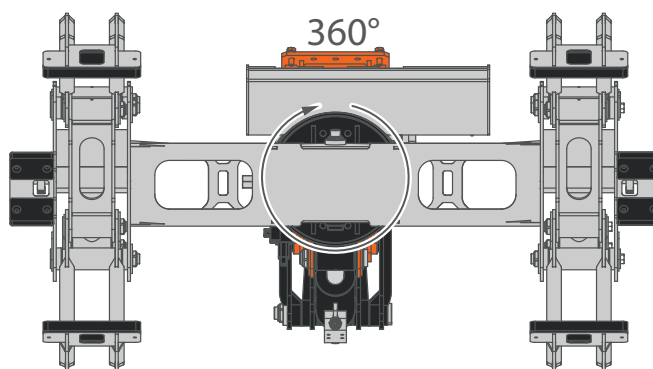
### ROTATION



## TILT JIB500GR-PIPE



## ROTATION



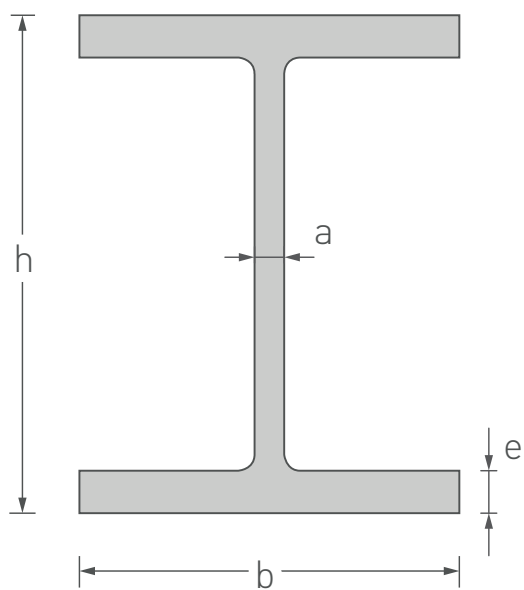
## OVERALL INFORMATIONS

		DESCRIPTION	U.M	VALUE	
JIB INFO		OVERALL DIMENSIONS	JIB500GR-BEAM	Height	620
			Length	1.650	
			Width	1.260	
		JIB500GR-PIPE	Height	740	
			Length	1.880	
			Width	1.340	
		ROTATION	Tilt A		-65° / +57°
			Tilt B		-27° / +34°
			Rotation		360°
		MAXIMUM CAPACITY		kg	500
	WORKING TEMPERATURE		°C	-10°/+40°	

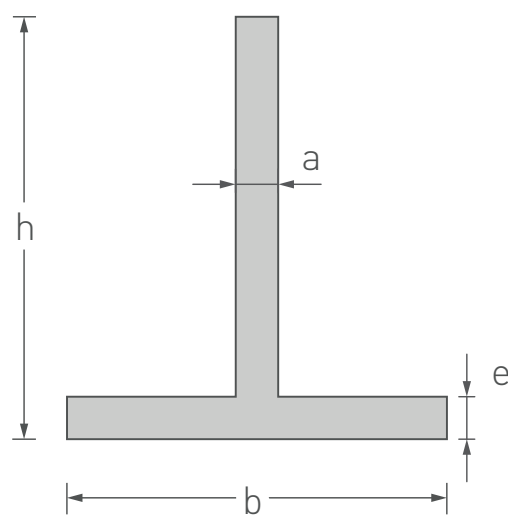
WEIGHT		GRABBER	JIB500GR-BEAM	kg	230
			JIB500GR-PIPE	kg	230
	ADAPTER		SPX532	kg	30
			SPX532.2	kg	30
			SPX650	kg	30
			SPX1280	kg	40

## BEAMS DIMENSIONS TYPES

“I” / “H”

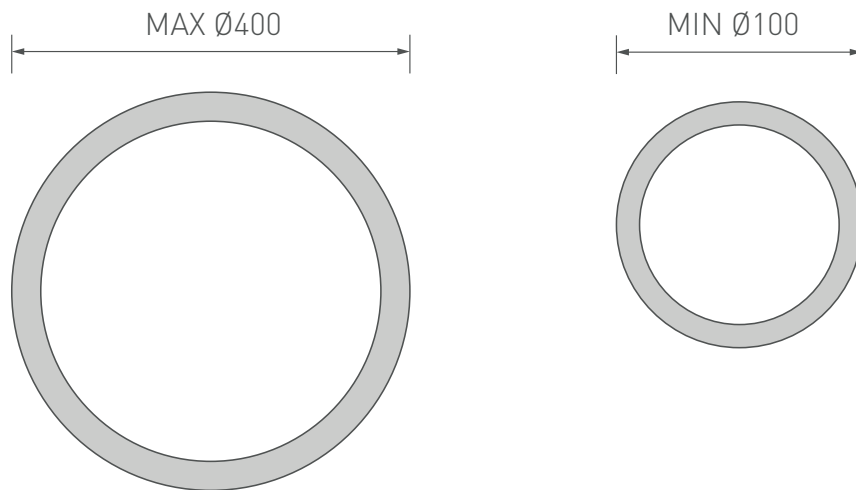


“T”



		MIN	MAX
<b>DIMENSIONS</b>	a	/	10
	b	80	250
	e	6	12
	h	120	300

**PIPES DIMENSIONS**



[mm]



## SYMBOLS



Grabber



Tilt A



Tilt B



Working  
Temperature



Rotation



Maximum  
Capacity

### LOAD CHARTS REMARKS

- Load tables have been calculated following the EN 13000:2014 standard.
- Load tables have been calculated considering a wind load of 13,8 m/s, a sail area of 1m<sup>2</sup>/t and a drag coefficient of 1,2.
- Load capacities are given in kg.
- Hookblocks and hooks weight is part of the load, hence it shall be deducted from the capacity values.
- The working radius is measured form the turret slewing center.
- The supplied Technical Data is part of the Use & Maintenance Manual.
- Features and specifications may change without prior advice.
- All indicated data are for informational purposes only and are not binding as the crane performs differently depending on its use.



**Jekko s.r.l.**

Via Campardone, 1 - 31014 Colle Umberto (TV) - Italy  
info@jekko.it - www.jekko-cranes.com

05.02.2025 | Rev1.2

SERIAL NUMBER: