



Technical Data

Specifications & Capacities

SPX328

Traslantion of the original instructions

[m] [kg]

24.03.2025 | REV3.0



EN 13000:2014

INDEX

Index	2
Crane configuration	4
Overall dimensions	5
Overall Informations.....	6
Winch	9
Hookblock.....	10
Winch rope maximum reach.....	11
Stability areas	12
Tipping line - Load chart selection	13
Stability examples	14
Main boom load chart.....	17
Main boom load tables	18
JIB1000GX load chart	20
JIB1000GX load tables	21
JIB600.1MX load chart	23
JIB600.1MX load tables.....	24
JIB500.1EX load chart	29
JIB500.1EX load tables.....	30
EVO-KIT	32
Tipping line - Load chart selection.....	32
Stability examples.....	33
Main boom load chart.....	36
Main boom load tables.....	37
Main boom load chart - Pick & Carry	40
Main boom load table - Pick & Carry.....	41
JIB1000GX load chart.....	42
JIB1000GX load tables	43
JIB1000GX load chart - Pick & Carry.....	46
JIB1000GX load table - Pick & Carry	47
JIB600.1MX load chart.....	48
JIB600.1MX load tables	49
JIB600.1MX load chart.....	52
JIB600.1MX load tables	53
JIB500.1EX load chart.....	56



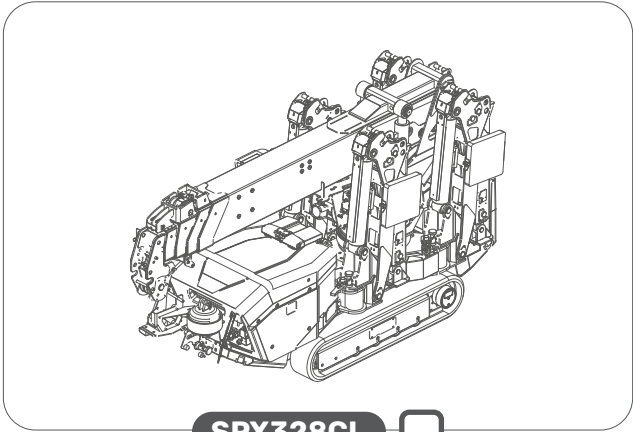
JIB500.1EX load tables	57
JIB500.1EX features	60
JIB1000GX features.....	61
JIB600.1MX features.....	62
Symbols	63

SPX328 CL

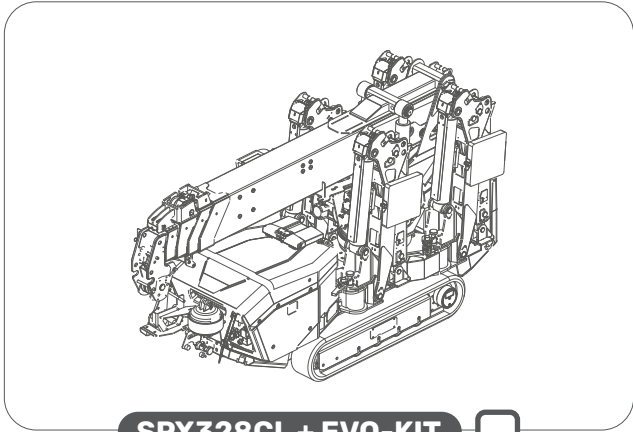
Crane configuration

24.03.2025 | REV3.0

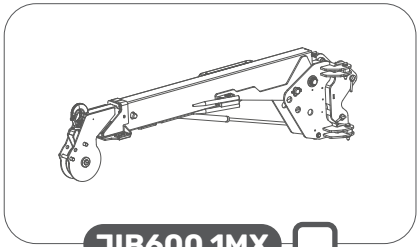
CRANE CONFIGURATION



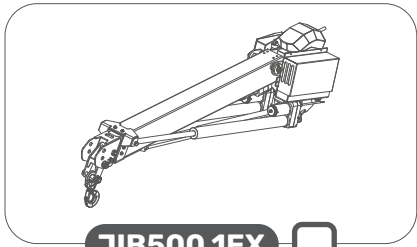
SPX328CL



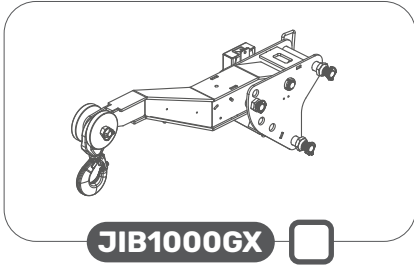
SPX328CL + EVO-KIT



JIB600.1MX

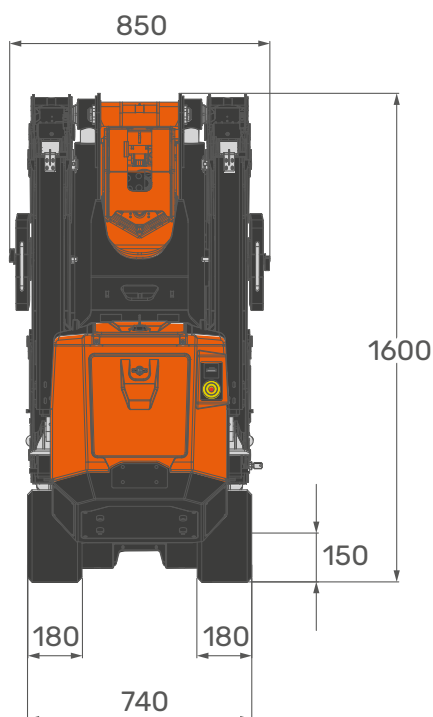
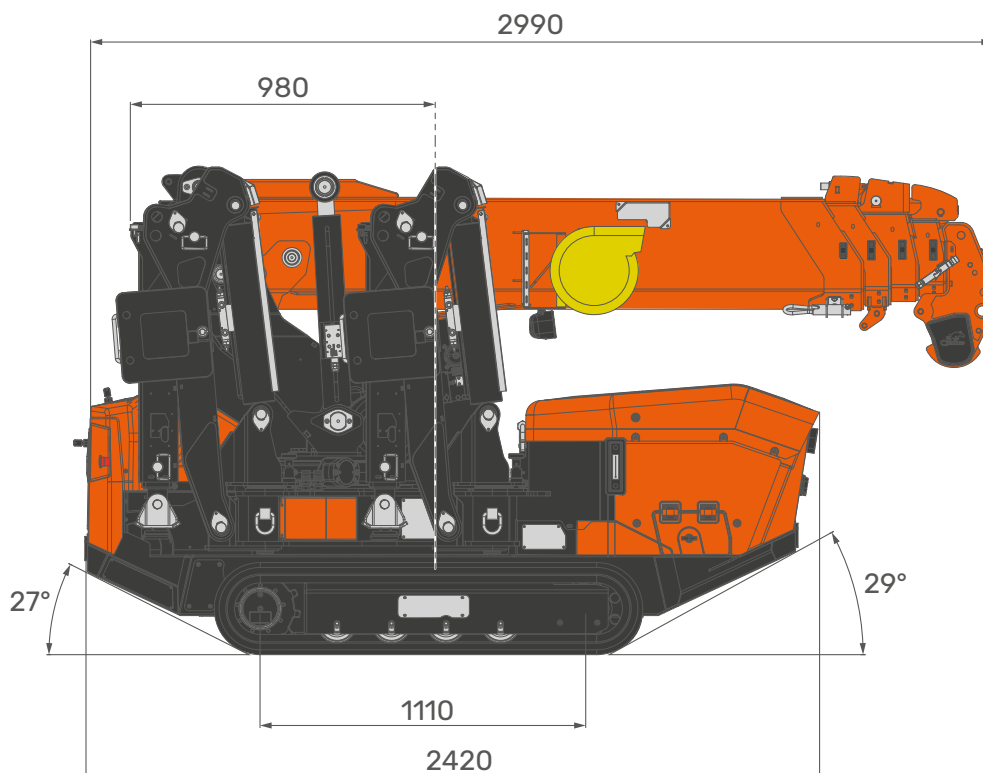


JIB500.1EX



JIB1000GX

OVERALL DIMENSIONS








OVERALL INFORMATIONS

CRANE INFO



	DESCRIPTION	U.M.	VALUE
OVERALL DIMENSIONS	Height	mm	1.600
	Length		2.990
	Width		850
BOOM	Length	m	2,5/8,5
	Speed	s	24 (2,5/8,5 m)
SLEWING	Angle	°	360°
	Speed	rpm	1,2
LIFTING	Working Angle	°	0°/78°
	Speed	s	18 (0°/50°)
MAX CAPACITY		kg	2.800
MAX OUTRIGGERS LOAD		kg	2.100 ^[1]
TRACK LOAD		kg/cm ²	0,60
TRAVEL SPEED	Slow	km/h	1,2
	Fast		2,9
MAX GRADEABILITY		°	18°(32%)
WORKING TEMPERATURE		°C	-10°/+40°
MAX WIND SPEED IN WORKING CONDITIONS		m/s	13,8
Lifting Class (UNI 4301-1)			A3

^[1]: Static lifting

WEIGHT		CRANE	Standard Configuration	kg	2.400 ^{[1][2]}	
		HOOKBLOCK	1 ton single line hook			27
			2.8T-D7	kg	28	
			2T-D7.2		25	
ACCESSORIES		JIB	1000GX	kg	18	
			600.1MX		85	
			500.1EX		120	
		WINCH	W700.60	kg	43	
			W600.135		70	
		WINTER KIT	WUK-01.2	kg	3	
		OUTRIGGERS MATS	OM300.2 (x4)	kg	14	


^[1]: Dry weight


^[2]: Estimated fluids weight = 50 kg

SPX328 CL

Overall informations

24.03.2025 | REV3.0


MOTOR		ELECTRIC MOTORIZATION	Power Supply	Lithium Battery	
			Battery Voltage	V	48
			Battery Capacity	Ah	210
			Motor Power	kW	7

ELECTRICAL SYSTEM		POWER SUPPLY	CE	1 PH (230V) + N + PE	
			UL-CSA	1 PH (110V) + N + PE	
				2x 1 PH (220V) + PE	

BATTERY CHARGER	CE	1 PH (230V) + N + PE	Charge	V	48
				Ah	40
	UL-CSA	1 PH (110V) + N + PE	Charge	V	48
				Ah	20
		2x 1 PH (220V) + PE	Charge	V	48
				Ah	20

EXTERNAL CHARGER		POWER SUPPLY	CE	3 PH (400V) + PE	
-------------------------	---	---------------------	----	------------------	--

BATTERY CHARGER	CE	3 PH (400V) + PE	Charge	V	48
				Ah	140

HYDRAULIC SYSTEM		MAX WORKING PRESSURE		bar	210	
		TANK CAPACITY		L	35	
		HYDRAULIC SYSTEM CAPACITY		L	55	
		OIL	OIL-1280		Biodegradable	ISO VG46
			ARTIC-OIL-1280		Mineral	ISO VG46
		PUMP	Displacement		cm ³ /rev	15
			Max Oil Flow		L/min	25

WINCH

W700.60



LAYER	MAX PULL LINE kg	ROPE SPEED	
		SLOW	
		m/min	
1	1.000 ^[1]	38	
2	920 ^[1]	42	
3	850 ^[1]	45	
4	790 ^[1]	49	
5	730 ^[1]	53	

ROPE

WIRE ROPE	BREAKING LOAD	∅	TOTAL LENGTH
	kg	mm	m
Anti-twist 19x7 right lang lay	4.637	7	62

W600.135



LAYER	MAX PULL LINE kg	ROPE SPEED	
		SLOW	
		m/min	
1	770 ^[2]	20	
2	730 ^[2]	21	
3	690 ^[2]	22	
4	660 ^[2]	23	
5	630 ^[2]	24	
6	600	25	
7	570	26	

ROPE

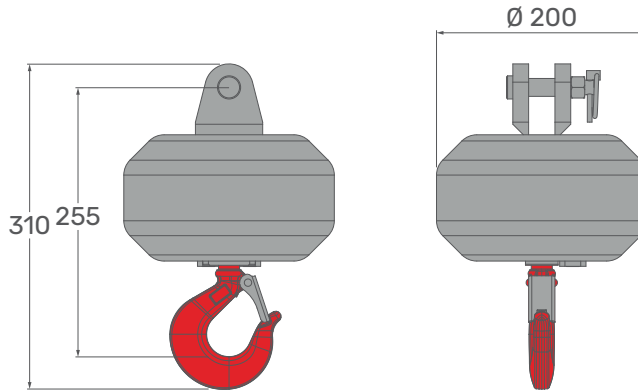
WIRE ROPE	BREAKING LOAD	∅	TOTAL LENGTH
	kg	mm	m
Anti-twist 19x7 right lang lay	3.405	6	135

^[1]: LMI limited at 700 kg.

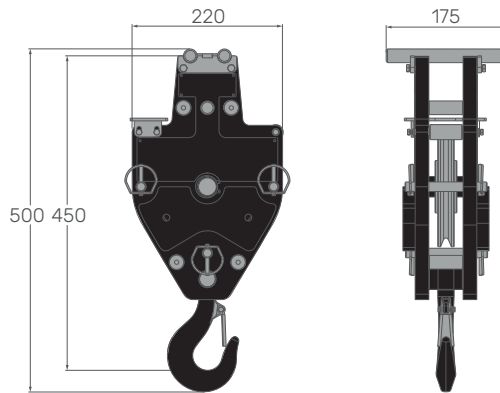
^[2]: LMI limited at 600 kg.

Maximum speed and maximum lifting capacity cannot be contemporary.

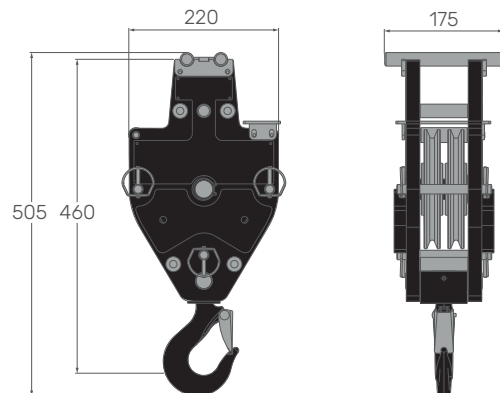
HOOKBLOCK



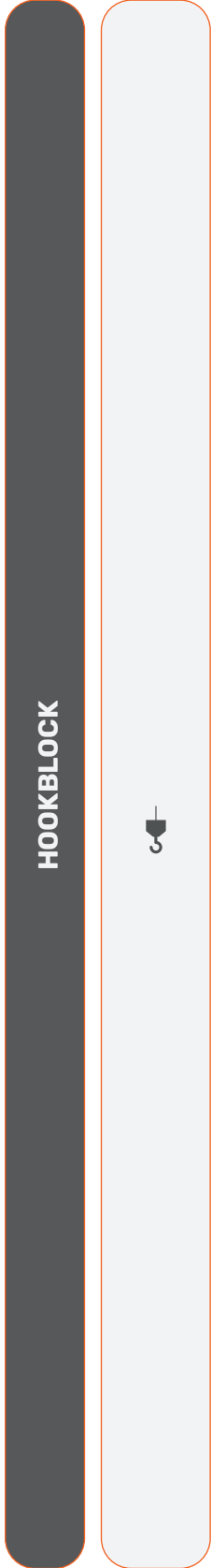
MODEL	LOAD		N° OF	
			Sheaves	Lines
1 ton single line hook	kg	700	-	1



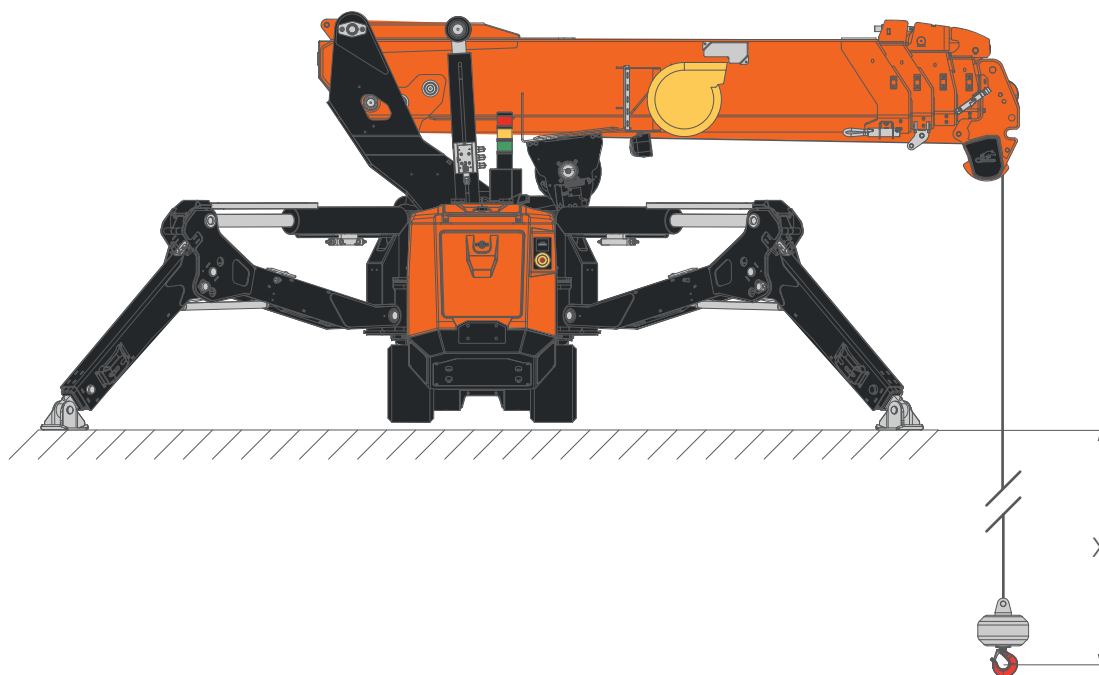
MODEL	LOAD		N° OF	
			Sheaves	Lines
2T-D7.2	kg	1.400	1	2



MODEL	LOAD		N° OF	
			Sheaves	Lines
2.8T-D7	kg	2.800	2	4



WINCH ROPE MAX REACH

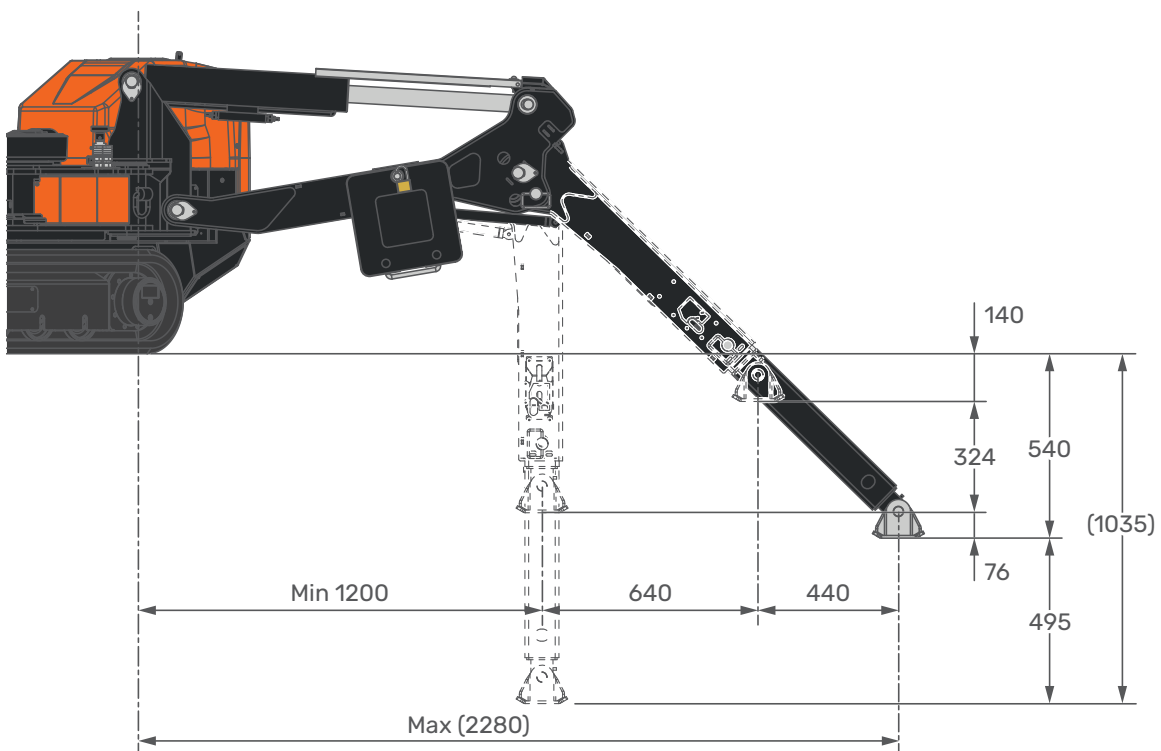
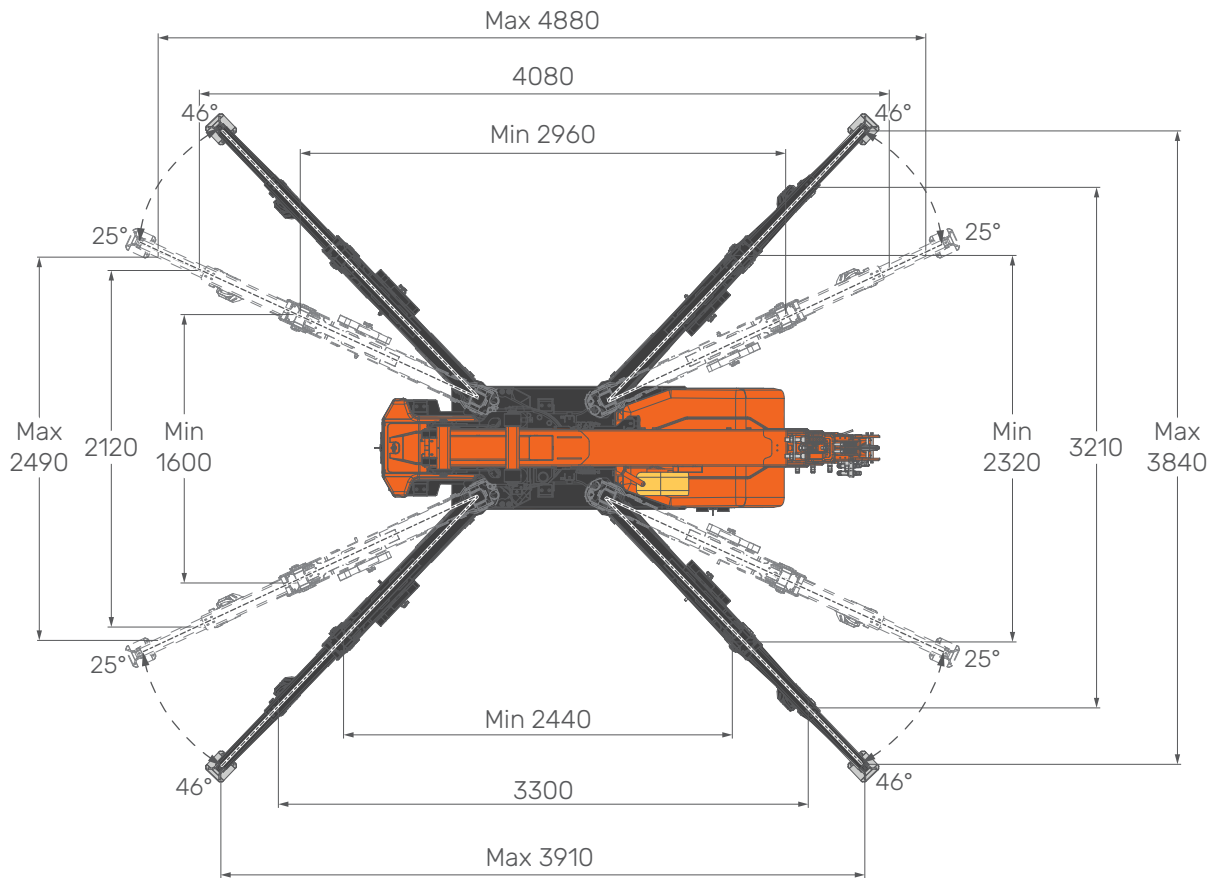


ROPE



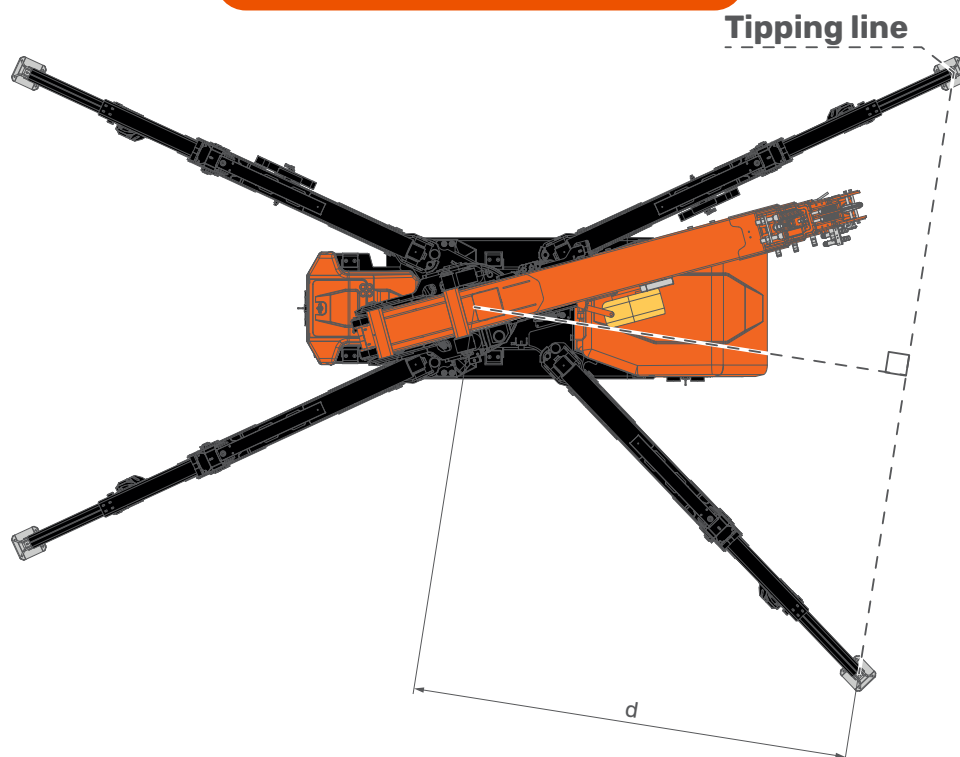
WINCH	W700.60	m	56
	W600.135		128

STABILITY AREAS



[mm]

TIPPING LINE



LOAD CHART SELECTION

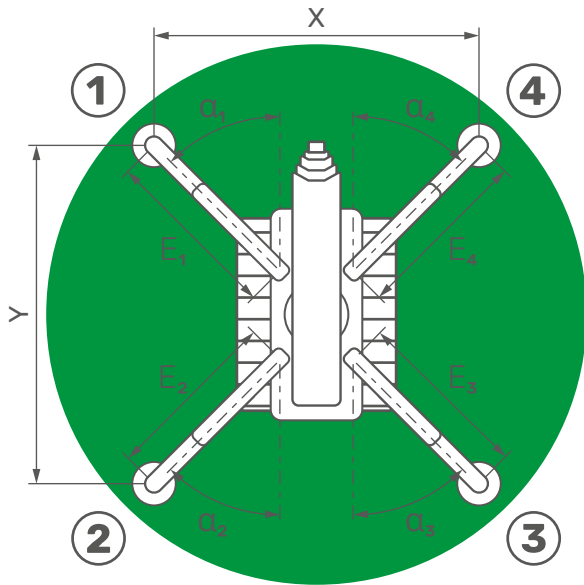
LOAD CHART				d = 1,01m	d = 1,54m	d = 1,86m
						J7
					J6	
				J5		
J1 - PICK & CARRY						
J0 - NO LIFTING CAPACITY						

STABILITY AREA

LOAD CHART	FUNCTION
J5-J7	Crane Stabilized
J1	Pick & Carry
J0	No Lifting Capacity

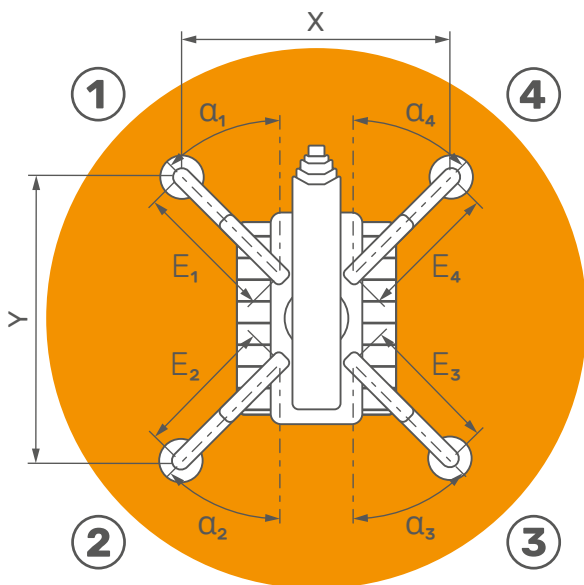
CRANE PERFORMANCE

STABILITY EXAMPLES



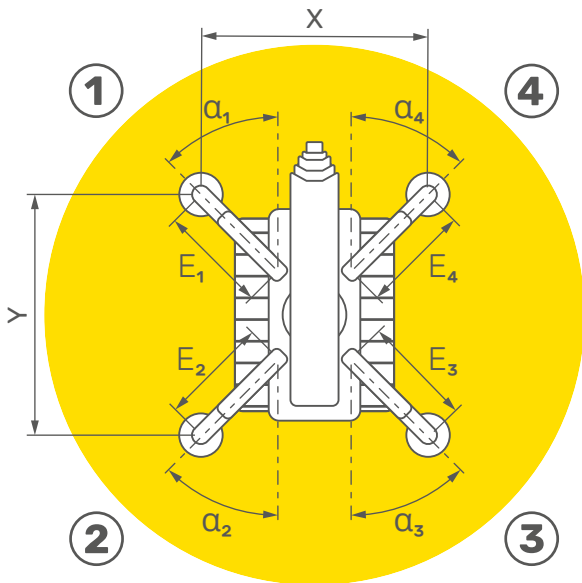
FULLY SYMMETRIC STABILITY

OUTRIGGERS EXTENSION	OUTRIGGERS ANGLE	
	FOOTPRINT DIMENSIONS	
	X	3,8 m
	Y	3,9 m
	α_1	46°
	α_2	46°
	α_3	46°
	α_4	46°
	E_1	2,3 m
	E_2	2,3 m
	E_3	2,3 m
	E_4	2,3 m
J7		360°



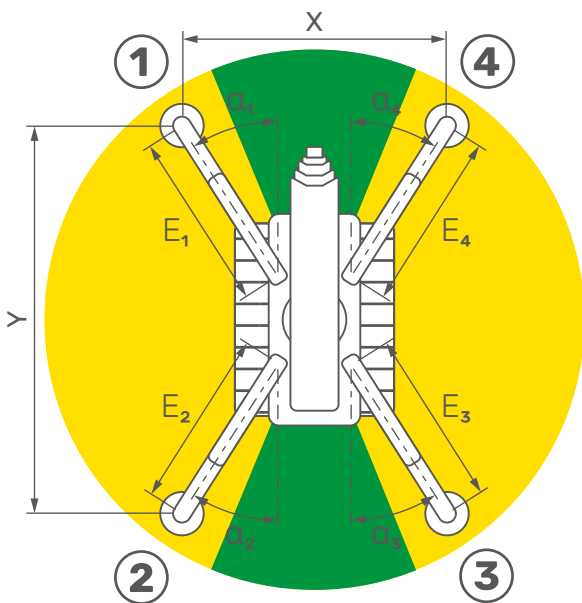
FULLY SYMMETRIC STABILITY

OUTRIGGERS EXTENSION	OUTRIGGERS ANGLE	
	FOOTPRINT DIMENSIONS	
	X	3,2 m
	Y	3,3 m
	α_1	46°
	α_2	46°
	α_3	46°
	α_4	46°
	E_1	1,8 m
	E_2	1,8 m
	E_3	1,8 m
	E_4	1,8 m
J6		360°



FULLY SYMMETRIC STABILITY

FOOTPRINT DIMENSIONS	X	2,3 m
OUTRIGGERS ANGLE	α_1	46°
OUTRIGGERS EXTENSION	α_2	46°
	α_3	46°
	α_4	46°
	E_1	1,2 m
	E_2	1,2 m
	E_3	1,2 m
	E_4	1,2 m
J5		360°



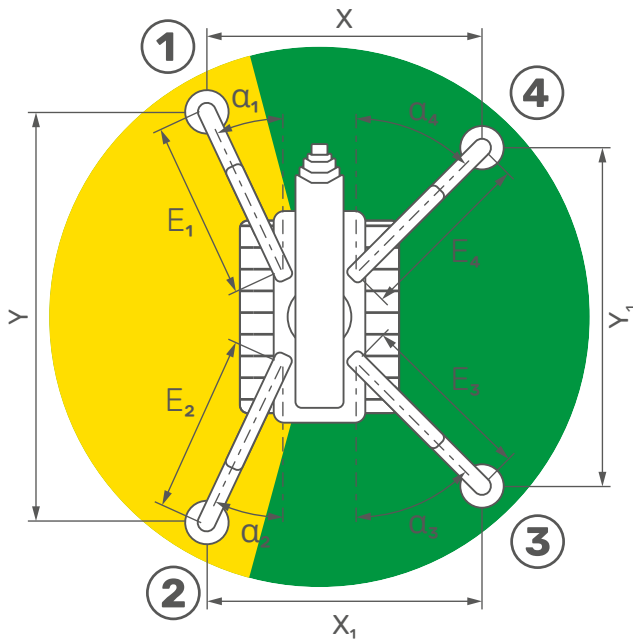
FULLY SYMMETRIC STABILITY

FOOTPRINT DIMENSIONS	X	2,5 m
OUTRIGGERS ANGLE	Y	4,9 m
OUTRIGGERS EXTENSION	α_1	25°
	α_2	25°
	α_3	25°
	α_4	25°
	E_1	2,3 m
	E_2	2,3 m
	E_3	2,3 m
	E_4	2,3 m
J5		2x 144°
J7		2x 36°

SPX328 CL

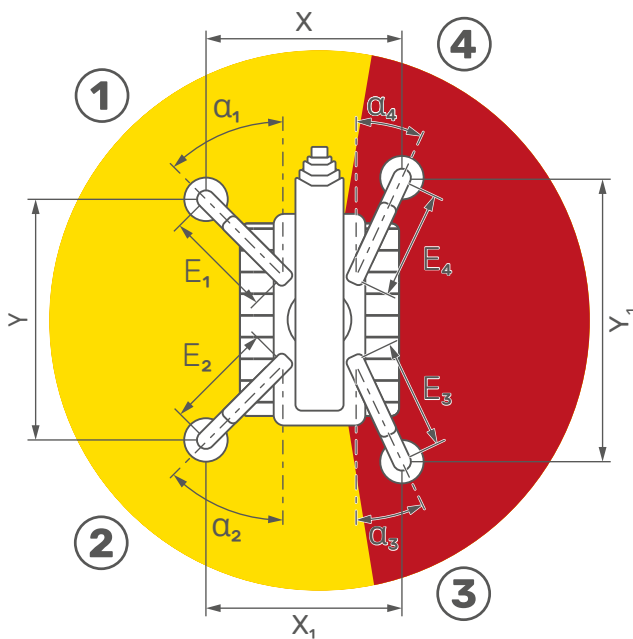
Stability examples

24.03.2025 | REV3.0



ASYMMETRIC STABILITY

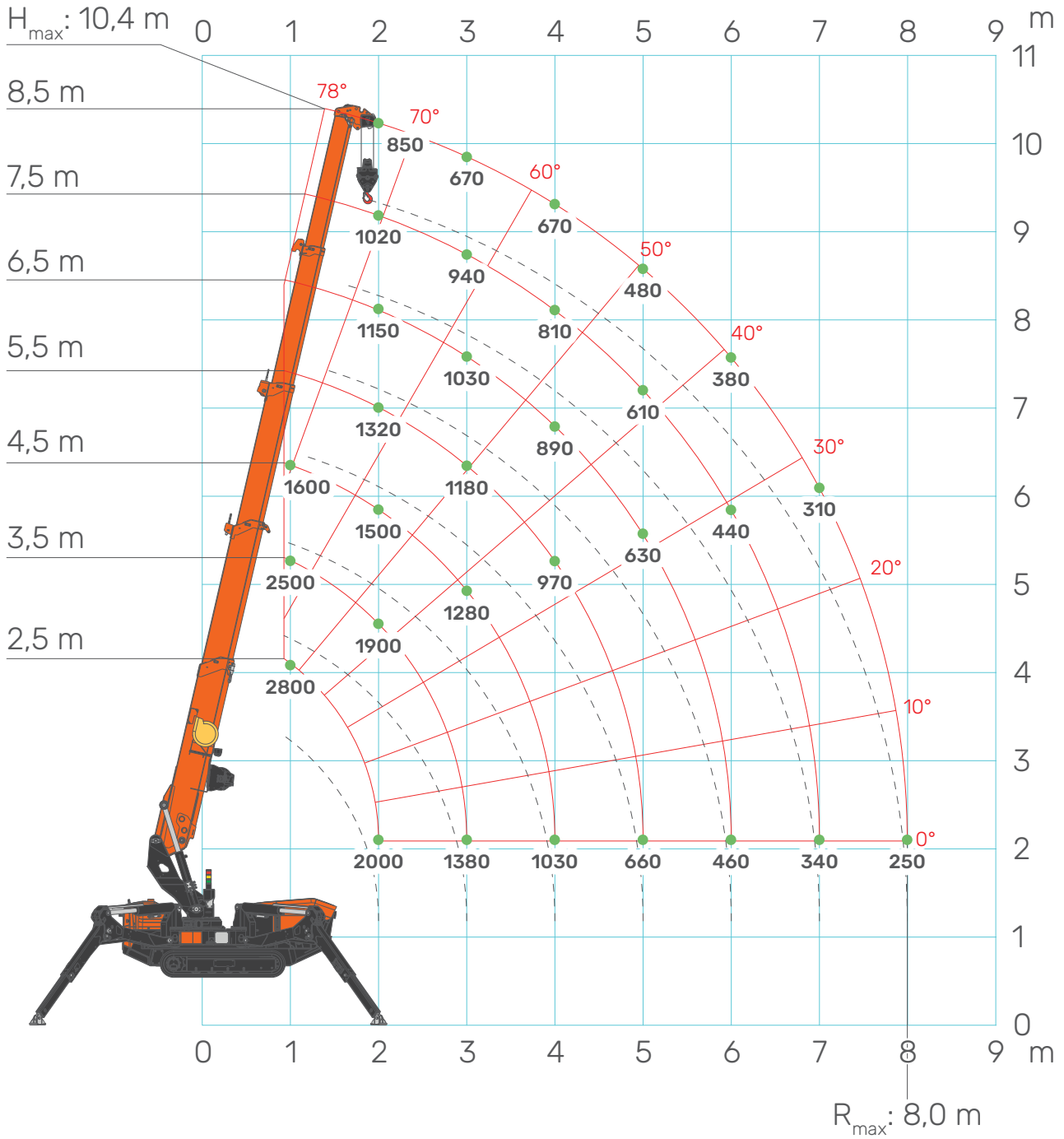
FOOTPRINT DIMENSIONS	X	2,2 m
X ₁	2,2 m	
Y	5,3 m	
Y ₁	4,0 m	
OUTRIGGERS ANGLE	α_1	25°
α_2	25°	
α_3	46°	
α_4	46°	
OUTRIGGERS EXTENSION	E ₁	2,3 m
E ₂	2,3 m	
E ₃	2,3 m	
E ₄	2,3 m	
J5	144°	
J7	216°	



ASYMMETRIC STABILITY

FOOTPRINT DIMENSIONS	X	1,9 m
X ₁	1,9 m	
Y	2,4 m	
Y ₁	2,9 m	
OUTRIGGERS ANGLE	α_1	46°
α_2	46°	
α_3	25°	
α_4	25°	
OUTRIGGERS EXTENSION	E ₁	1,2 m
E ₂	1,2 m	
E ₃	1,2 m	
E ₄	1,2 m	
J0	143°	
J5	217°	

MAIN BOOM



[kg]

CRANE PERFORMANCE: J7

L [m]→	2,5	3,5	4,0	4,5	5,5	6,5	7,5	8,0	8,5
1	2800	2500	2000	1600					
2	2000	1900	1800	1500	1320	1150	1020	950	850
3		1380	1350	1280	1180	1030	940	910	670
3,5			1180	1160	1080	960	880	850	630
4				1030	970	890	810	790	580
5					660	630	610	590	480
6						460	440	420	380
7							340	330	310
7,5								280	270
7,9									250
[↑] R[m]	[kg]	328__107EU__0924_C0_J7 - 328__107EU__0924_C1_J7							

CRANE PERFORMANCE: J6

L [m]→	2,5	3,5	4,0	4,5	5,5	6,5	7,5	8,0	8,5
1	2800	2500	2000	1600					
2	2000	1900	1800	1500	1320	1150	1020	950	850
3		1360	1240	1190	1140	1030	940	910	670
3,5			950	930	890	860	830	810	630
4				730	730	700	680	670	580
5					490	490	490	480	450
6						350	350	350	350
7							260	260	260
7,5								230	230
7,9									200
[↑] R[m]	[kg]	328__107EU__0924_C0_J6 - 328__107EU__0924_C1_J6							

CRANE PERFORMANCE: J5

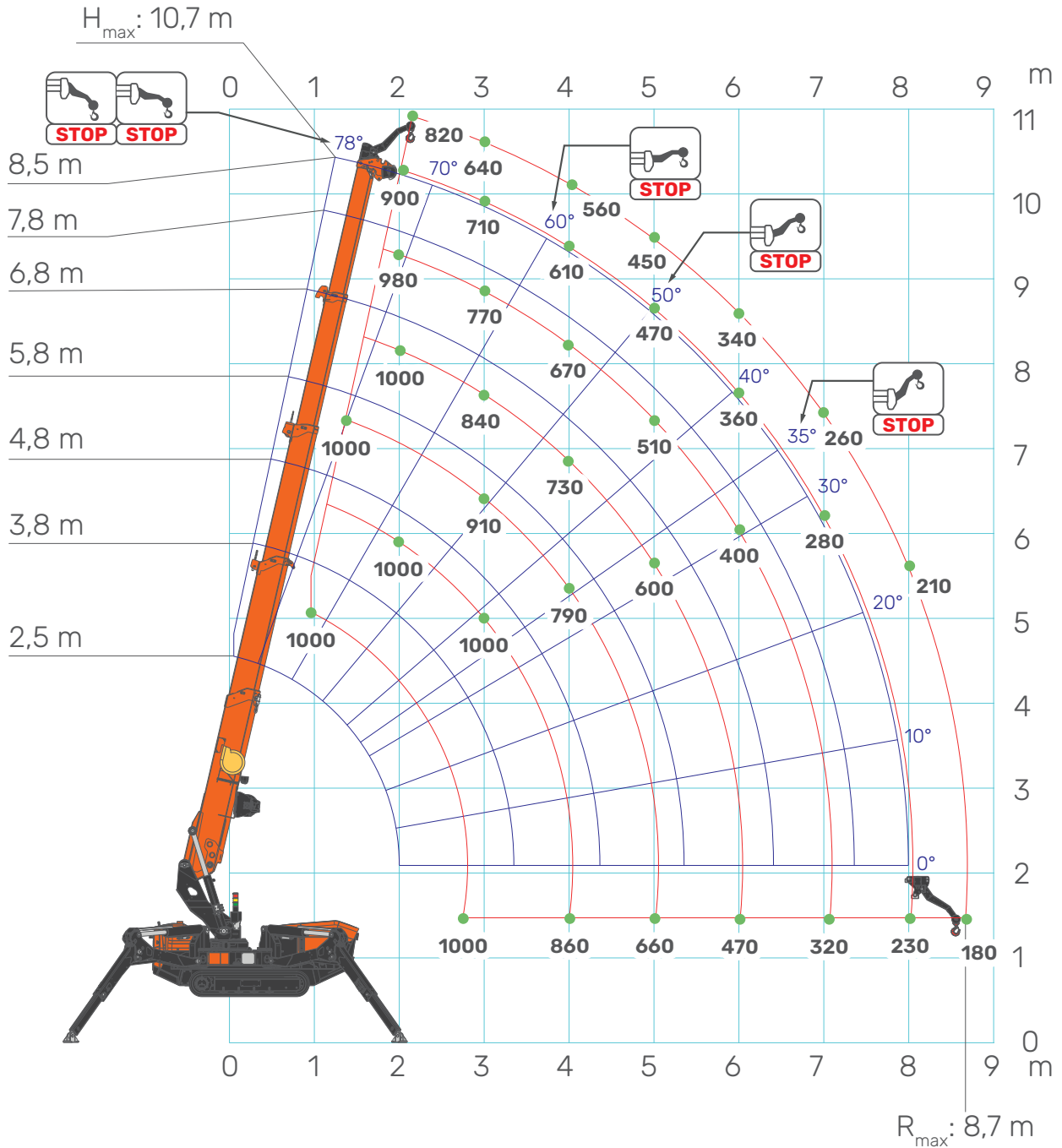
L [m]→	2,5	3,5	4,0	4,5	5,5	6,5	7,5	8,0	8,5
1	2800	2500	2000	1600					
2	1460	1080	1000	980	930	880	830	810	790
3		580	520	520	510	500	480	470	470
3,5			410	400	400	390	380	380	370
4				320	320	310	310	310	300
5					210	210	210	210	210
5,9						140	140	140	140
↑R [m]	[kg]	<small>328__107EU__0924_C0_J5 - 328__107EU__0924_C1_J5</small>							

SPX328 CL

JIB1000GX load chart

24.03.2025 | REV3.0

JIB1000GX



*The word "STOP" stands for the maximum working angle of the main boom for the displayed jib configuration.

[kg]

CRANE PERFORMANCE: J7

L [m]→	2,5	2,8	3,8	4,8	5,8	6,8	7,3	7,8	8,5
1	1000	1000	1000	1000	1000				
2	1000	1000	1000	1000	1000	980	960	900	830
3		1000	1000	910	840	770	740	710	640
4			860	790	730	670	640	610	560
5				660	600	510	490	470	450
6					470	400	380	360	340
7						320	300	280	260
7,5							260	250	230
8								230	210
8,7									180
↑R [m]	[kg]	328__107EU__0924_C8_J7							

CRANE PERFORMANCE: J6

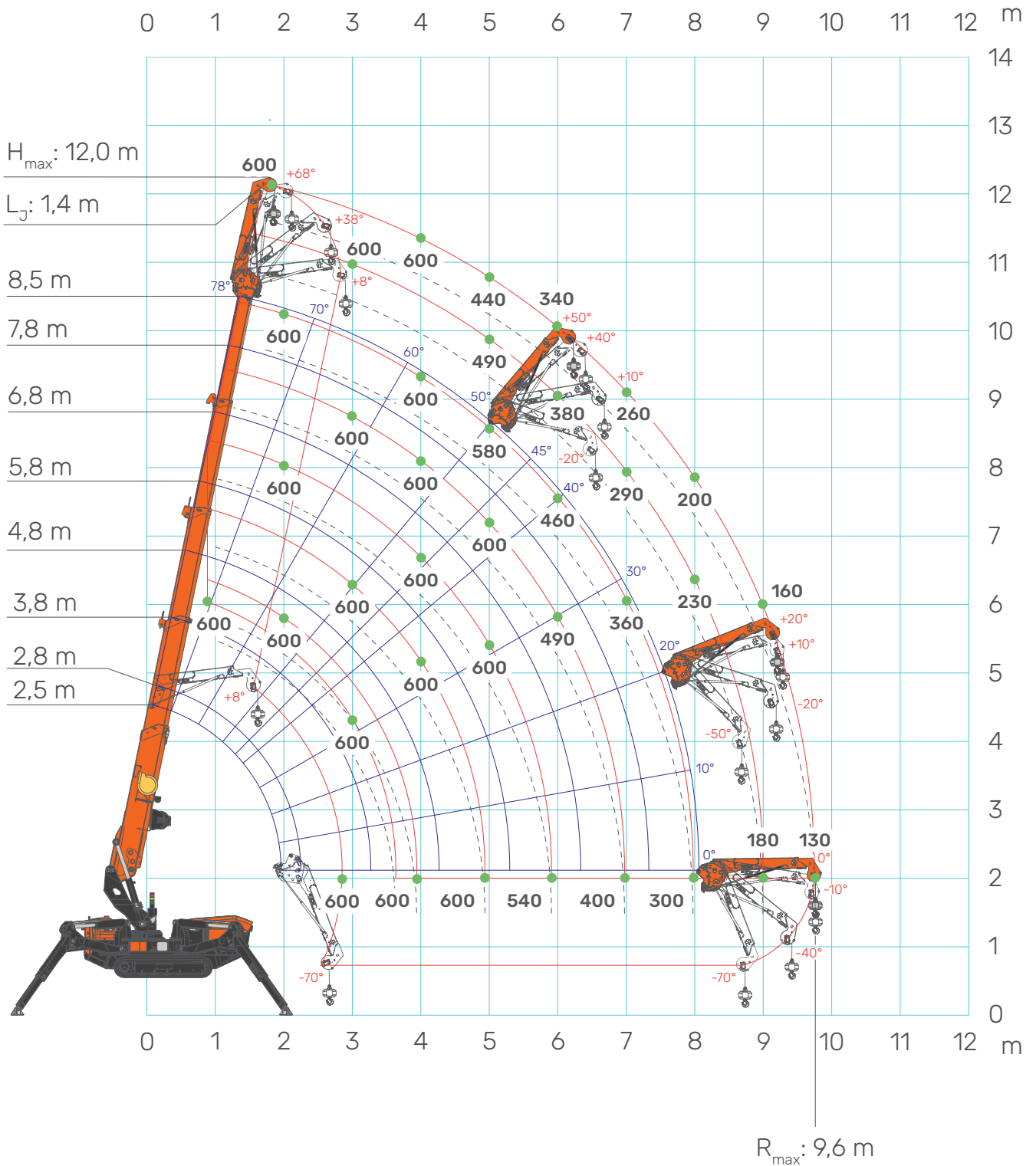
L [m]→	2,5	2,8	3,8	4,8	5,8	6,8	7,3	7,8	8,5
1	1000	1000	1000	1000	1000				
2	1000	1000	1000	1000	1000	980	960	900	830
3		1000	1000	910	840	770	740	710	640
4			760	720	690	660	640	610	560
5				490	490	480	470	460	430
6					350	350	350	350	330
7						260	260	260	260
7,5							230	230	230
8								200	200
8,7									160
↑R [m]	[kg]	328__107EU__0924_C8_J6							

CRANE PERFORMANCE: J5

L [m]→	2,5	2,8	3,8	4,8	5,8	6,8	7,3	7,8	8,5
1	1000	1000	1000	1000	1000				
2	1000	1000	1000	930	870	820	800	780	740
3		670	550	510	490	470	460	450	440
4			340	320	310	300	300	290	290
5				220	210	200	200	200	190
5,9					140	140	140	130	130
↑R [m]	[kg]	328__107EU__0924_C8_J5							

JIB600.1MX

CLOSED CONFIGURATION



[kg]

CRANE PERFORMANCE: J7

L [m]→	2,5	2,9	3,9	4,9	5,9	6,9	7,9	8,5
1	600	600	600	600				
4		600	600	600	600	600	600	600
5			600	600	600	580	490	440
6				540	490	460	380	340
7					400	360	290	260
8						300	230	200
9							180	160
9,6								130
↑R[m]	[kg]	328__107EU__0924_C32_J7 - 328__107EU__0924_C33_J7						

CRANE PERFORMANCE: J6

L [m]→	2,5	2,9	3,9	4,9	5,9	6,9	7,9	8,5
1	600	600	600	600				
3	600	600	600	600	600	600	600	600
4		600	600	600	600	600	580	550
5			540	490	490	490	430	410
6				370	330	330	330	310
7					270	240	240	230
8						190	170	160
9							140	130
9,6								110
↑R[m]	[kg]	328__107EU__0924_C32_J6 - 328__107EU__0924_C33_J6						

CRANE PERFORMANCE: J5

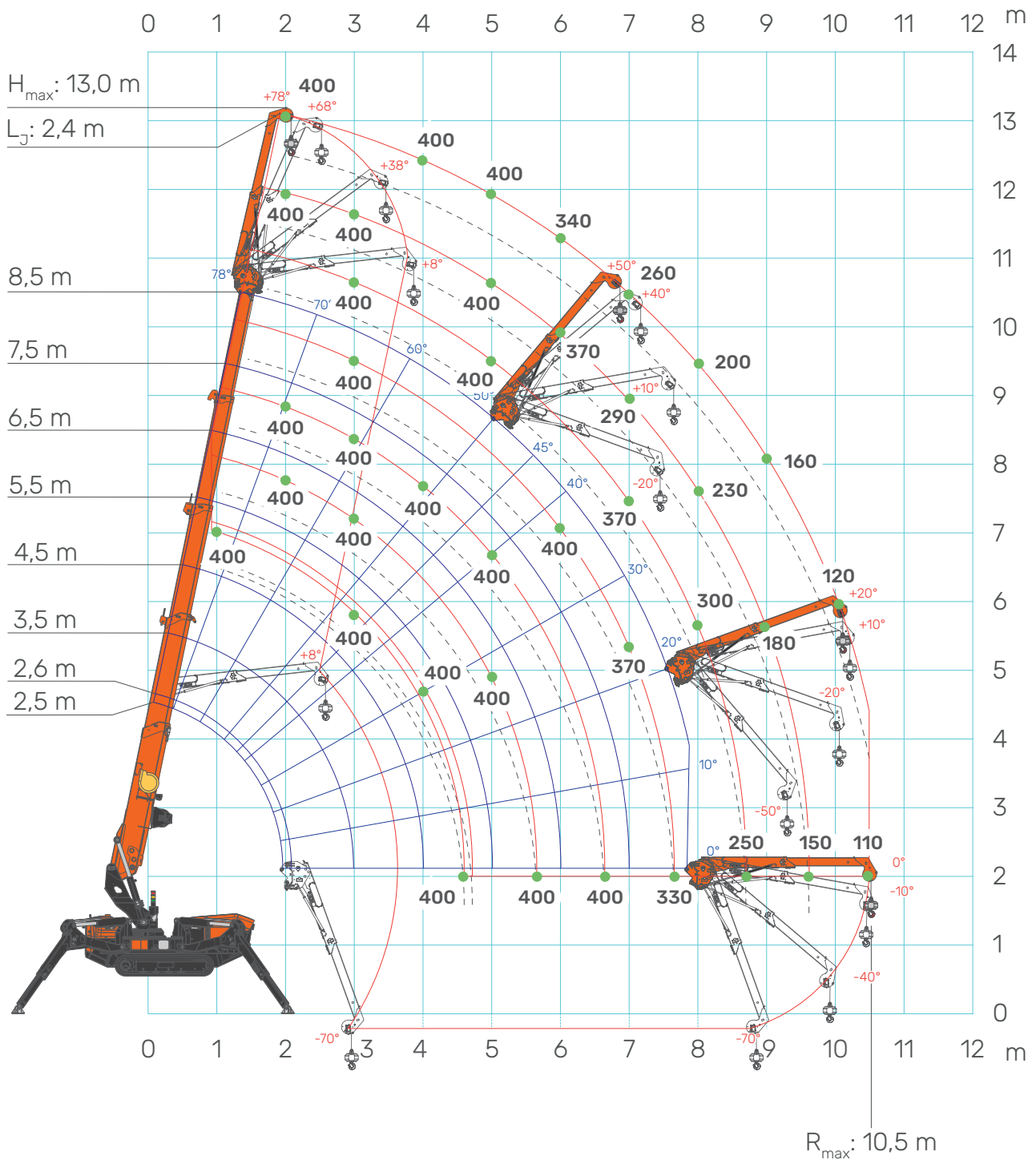
L [m]→	2,5	2,9	3,9	4,9	5,9	6,9	7,9	8,5
1	600	600	600	600				
2	600	600	600	600	600	600	600	600
3	600	600	550	500	480	460	430	400
4		320	320	320	300	290	270	260
5			180	180	180	180	170	160
5,9				110	110	100	100	100
6,9					160	130	130	130
↑R[m]	[kg]	328__107EU__0924_C32_J5 - 328__107EU__0924_C33_J5						

SPX328 CL

JIB600.1MX load chart

24.03.2025 | REV3.0

EXTENDED CONFIGURATION



CRANE PERFORMANCE: J7

L [m]→	2,5	2,9	3,9	4,9	5,9	6,9	7,9	8,5
1	400	400	400	400				
5		400	400	400	400	400	400	400
6			400	400	400	400	370	340
7				400	370	370	290	260
8					330	300	230	200
9						250	180	160
10							150	120
10,5								110
↑R[m]	[kg]	328__107EU__0924_C40_J7 - 328__107EU__0924_C41_J7						

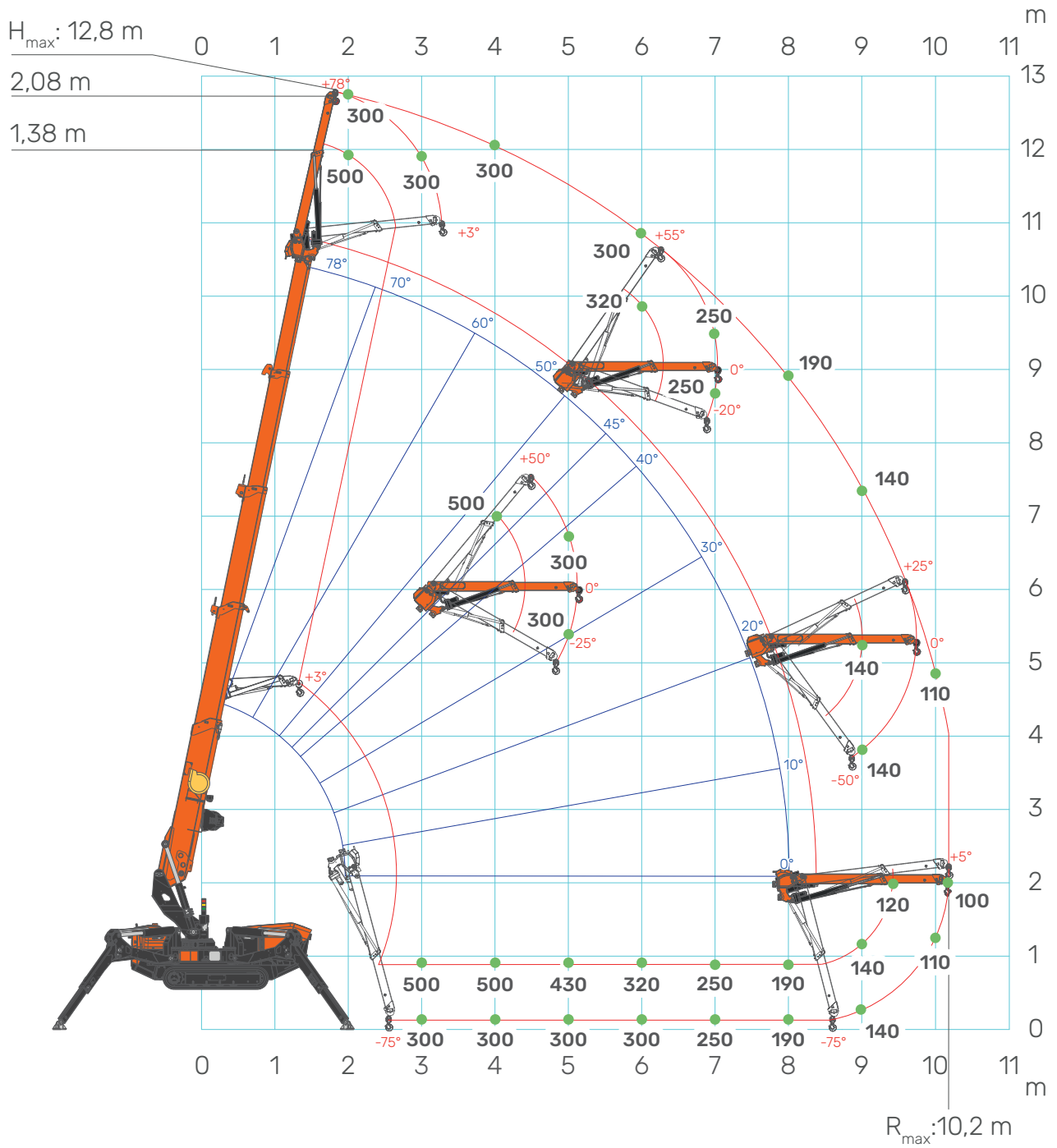
CRANE PERFORMANCE: J6

L [m]→	2,5	2,9	3,9	4,9	5,9	6,9	7,9	8,5
1	400	400	400	400				
5		400	400	400	400	400	400	400
6			400	340	340	310	310	310
7				250	230	230	230	230
8					220	180	180	180
9						150	130	130
10							120	120
10,5								100
↑R[m]	[kg]	328__107EU__0924_C40_J6 - 328__107EU__0924_C41_J6						

CRANE PERFORMANCE: J5

L [m]→	2,5	2,9	3,9	4,9	5,9	6,9	7,9	8,5
1	400	400	400	400	400	400	400	400
2	400	400	400	400	400	400	400	400
3	400	400	400	400	400	400	400	400
4	400	400	300	300	280	280	250	250
5		250	190	190	190	180	180	180
5,9			150	120	120	120	120	120
↑R[m]	[kg]	328__107EU__0924_C40_J5 - 328__107EU__0924_C41_J5						

JIB500.1EX



[kg]

CRANE PERFORMANCE: J7

L _j [m]→	1,38	1,43	2,08
1	500	500	300
2	500	500	300
3	500	500	300
4	500	500	300
5	430	430	300
6	320	320	300
7	250	250	250
8	190	190	190
9	140	140	140
9,7	120	120	120
10			110
10,2			100
↑R[m]	[kg]	328...107EU...0924_C49_J7	

CRANE PERFORMANCE: J6

L _j [m]→	1,38	1,43	2,08
1	500	500	300
2	500	500	300
3	500	500	300
4	500	500	300
5	430	430	300
6	310	310	300
7	220	220	220
8	150	150	150
9	130	130	130
9,75	100	100	100
10			100
10,2			100
↑R[m]	[kg]	328...107EU...0924_C49_J6	

CRANE PERFORMANCE: J5

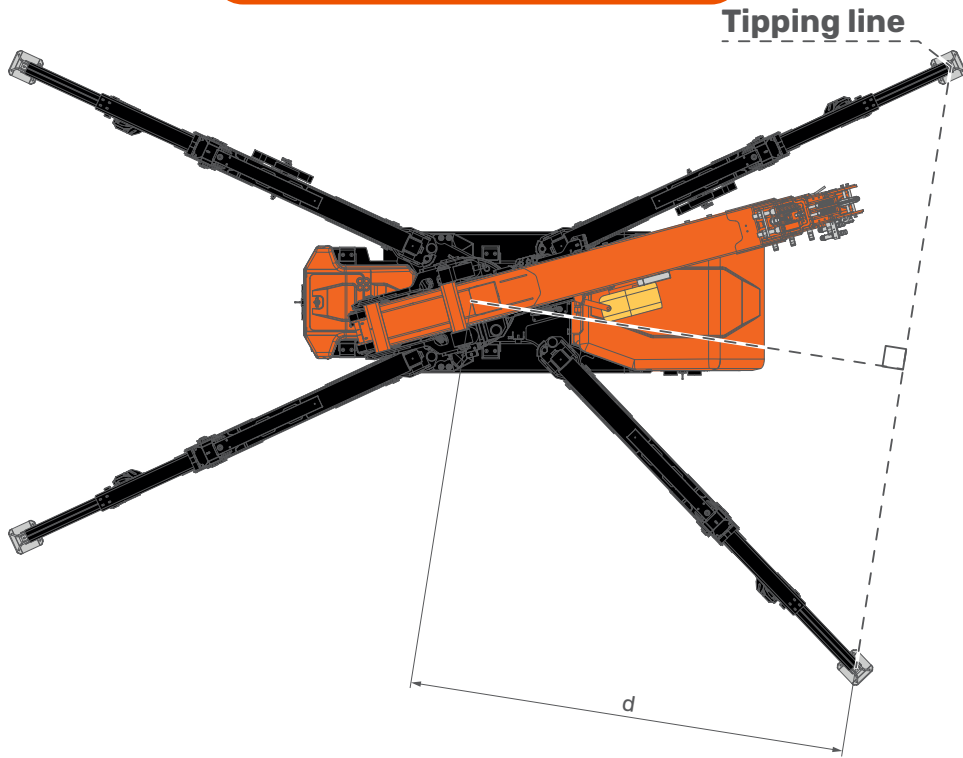
L_j [m] →	1,38	1,43	2,08
1	500	500	300
2	500	500	300
3	370	370	300
4	220	220	220
4,8	120	120	120
$\uparrow R$ [m]	[kg]	328...107EU...0924_C49_J5	

SPX328 CL EVO-KIT

24.03.2025 | REV3.0

Tipping line - Load chart selection

TIPPING LINE



LOAD CHART SELECTION

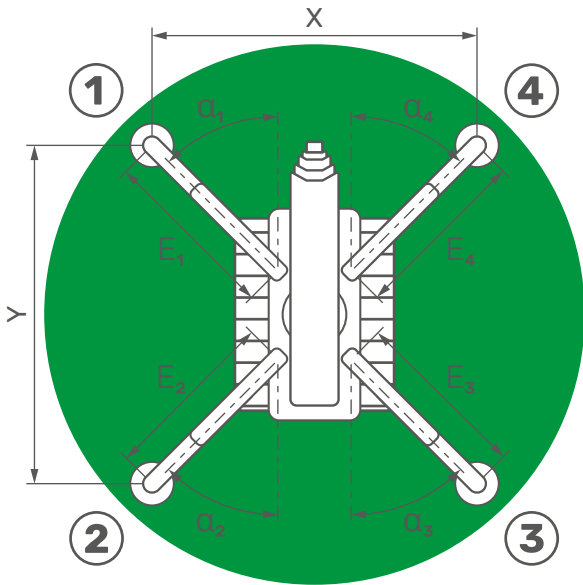
	d = 0,74m	d = 1,02m	d = 1,15m	d = 1,32m	d = 1,49m	d = 1,86m
LOAD CHART						J7
					J6	
				J5		
			J4			
		J3				
	J2					
J1 - PICK & CARRY						
J0 - PICK & CARRY WITH LIMITED SLEWING						

STABILITY AREA

LOAD CHART	FUNCTION
J2-J7	Crane Stabilized
J1	Pick & Carry
J0	Pick & Carry with Limited Slewing

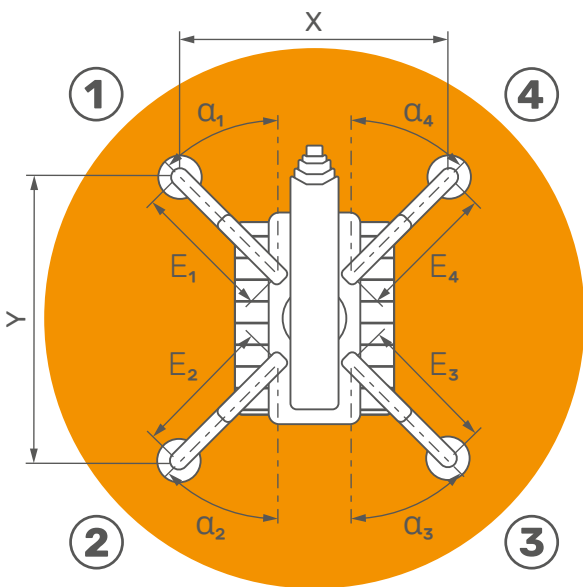
CRANE PERFORMANCE

STABILITY EXAMPLES



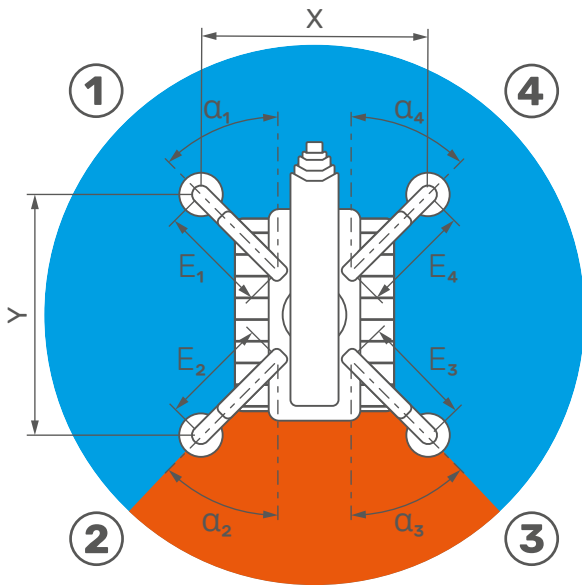
FULLY SYMMETRIC STABILITY

FOOTPRINT DIMENSIONS	
X	3,8 m
Y	3,9 m
OUTRIGGERS ANGLE	
α_1	46°
α_2	46°
α_3	46°
α_4	46°
OUTRIGGERS EXTENSION	
E ₁	2,3 m
E ₂	2,3 m
E ₃	2,3 m
E ₄	2,3 m
J7	360°



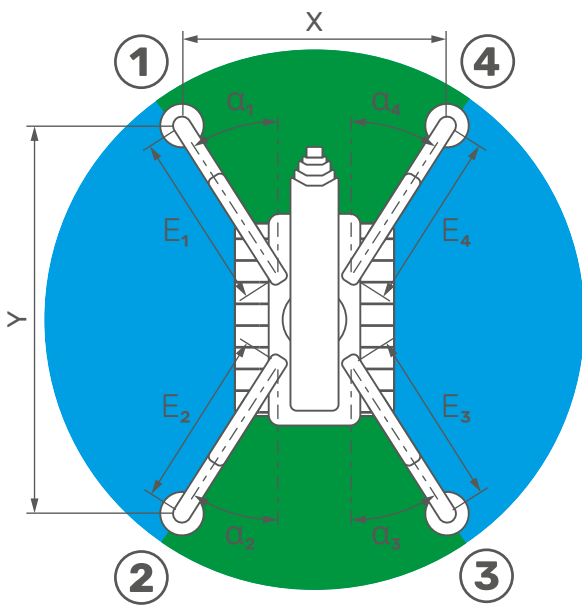
FULLY SYMMETRIC STABILITY

FOOTPRINT DIMENSIONS	
X	3,2 m
Y	3,3 m
OUTRIGGERS ANGLE	
α_1	46°
α_2	46°
α_3	46°
α_4	46°
OUTRIGGERS EXTENSION	
E ₁	1,8 m
E ₂	1,8 m
E ₃	1,8 m
E ₄	1,8 m
J6	360°



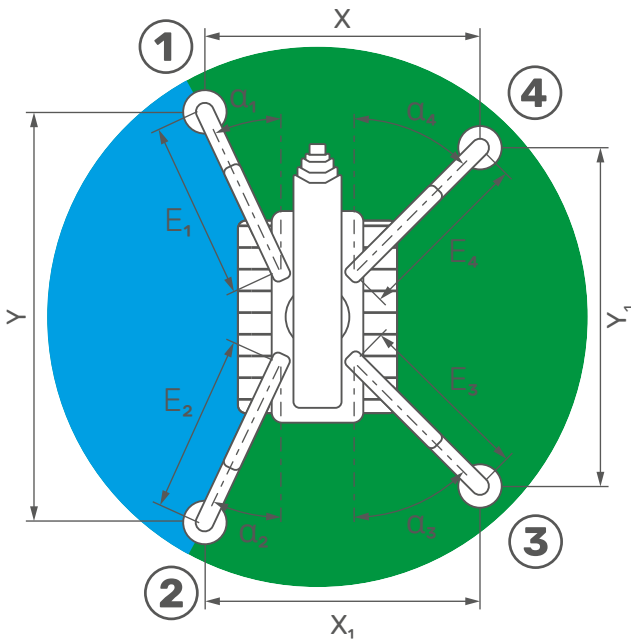
FULLY SYMMETRIC STABILITY

FOOTPRINT DIMENSIONS	X	2,3 m
OUTRIGGERS ANGLE	α_1	46°
	α_2	46°
	α_3	46°
	α_4	46°
OUTRIGGERS EXTENSION	E_1	1,2 m
	E_2	1,2 m
	E_3	1,2 m
	E_4	1,2 m
	J3	270°
	J4	90°



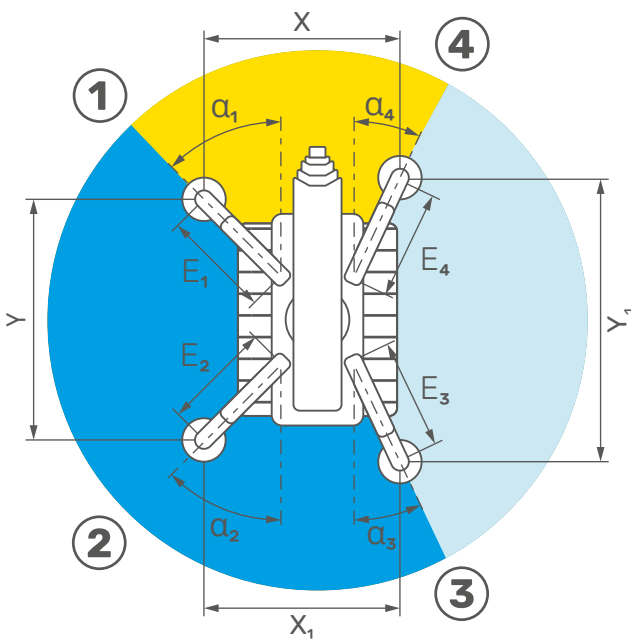
FULLY SYMMETRIC STABILITY

FOOTPRINT DIMENSIONS	X	2,5 m
OUTRIGGERS ANGLE	α_1	25°
	α_2	25°
	α_3	25°
	α_4	25°
OUTRIGGERS EXTENSION	E_1	2,3 m
	E_2	2,3 m
	E_3	2,3 m
	E_4	2,3 m
	J4	2x 126°
	J7	2x 54°



ASYMMETRIC STABILITY

FOOTPRINT DIMENSIONS	X	2,2 m
X ₁	2,2 m	
OUTRIGGERS ANGLE	Y	5,3 m
Y ₁	4,0 m	
α_1	25°	
α_2	25°	
α_3	46°	
α_4	46°	
OUTRIGGERS EXTENSION	E ₁	2,3 m
E ₂	2,3 m	
E ₃	2,3 m	
E ₄	2,3 m	
J4	126°	
J7	234°	



ASYMMETRIC STABILITY

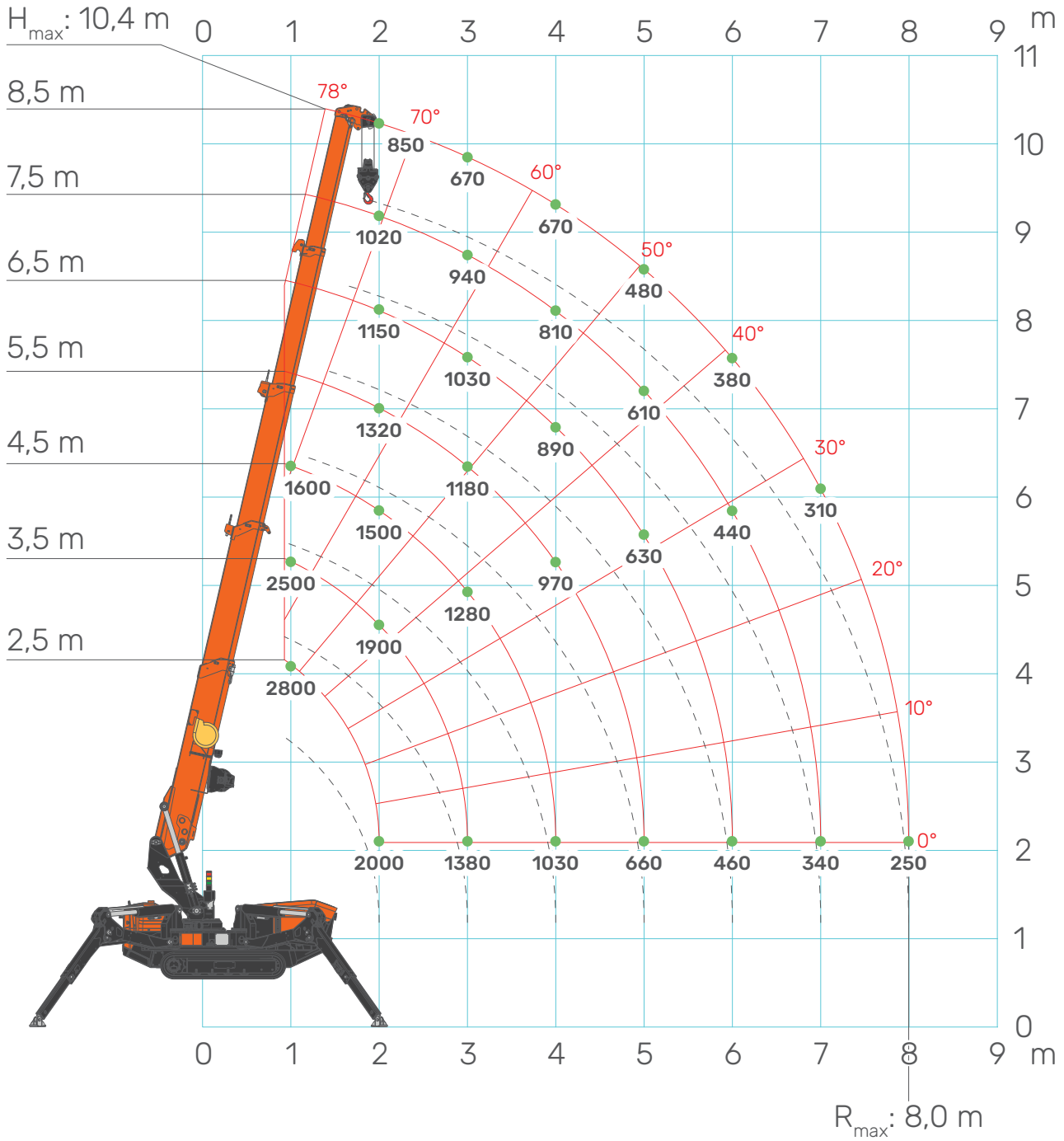
FOOTPRINT DIMENSIONS	X	1,9 m
X ₁	1,9 m	
OUTRIGGERS ANGLE	Y	2,4 m
Y ₁	2,9 m	
α_1	46°	
α_2	46°	
α_3	25°	
α_4	25°	
OUTRIGGERS EXTENSION	E ₁	1,2 m
E ₂	1,2 m	
E ₃	1,2 m	
E ₄	1,2 m	
J2	123°	
J4	168°	
J5	69°	

SPX328 CL EVO-KIT

Main boom load chart

24.03.2025 | REV3.0

MAIN BOOM



CRANE PERFORMANCE: J7

L [m]→	2,5	3,5	4,0	4,5	5,5	6,5	7,5	8,0	8,5
1	2800	2500	2000	1600					
2	2000	1900	1800	1500	1320	1150	1020	950	850
3		1380	1350	1280	1180	1030	940	910	670
3,5			1180	1160	1080	960	880	850	630
4				1030	970	890	810	790	580
5					660	630	610	590	480
6						460	440	420	380
7							340	330	310
7,5								280	270
7,9									250
[^] R[m]	[kg]	LC328__200EU__0924_C0_J7 - LC328__200EU__0924_C1_J7							

CRANE PERFORMANCE: J6

L [m]→	2,5	3,5	4,0	4,5	5,5	6,5	7,5	8,0	8,5
1	2800	2500	2000	1600					
2	2000	1900	1800	1500	1320	1150	1020	950	850
3		1360	1240	1190	1140	1030	940	910	670
3,5			950	930	890	860	830	810	630
4				730	730	700	680	670	580
5					490	490	490	480	450
6						350	350	350	350
7							260	260	260
7,5								230	230
7,9									200
[^] R[m]	[kg]	LC328__200EU__0924_C0_J6 - LC328__200EU__0924_C1_J6							

CRANE PERFORMANCE: J5

L [m]→	2,5	3,5	4,0	4,5	5,5	6,5	7,5	8,0	8,5
1	2800	2500	2000	1600					
2	2000	1900	1790	1500	1320	1150	1020	950	850
3		970	900	890	860	830	800	780	670
3,5			690	690	680	660	640	630	620
4				540	540	540	530	520	520
5					360	360	360	360	360
6						260	260	260	260
7							190	190	190
7,5								170	170
7,9									150
[^] R[m]	[kg]	LC328__200EU__0924_C0_J5 - LC328__200EU__0924_C1_J5							

CRANE PERFORMANCE: J4

L [m]→	2,5	3,5	4,0	4,5	5,5	6,5	7,5	8,0	8,5
1	2800	2500	2000	1600					
2	1880	1410	1320	1280	1210	1130	1020	950	850
3		730	670	670	670	650	620	610	600
3,5			520	520	520	510	500	490	490
4				410	410	410	410	410	400
5					270	270	270	270	270
6						190	190	190	190
7							140	140	140
7,5								120	120
7,9									100
[^] R[m]	[kg]	LC328__200EU__0924_C0_J4 - LC328__200EU__0924_C1_J4							

CRANE PERFORMANCE: J3

L [m]→	2,5	3,5	4,0	4,5	5,5	6,5	7,5	8,0	8,5
1	2800	2500	2000	1600					
2	1400	1080	1020	1000	950	900	850	830	810
3		560	520	520	520	520	500	490	480
3,5			390	390	390	390	390	390	390
4				310	310	310	310	310	310
5					200	200	200	200	200
5,9						140	140	140	140
[^] R[m]	[kg]	LC328__200EU__0924_C0_J3 - LC328__200EU__0924_C1_J3							

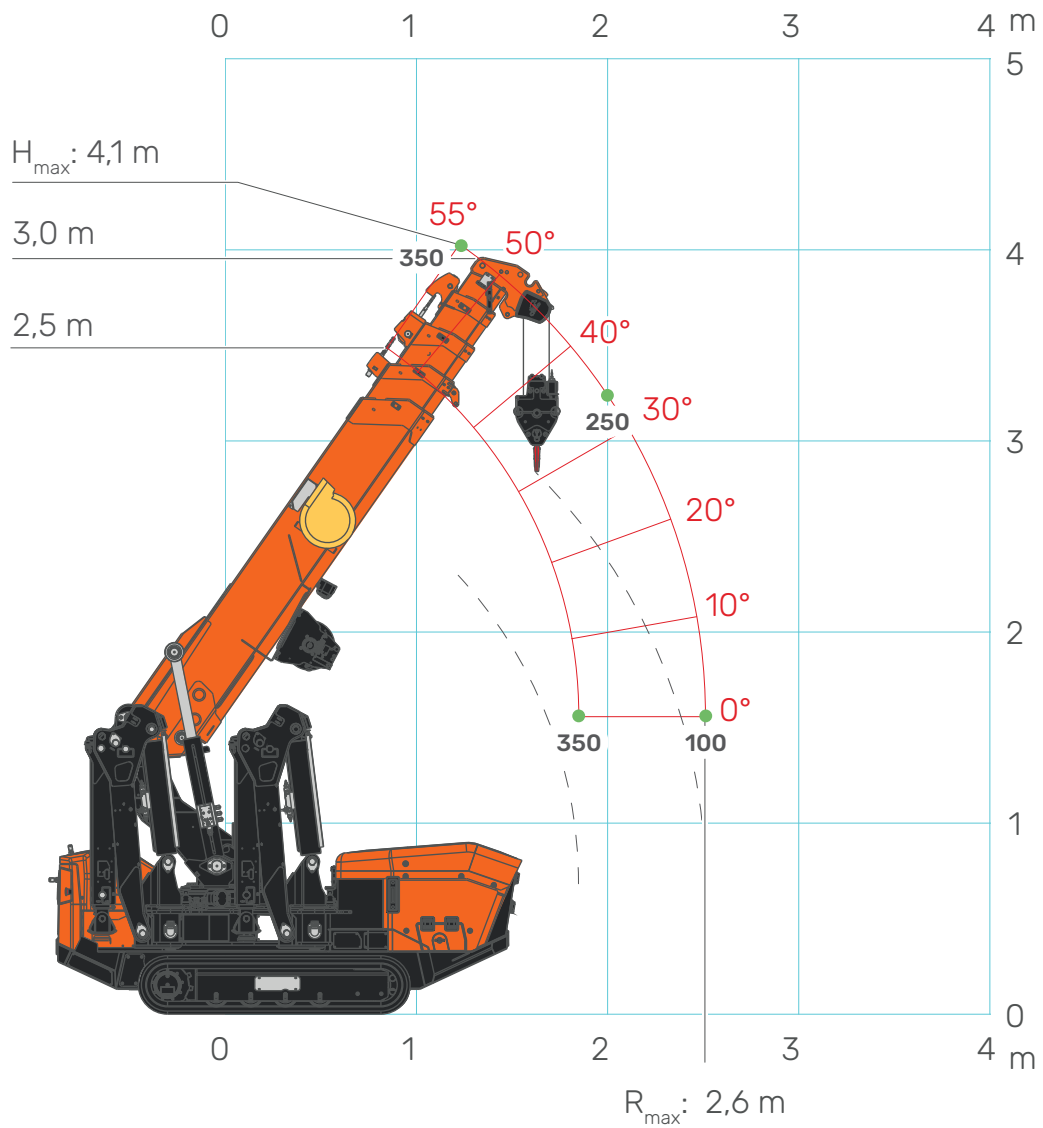
CRANE PERFORMANCE: J2

L [m]→	2,5	3,5	4,0	4,5	5,5	6,5	7,5	8,0	8,5
1	2030	1670	1510	1440					
2	730	570	540	540	530	520	490	480	470
3		290	240	240	240	240	240	240	240
3,5			180	170	170	170	170	170	170
3,9				140	140	140	140	140	140
[^] R[m]	[kg]	LC328__200EU__0924_C0_J2 - LC328__200EU__0924_C1_J2							

SPX328 CL EVO-KIT

Main boom load chart - Pick & Carry

24.03.2025 | REV3.0



CRANE PERFORMANCE: J0

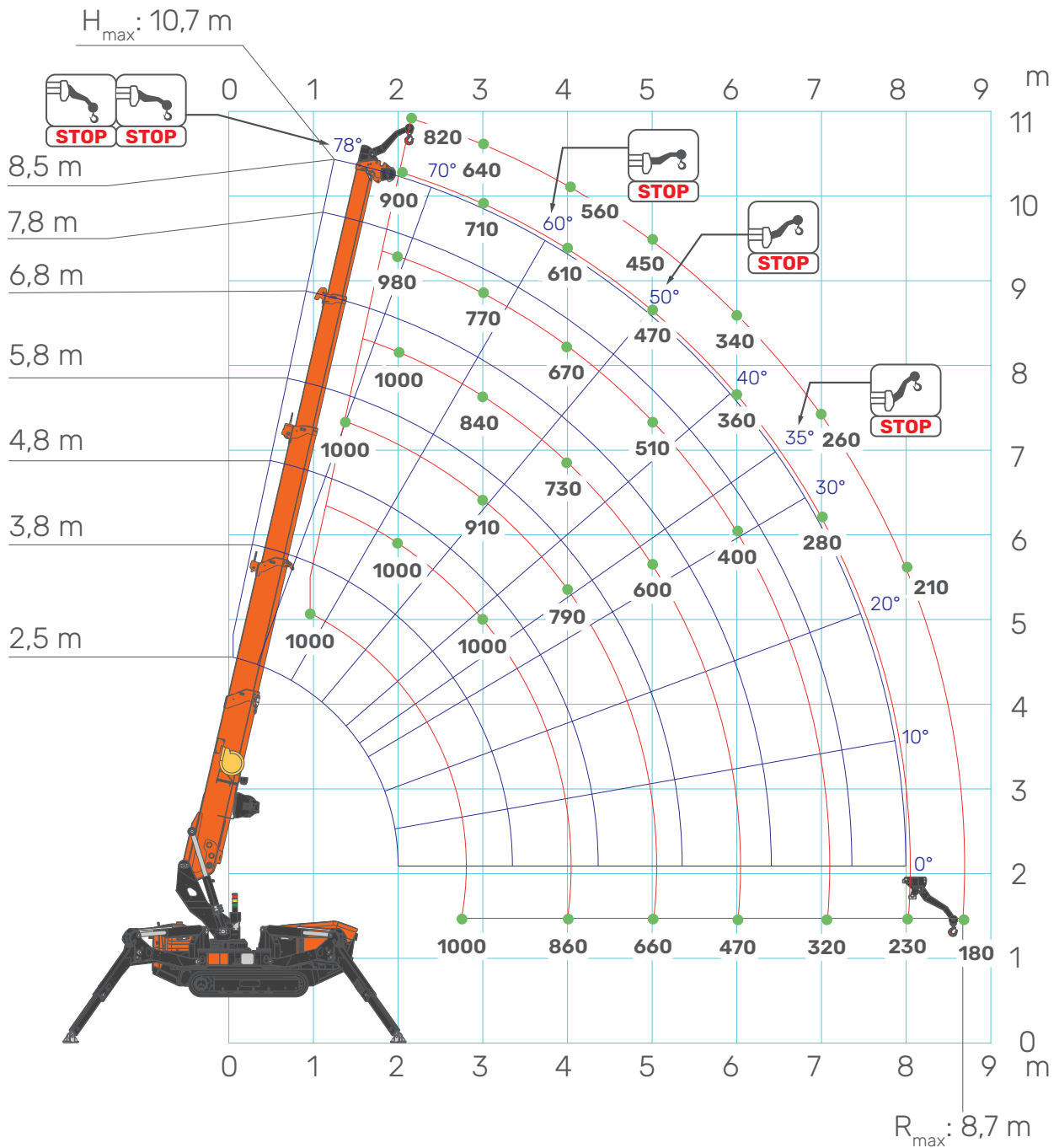
L [m]→	2,5	3,0
1	350	250
2	350	250
2,6	150	100
↑R[m]	[kg]	LC328...200EU...0924_C030 LC328...200EU...0924_C130

SPX328 CL EVO-KIT

JIB1000GX load chart

24.03.2025 | REV3.0

JIB1000GX



*The word "STOP" stands for the maximum working angle of the main boom for the displayed jib configuration.

[kg]

CRANE PERFORMANCE: J7

L [m]→	2,5	2,8	3,8	4,8	5,8	6,8	7,8	8,5
1	1000	1000	1000	1000	1000			
2	1000	1000	1000	1000	1000	980	900	830
3		1000	1000	910	840	770	710	640
4			860	790	730	670	610	560
5				660	600	510	470	450
6					470	400	360	340
7						320	280	260
8							230	210
8,7								180
↑R[m]	[kg]	LC328__200EU__0924_C8_J7						

CRANE PERFORMANCE: J6

L [m]→	2,5	2,8	3,8	4,8	5,8	6,8	7,8	8,5
1	1000	1000	1000	1000	1000			
2	1000	1000	1000	1000	1000	980	900	830
3		1000	1000	910	840	770	710	640
4			760	720	690	660	610	560
5				490	490	480	460	430
6					350	350	350	330
7						260	260	260
8							200	200
8,7								160
↑R[m]	[kg]	LC328__200EU__0924_C8_J6						

CRANE PERFORMANCE: J5

L [m]→	2,5	2,8	3,8	4,8	5,8	6,8	7,8	8,5
1	1000	1000	1000	1000	1000			
2	1000	1000	1000	1000	1000	980	900	830
3		1040	890	840	800	770	710	640
4			540	540	520	510	490	480
5				360	360	360	350	340
6					250	250	250	250
7						180	180	180
8							130	130
8,7								110
↑R[m]	[kg]	LC328__200EU__0924_C8_J5						

CRANE PERFORMANCE: J4

L [m]→	2,5	2,8	3,8	4,8	5,8	6,8	7,8	8,5
1	1000	1000	1000	1000	1000			
2	1000	1000	1000	1000	1000	980	900	830
3		790	670	630	620	590	570	550
4			410	400	390	390	380	370
5				270	260	260	260	250
6					180	180	180	180
6,9						130	130	130
↑R[m]	[kg]	LC328__200EU__0924_C8_J4						

CRANE PERFORMANCE: J3

L [m]→	2,5	2,8	3,8	4,8	5,8	6,8	7,8	8,5
1	1000	1000	1000	1000	1000			
2	1000	1000	980	910	860	810	770	740
3		620	520	490	480	470	450	440
4			310	300	300	300	290	290
5				200	200	190	190	190
5,9					130	130	130	130
↑R[m]	[kg]	LC328__200EU__0924_C8_J3						

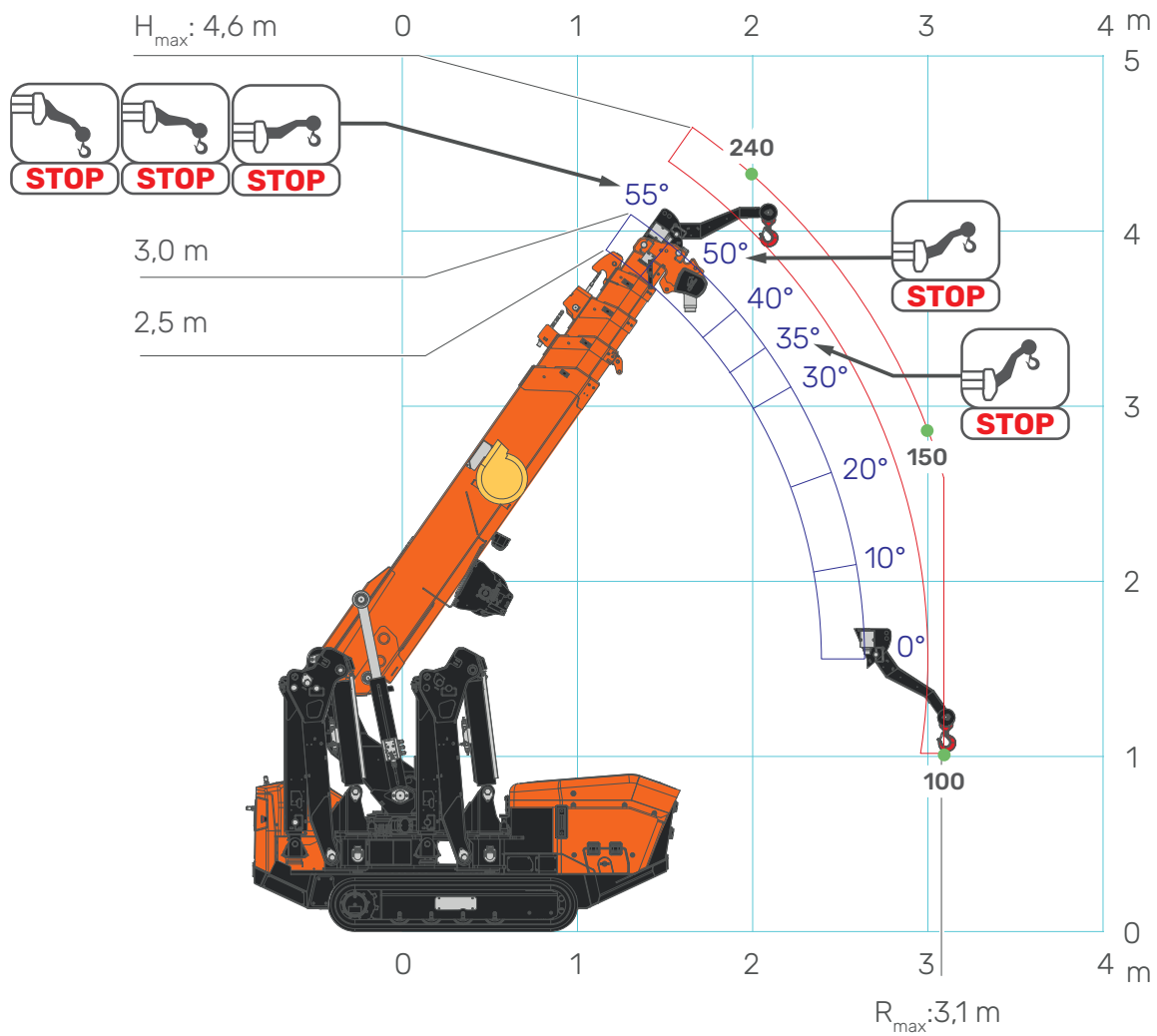
CRANE PERFORMANCE: J2

L [m]→	2,5	2,8	3,8	4,8	5,8	6,8	7,8	8,5
1	1000	1000	1000	1000	1000			
2	600	600	510	480	470	450	430	410
3		330	250	240	240	240	230	230
3,9			140	120	120	120	120	120
↑R[m]	[kg]	LC328__200EU__0924_C8_J2						

SPX328 CL EVO-KIT

JIB1000GX load chart - Pick & Carry

24.03.2025 | REV3.0



*The word "STOP" stands for the maximum working angle of the main boom for the displayed jib configuration.

[kg]

CRANE PERFORMANCE: J0

L [m]→	2,5	3,0
1	320	240
2	320	240
3	150	100
3,1	100	100
↑R[m]	[kg]	<small>LC328...200EU...0924_C8_30</small>

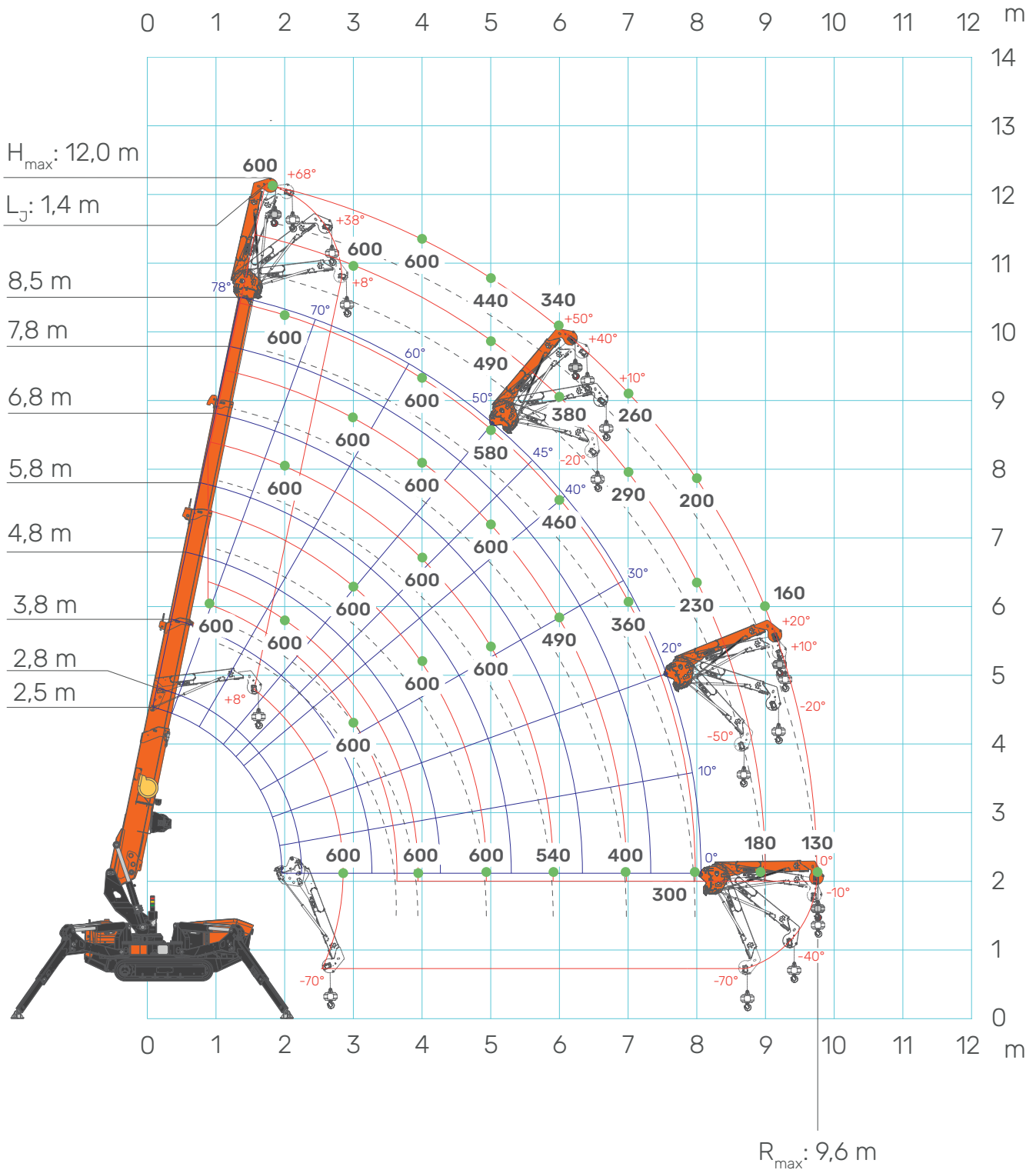
SPX328 CL EVO-KIT

JIB600.1MX load chart

24.03.2025 | REV3.0

JIB600.1MX

CLOSED CONFIGURATION



CRANE PERFORMANCE: J7

L [m]→	2,5	2,8	3,8	4,8	5,8	6,8	7,8	8,5
1	600	600	600					
4		600	600	600	600	600	600	600
5			600	600	600	580	490	440
6				540	490	460	380	340
7					400	360	290	260
8						300	230	200
9							180	160
9,6								130
↑R[m]	[kg]	LC328__200EU__0924_C32_J7 - LC328__200EU__0924_C33_J7						

CRANE PERFORMANCE: J6

L [m]→	2,5	2,8	3,8	4,8	5,8	6,8	7,8	8,5
1	600	600	600					
3	600	600	600	600	600	600	600	600
4		600	600	600	600	600	580	550
5			520	470	470	470	430	410
6				360	320	320	320	310
7					260	230	230	230
8						190	160	160
9							140	130
9,6								110
↑R[m]	[kg]	LC328__200EU__0924_C32_J6 - LC328__200EU__0924_C33_J6						

CRANE PERFORMANCE: J5

L [m]→	2,5	2,8	3,8	4,8	5,8	6,8	7,8	8,5
1	600	600	600					
2	600	600	600	600	600	600	600	600
3	600	600	600	600	600	600	600	600
4		600	510	510	490	470	450	440
5			360	310	310	310	310	310
6				240	200	200	200	200
6,9					160	130	130	130
↑R[m]	[kg]	LC328__200EU__0924_C32_J5 - LC328__200EU__0924_C33_J5						

CRANE PERFORMANCE: J4

L [m]→	2,5	2,8	3,8	4,8	5,8	6,8	7,8	8,5
1	600	600	600					
2	600	600	600	600	600	600	600	600
3	600	600	600	610	580	550	530	510
4		480	370	370	370	350	340	330
5			270	220	220	220	220	220
5,9				170	130	130	130	130
↑R[m]	[kg]	LC328__200EU__0924_C32_J4 - LC328__200EU__0924_C33_J4						

CRANE PERFORMANCE: J3

L [m]→	2,5	2,8	3,8	4,8	5,8	6,8	7,8	8,5
1	600	600	600					
2	600	600	600	600	600	600	600	600
3	580	580	500	480	460	430	410	400
4		380	270	270	270	270	260	250
4,9			200	150	150	150	150	150
↑R[m]	[kg]	LC328__200EU__0924_C32_J3 - LC328__200EU__0924_C33_J3						

CRANE PERFORMANCE: J2

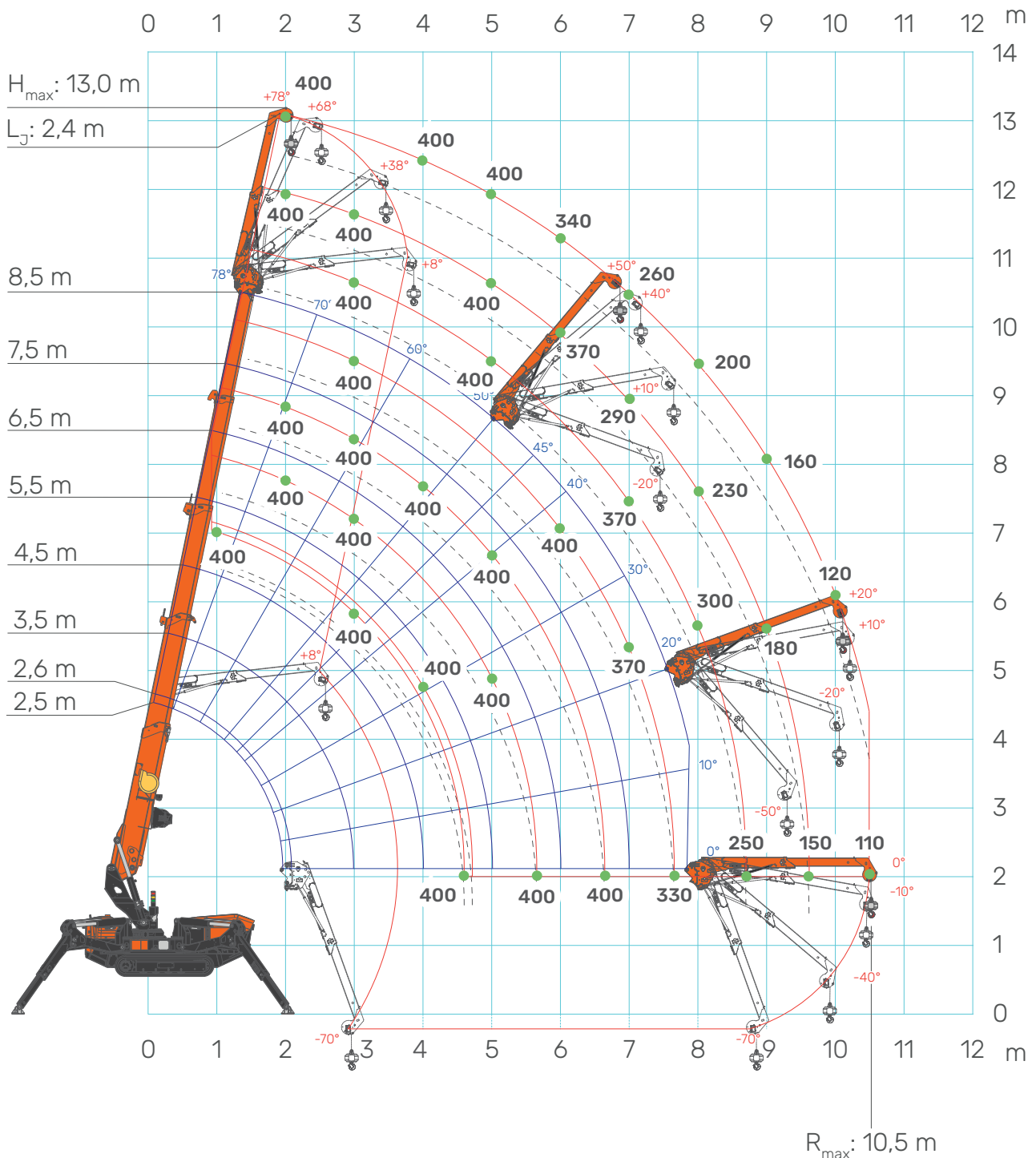
L [m]→	2,5	2,8	3,8	4,8	5,8	6,8	7,8	8,5
1	600	600	600					
2	590	590	500	470	440	420	390	370
3	290	290	240	230	220	210	210	200
3,9	200	200	90	90	90	90	90	90
↑R[m]	[kg]	LC328__200EU__0924_C32_J2 - LC328__200EU__0924_C33_J2						

SPX328 CL EVO-KIT

JIB600.1MX load chart

24.03.2025 | REV3.0

EXTENDED CONFIGURATION



CRANE PERFORMANCE: J7

L [m]→	2,5	2,6	3,5	4,5	5,5	6,5	7,5	8,5
1	400	400	400	400				
5		400	400	400	400	400	400	400
6			400	400	400	400	370	340
7				400	370	370	290	260
8					330	300	230	200
9						250	180	160
10							150	120
10,5								110
↑R[m]	[kg]	LC328__200EU__0924_C40_J7 - LC328__200EU__0924_C41_J7						

CRANE PERFORMANCE: J6

L [m]→	2,5	2,6	3,5	4,5	5,5	6,5	7,5	8,5
1	400	400	400	400				
5		400	400	400	400	400	400	400
6			400	340	330	310	310	310
7				250	230	230	230	230
8					210	180	170	170
9						150	130	120
10							120	110
10,5								90
↑R[m]	[kg]	LC328__200EU__0924_C40_J6 - LC328__200EU__0924_C41_J6						

CRANE PERFORMANCE: J5

L [m]→	2,5	2,6	3,5	4,5	5,5	6,5	7,5	8,5
1	400	400	400	400				
4	400	400	400	400	400	400	400	400
5		400	390	320	320	320	320	320
6			280	270	210	210	210	210
7				190	190	140	140	140
7,9					130	130	90	90
↑R[m]	[kg]	LC328__200EU__0924_C40_J5 - LC328__200EU__0924_C41_J5						

CRANE PERFORMANCE: J4

L [m]→	2,5	2,6	3,5	4,5	5,5	6,5	7,5	8,5
1	400	400	400	400				
3	400	400	400	400	400	400	400	400
4	400	400	410	400	380	360	350	340
5		350	290	230	230	230	230	230
6			200	190	140	140	140	140
6,9				130	120	90	90	90
↑R[m]	[kg]	LC328__200EU__0924_C40_J4 - LC328__200EU__0924_C41_J4						

CRANE PERFORMANCE: J3

L [m]→	2,5	2,6	3,5	4,5	5,5	6,5	7,5	8,5
1	400	400	400	400				
3	400	400	400	400	400	400	400	400
4	390	390	310	310	300	280	270	260
5		280	210	160	160	160	160	160
5,9			150	130	90	90	90	90
↑R[m]	[kg]	LC328__200EU__0924_C40_J3 - LC328__200EU__0924_C41_J3						

CRANE PERFORMANCE: J2

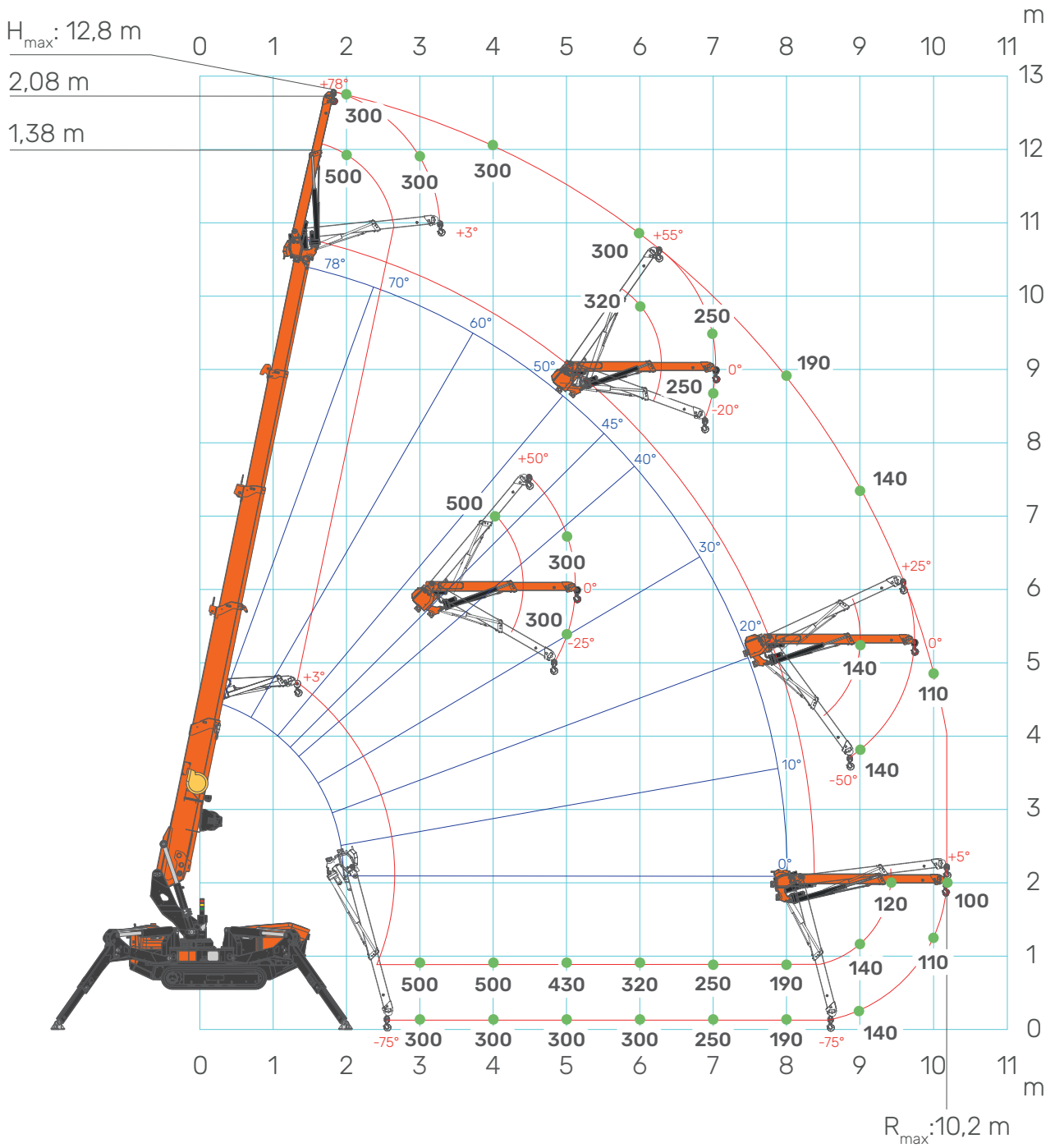
L [m]→	2,5	2,6	3,5	4,5	5,5	6,5	7,5	8,5
1	400	400	400	400				
2	400	400	400	400	400	400	390	370
3	330	330	270	250	240	230	220	210
3,9		200	130	130	130	120	120	110
↑R[m]	[kg]	LC328__200EU__0924_C40_J2 - LC328__200EU__0924_C41_J2						

SPX328 CL EVO-KIT

JIB500.1EX load chart

24.03.2025 | REV3.0

JIB500.1EX



CRANE PERFORMANCE: J7

L _j [m]→	1,38	1,43	2,08
1	500	500	300
2	500	500	300
3	500	500	300
4	500	500	300
5	430	430	300
6	320	320	300
7	250	250	250
8	190	190	190
9	140	140	140
9,7	120	120	120
10			110
10,2			100
↑R[m]	[kg]	LC328...200EU...0924_C49_J7	

CRANE PERFORMANCE: J6

L _j [m]→	1,38	1,43	2,08
1	500	500	300
2	500	500	300
3	500	500	300
4	500	500	300
5	410	410	300
6	300	300	300
7	210	210	210
8	150	150	150
9	120	120	120
9,7	80	80	100
10			100
↑R[m]	[kg]	LC328...200EU...0924_C49_J6	

CRANE PERFORMANCE: J5

L _j [m]→	1,38	1,43	2,08
1	500	500	300
2	500	500	300
3	500	500	300
4	410	410	300
5	280	280	280
6	180	180	180
6,8	110	110	110
↑R[m]	[kg]	LC328...200EU...0924_C49_J5	

CRANE PERFORMANCE: J4

L _j [m]→	1,38	1,43	2,08
1	500	500	300
2	500	500	300
3	470	470	300
4	300	300	300
5	190	190	190
5,8	110	110	110
↑R[m]	[kg]	LC328...200EU...0924_C49_J4	

CRANE PERFORMANCE: J3

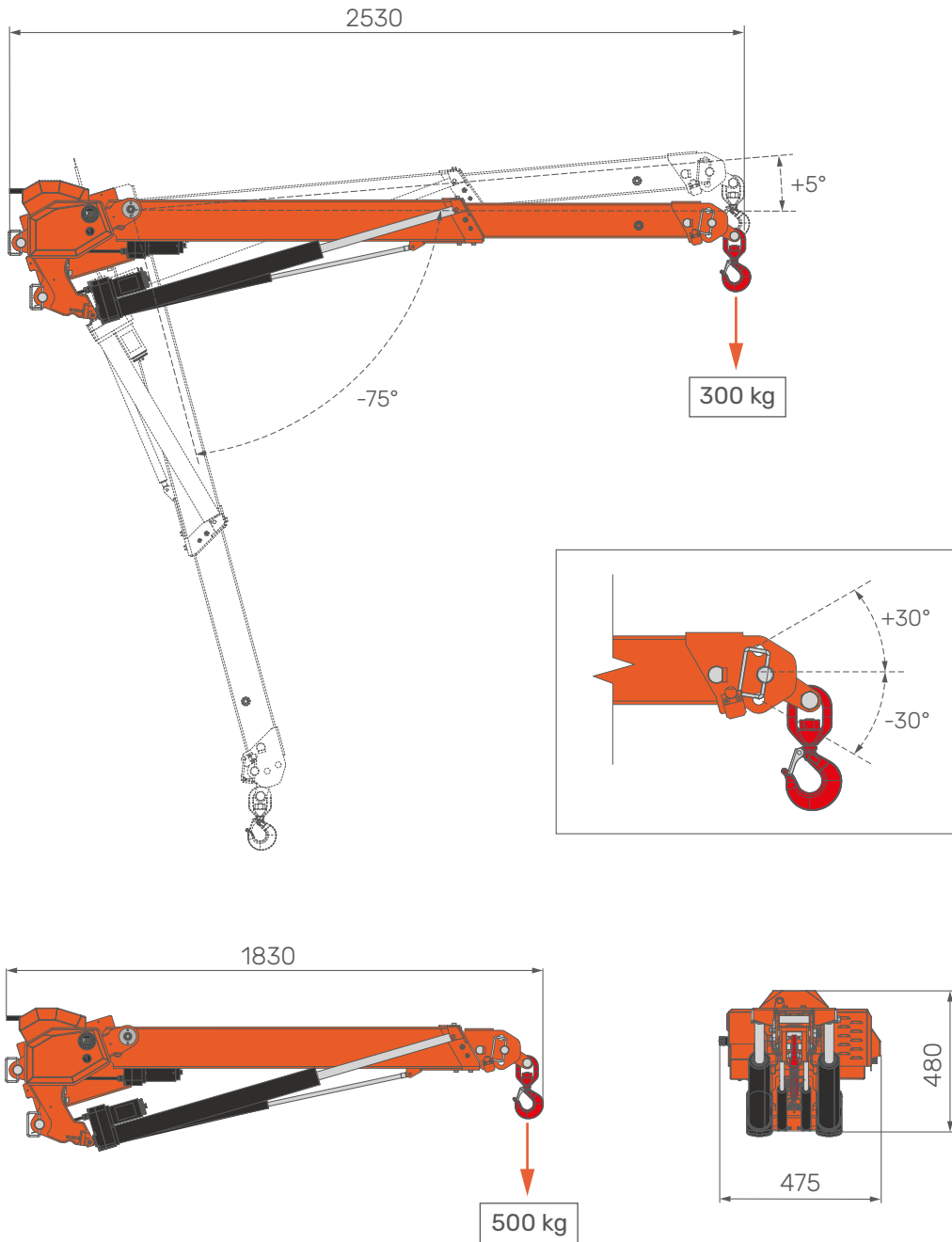
L_j [m] →	1,38	1,43	2,08
1	500	500	300
2	500	500	300
3	370	370	300
4	220	220	220
4,8	120	120	120
$\uparrow R$ [m]	[kg]	LC328...200EU...0924_C49_J3	

CRANE PERFORMANCE: J2

L_j [m] →	1,38	1,43	2,08
1	500	500	300
2	330	330	300
2,8	150	150	150
$\uparrow R$ [m]	[kg]	LC328...200EU...0924_C49_J2	

ACCESSORIES

JIB500.1EX

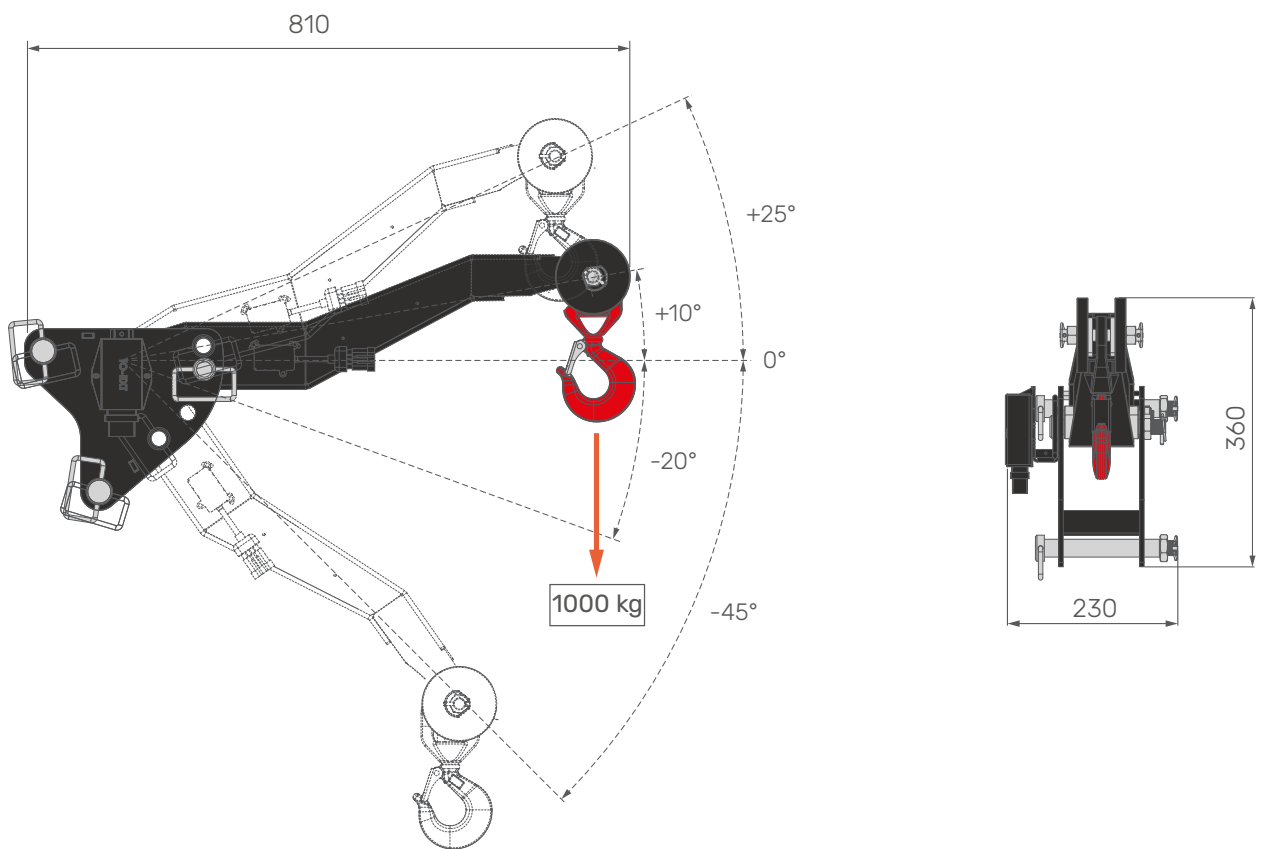


WEIGHT



JIB	JIB500.1EX	kg	120
-----	------------	----	-----

JIB1000GX



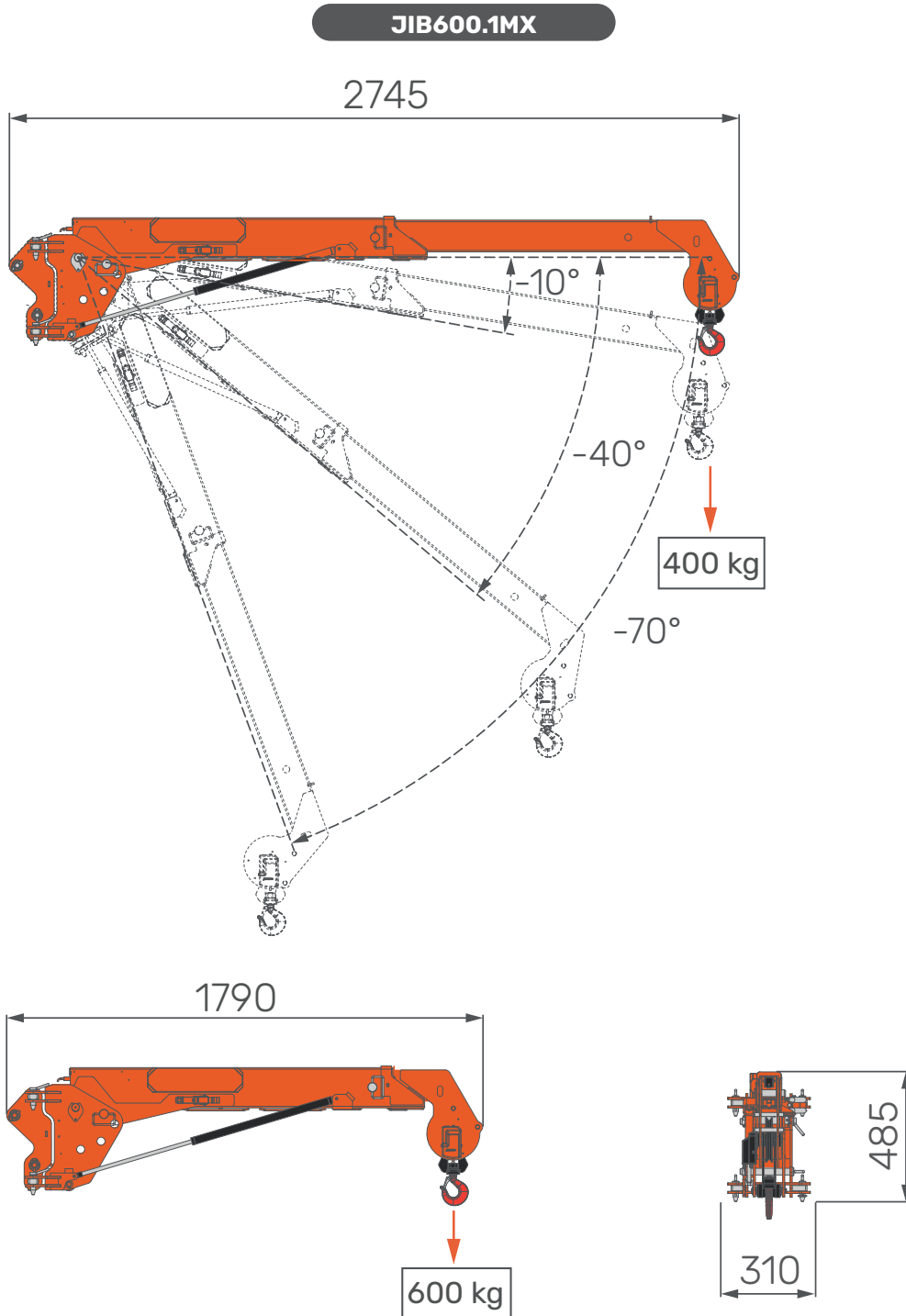
WEIGHT		JIB	JIB1000GX	kg	18

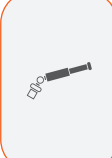
[mm]

SPX328 CL

























JIB600.1MX features

24.03.2025 | REV3.0



WEIGHT		JIB	JIB600.1MX	kg	85

SYMBOLS

	Weight		Outriggers Mats		Main Boom Lifting		Hydraulic System
	Crane		Electric Motorization		Boom Length		Winter Kit
	Travel Speed		Powerpack		Jib		Working Temperature
	Gradeability		Maximum Capacity		Turret Slewing		Hydraulic Activation
	Track Load		Maximum Outriggers Load		Winch		Hook
	External Battery Charger		Max Gradeability 6° / 10%		55° Maximum Working Angle		
	Column Slewing by -4°/+4° Over 0° and 180° Positions						

LOAD CHARTS REMARKS

- Load tables have been calculated following the EN 13000:2014 standard.
- Load tables have been calculated considering a wind load of 13,8 m/s, a sail area of 1m²/t and a drag coefficient of 1,2.
- Load capacities are given in kg.
- Hookblocks and hooks weight is part of the load, hence it shall be deducted from the capacity values.
- The working radius is measured form the turret slewing center.
- The supplied Technical Data is part of the Use & Maintenance Manual.
- Features and specifications may change without prior advice.
- All indicated data are for informational purposes only and are not binding as the crane performs differently depending on its use.



Jekko s.r.l.

Via Campardone, 1 - 31014 Colle Umberto (TV) - Italy
info@jekko.it - www.jekko-cranes.com

SERIAL NUMBER:  24.03.2025 | REV3.0