

SPX1280

LI-ION BATTERY



Lifting capacity

8000 kg



Max tip height

26,7 m



Dimensions (l x w x h)

L x W x H

5900 x 1450 x 2060 mm



Powered by

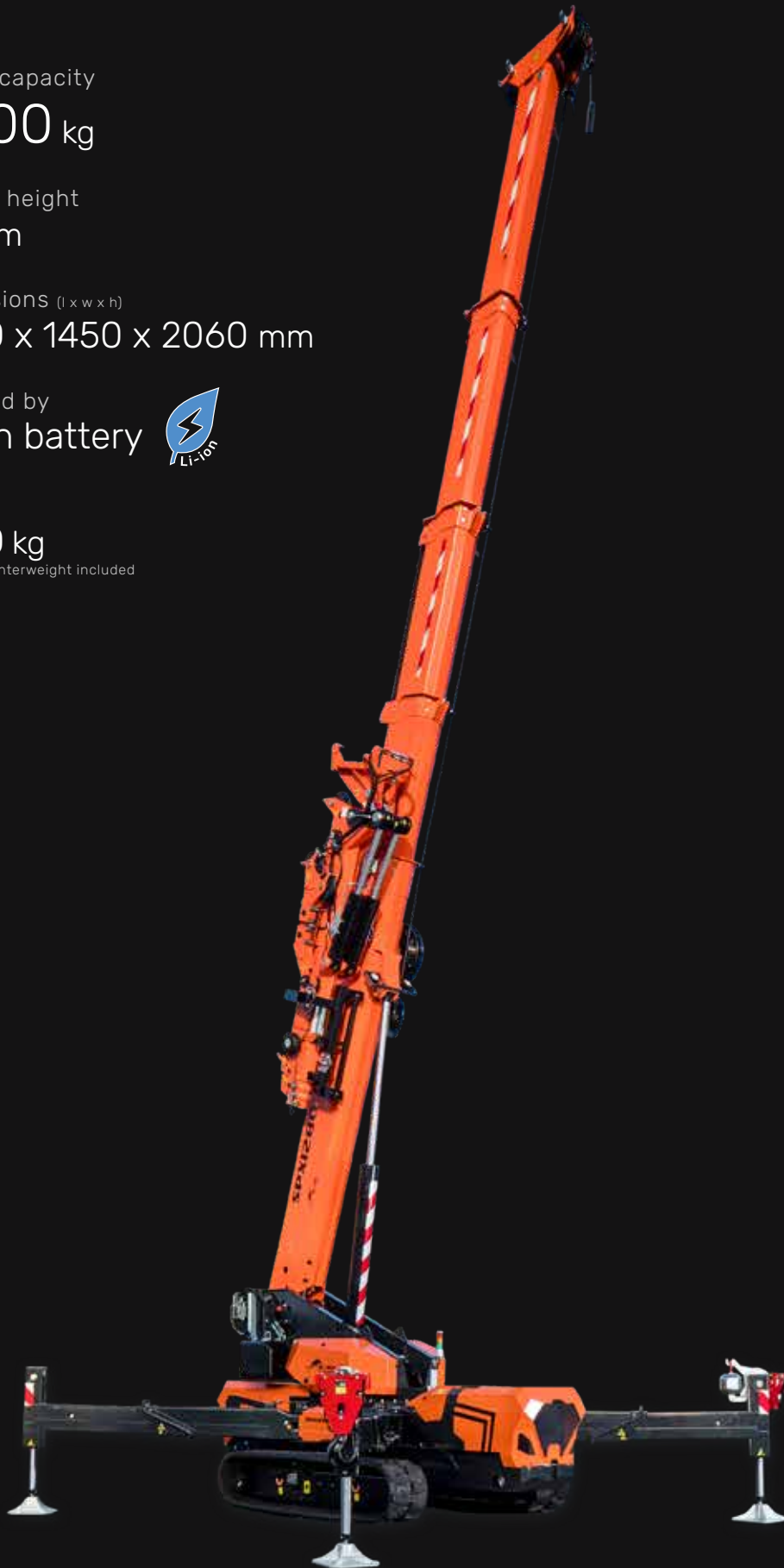
Li-ion battery



Weight

9400 kg

1500 kg counterweight included



EN [m - kg]



FEATURES



STABILITY & PERFORMANCE

- Optimal tip height/footprint ratio
- 26,7 m max tip height
- Only 4,6 x 4,6 m max footprint
- Removable counterweight: minimizes ground pressure

LI-ION BATTERY POWERED

- Indoor operation, emission free
- Maintenance free
- Runtime over 1 workday
- On board single & three phase battery charger
- Adjustable charging current
- Work while charging



ENDLESS CRANE CONFIGURATIONS

- **Winch:** 125 m rope
- 1500 kg capacity single fall / 8000 kg 6 falls
- Hook block stowing
- **Hydraulic jib** - 1500 kg SWL
- Hook or winch
- +10/-60° angle, up to 8,3 m length
- **Tools:** Plug&Play connection



ACCURATE LOAD HANDLING

- Dynamic load sway control
- Automatic speed adjustment to ensure smooth and precise maneuvers
- Automatic movement limitation to maximise safety
- Components engineered to maximise stiffness and load stability



SAFETY SYSTEMS

- Full LMI system
- Anti crash system
- Feedback on display



J-LINK POWERED BY TRACKUNIT*

- Remote fleet monitoring and diagnostics
- Built-in or retrofit on existing units



*Optional



2 TON PICK & CARRY

- Up to 2000 kg lifting capacity
- 360° turret rotation
- Extendable crawler for improved driving

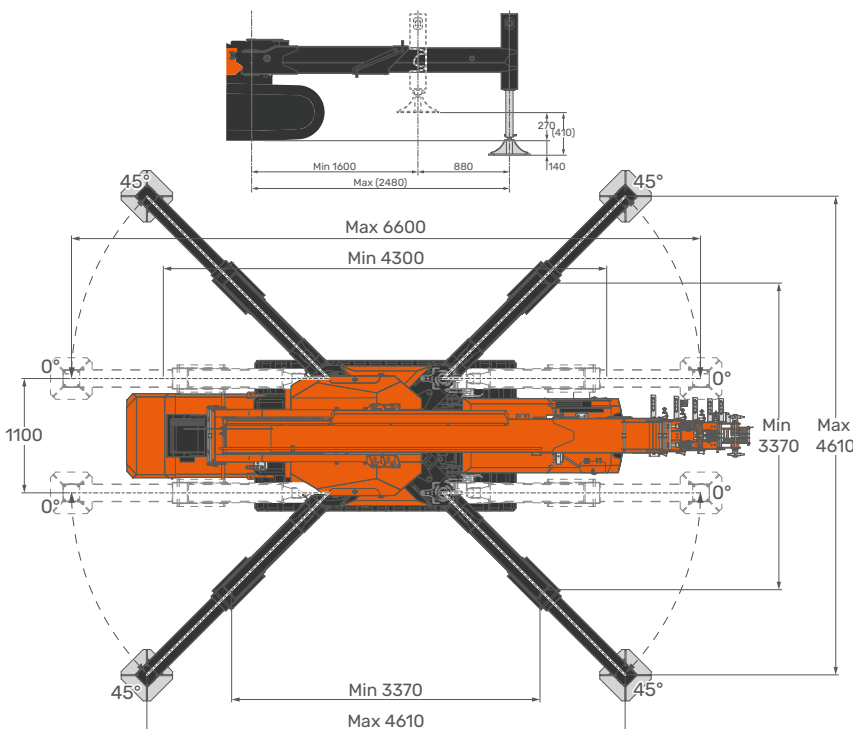
EASY TRANSPORT

- Precise and easy to drive



DIMENSIONS (mm)

STABILITY AREA (mm)



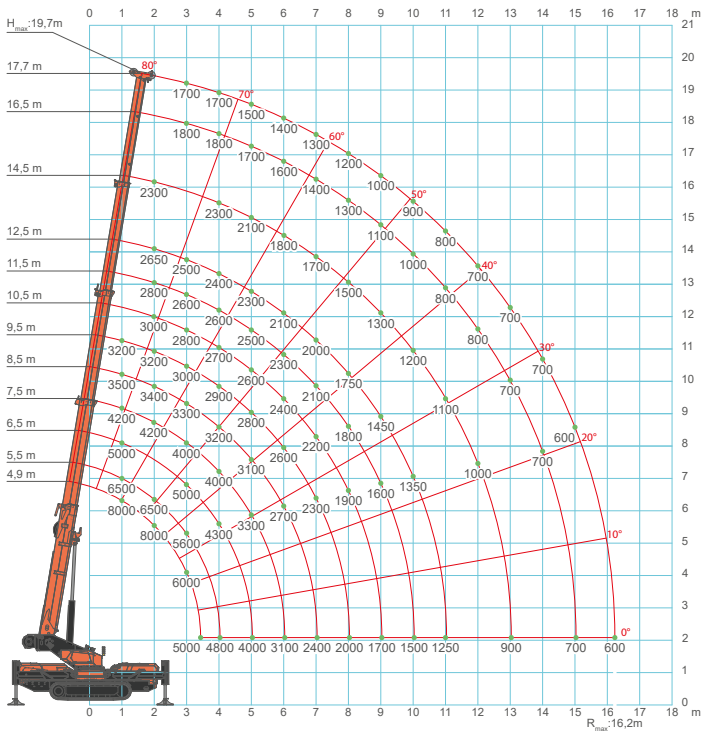
COMPACT FOOTPRINT

- Stepless outriggers rotation 0°/45°
- Stepless telescopic outriggers extension
- Self-levelling

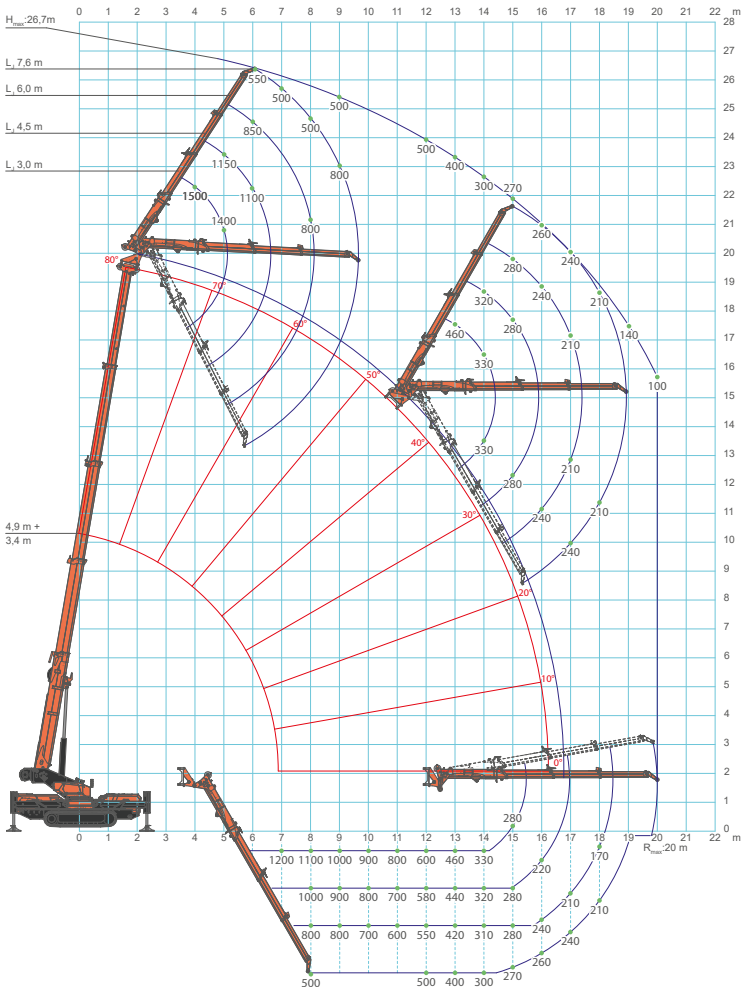


LOAD CHARTS

Main Boom



Hydraulic Jib



TOOLS AVAILABLE

HYDRAULIC JIB 1500 kg SWL



TWO-SECTION LUFFING JIB 1500 kg SWL



SEARCHER HOOK 3500 kg SWL



BEAM/PIPE MANIPULATOR 500 kg SWL - JIB500GR



GLASS MANIPULATOR 800 kg SWL - JVM800R



SPX1280
LI-ION BATTERY

Jekko s.r.l. • info@jekko.it • www.jekko-cranes.com

Specifications are subject to change without notice.

All data provided is for reference purposes only and is not legally binding.