



Technical Data

Specification & Capacities

JF990



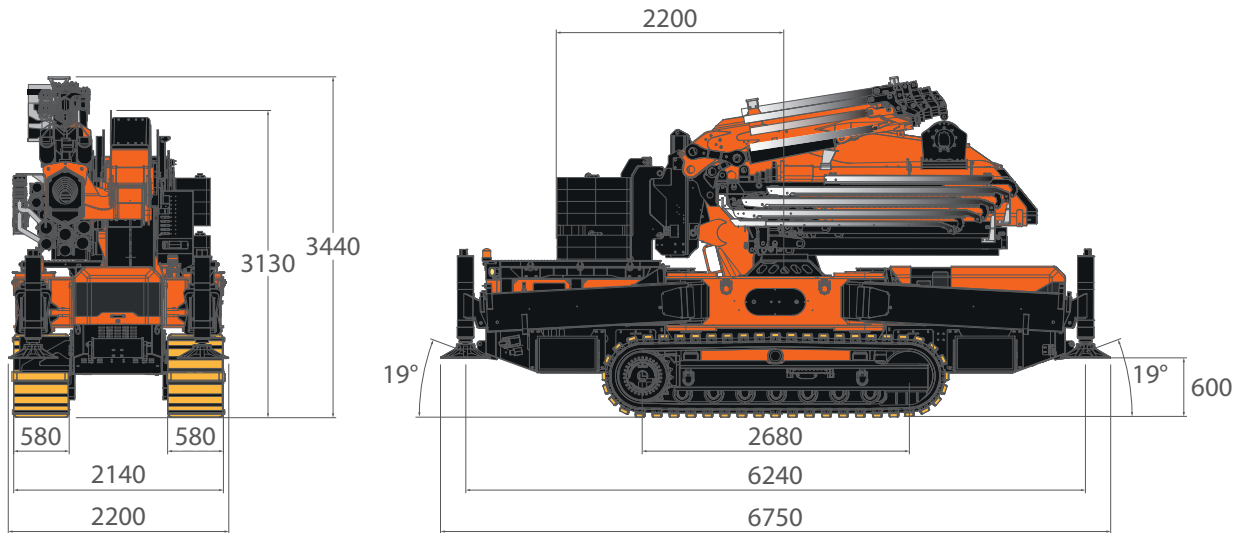
EN 12999:2020

11.02.2025 | Rev1.0

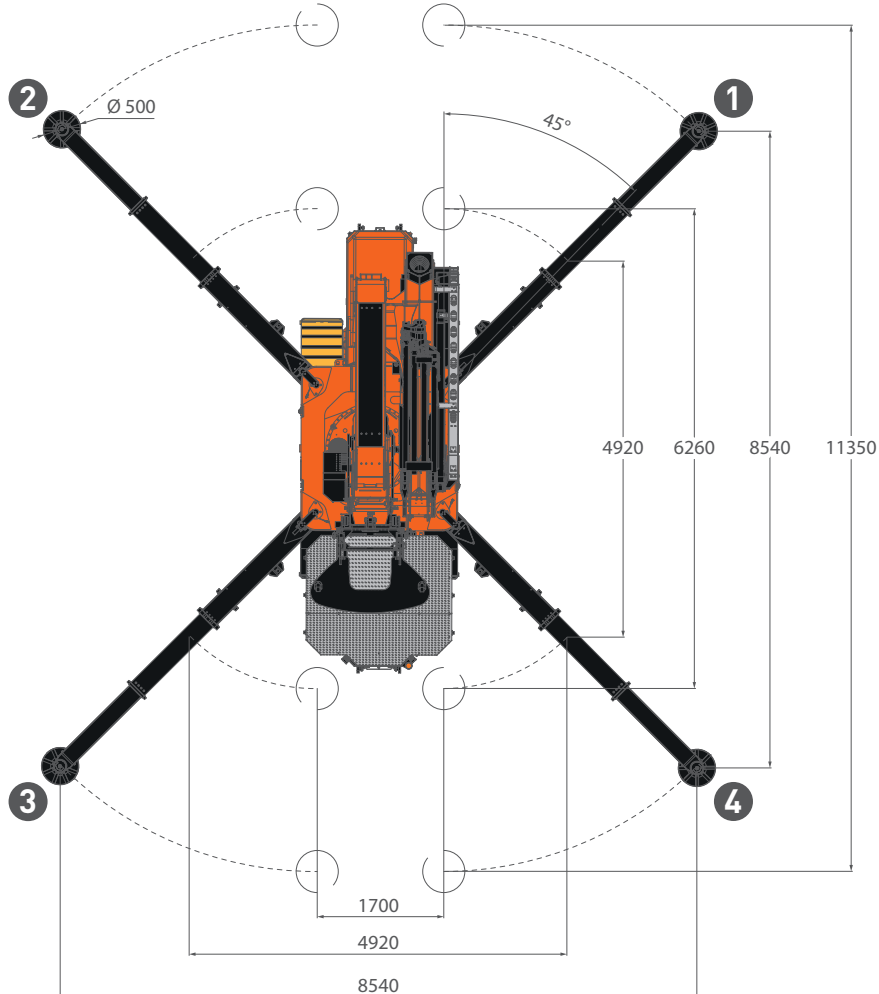
[m] [kg]

OVERALL DIMENSIONS

(with jib and low marking pads)



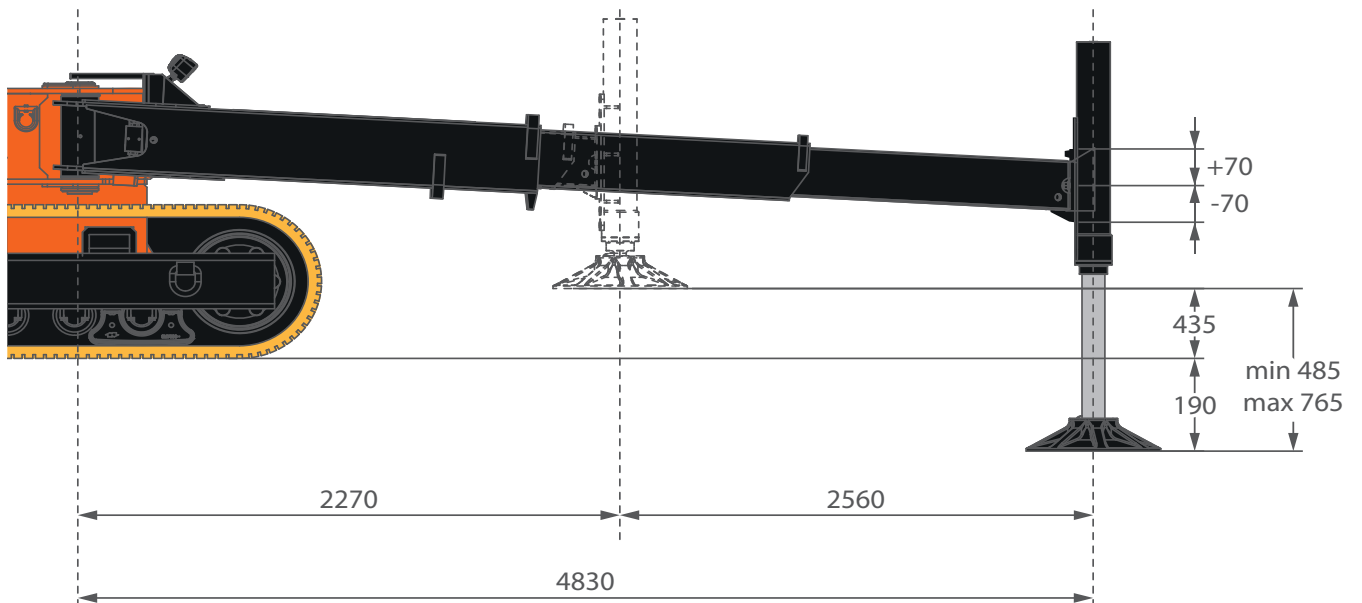
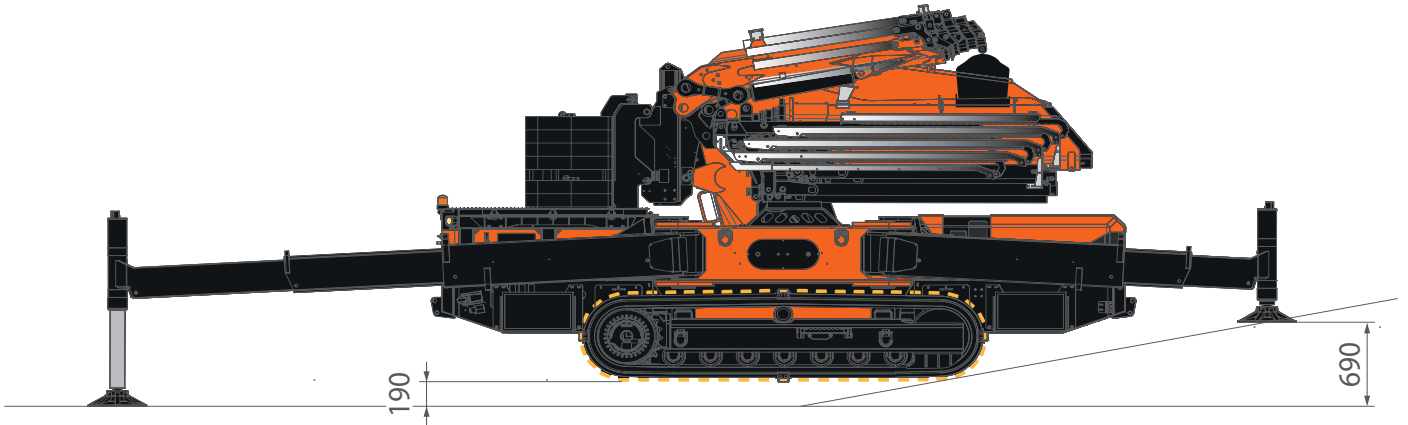
STABILITY AREA



Min stability angle: 0°
 Max stability angle: 45°

[mm]

STABILIZATION ADJUSTMENT



[mm]

OVERALL INFORMATIONS


		DESCRIPTION	U.M	VALUE	
CRANE INFO	 OVERALL DIMENSIONS	Height	mm	3.130	
		Length		6.750	
		Width		2.200	
	 BOOM	Length	m	4,6 - 20,0	
		Speed	s	55 ^[1] [4,6 - 20,0 m]	
	 SLEWING	Angle	°	360°	
		Speed	rpm	1	
	 LIFTING	Working Angle	°	0°/80°	
		Speed	s	Primary: 36 Secondary: 37	
		Max Capacity	kg	21.000	
		Max Outriggers Load	kg	16.350 ^[2]	
		Track load	kg/cm ²	0,95	
		Travel Speed	Slow	km/h	-
			Fast		2,2
	Gradeability	°	19° [35%] ^[3]		
	Working Temperature	°C	-10°/+40°		

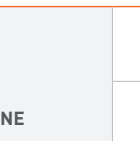
^[1]: Timing without load, fully stabilized and without XP

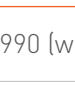
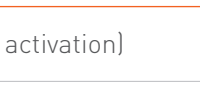




^[2]: Static lifting

^[3]: Engine work limit

OVERALL INFORMATIONS

WEIGHT		CRANE	JF990 (with activation)		kg	22.700 ^{[1][2]}
			Counterweight	CW-1	kg	3.000
				CW-2		2.000


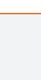
HOOKBLOCKS		HOOK BLOCK	Single Fall		kg	73
			Double Fall			71
			Triple Fall			74
			Jib Single Fall			84


ACCESSORIES		JIB	JIB5400.6HA	With activation	kg	1.530
				Without activation		1400
		MANUAL EXTENSIONS	ME1-JF990.8		kg	74
			ME2-JF990.8			55
			MEH-JF990.8			155
			ME1-JIB5400.6HA			55
			ME2-JIB5400.6HA			36
			ME3-JIB5400.6HA			25
			MEH-JIB5400.6HA			23
		LOW MARKING PADS	WTP-JFX (x90)		kg	685
		OUTRIGGERS MATS	OM500 (x4)		kg	92
		POWERPACK	3-Phase Power pack		kg	80
		PLE	MWP-2PG.JIB5400.6HA		kg	159
MWP-2PGR.JIB5400.6HA			207			

^[1]: Dry weight

^[2]: Estimated fluids weight = 150 kg

OVERALL INFORMATIONS

ENGINE		DIESEL ENGINE	Power		
			kW	55	
			HP	74	
	Tank capacity		L	61	
		ELECTRIC	Voltage		
			V	400	
		Power		kW	13.5

HYDRAULIC SYSTEM		Maximum Working Pressure		bar	325	
		Tank Capacity		L	270	
		OIL	Type		Mineral	ISO 6743-4:HV
			Viscosity Grade		VG	46
		DIESEL MAIN PUMP	Type		Variable Flow Pump LS	
			Displacement		cm ³ /rev	80
			Max Oil Flow		L/min	160
		ELECTRIC MAIN PUMP	Type		Variable Flow Pump LS	
			Displacement		cm ³ /rev	45
			Max Oil Flow		L/min	60

WINCH PERFORMANCE

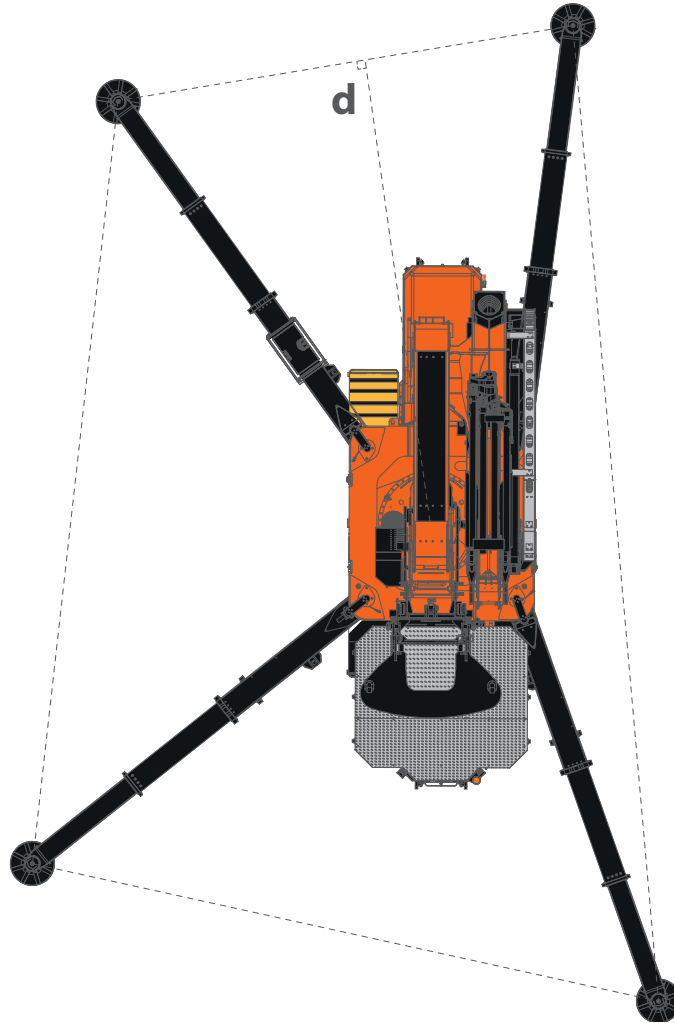
W3000-JFM-JFX

WINCH	Layer		Max pull line	Standard rope speed
			daN	m/min
	1		3.000 ^[1]	28
	3		-*	36
ROPE	Wire rope	Max load	Ø	Total length
		daN	mm	m
	19x7 right lang lay Non rotating	18.600	14	60

HOOKBLOCK	Block type	Load	N° of	
		kg	Sheaves	Lines
	Single fall block	3.000	-	1
Double fall block	6.000	1	2	
Triple fall block	9.000	1	3	

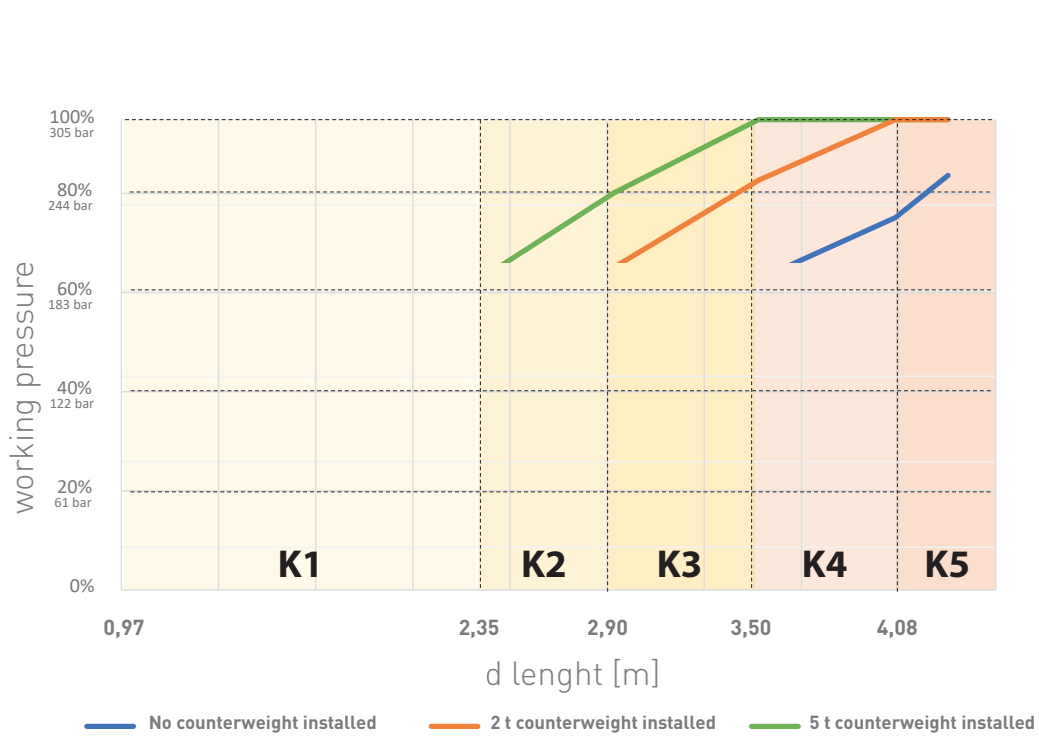
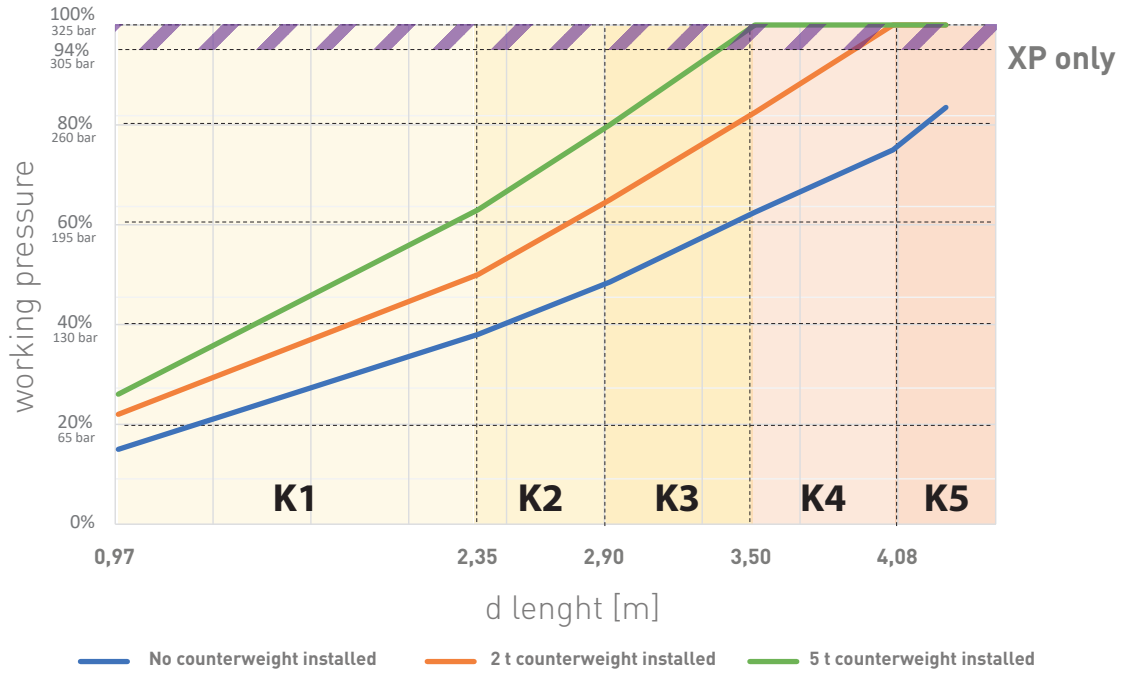
^[1]: LMI limited at 3.000 kg

CRANE PERFORMANCE

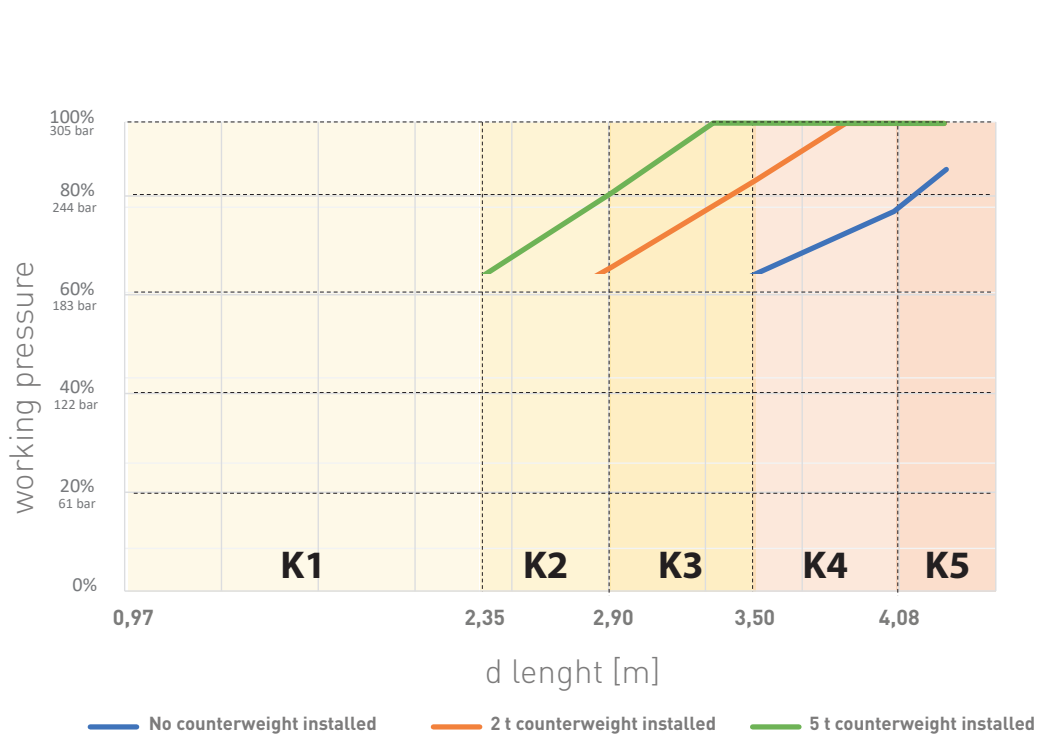
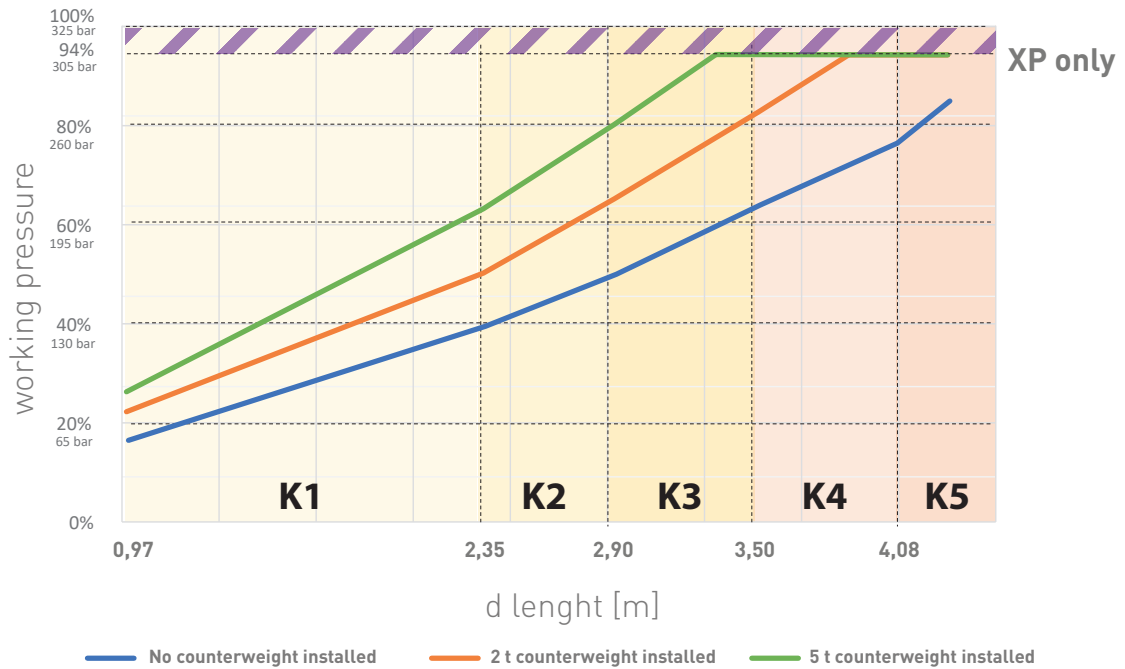


K	d min	d max
K1	0,97 m	2,35 m
K2	2,35 m	2,90 m
K3	2,90 m	3,50 m
K4	3,50 m	4,08 m
K5	4,08 m	-

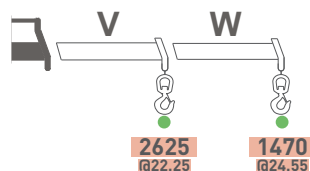
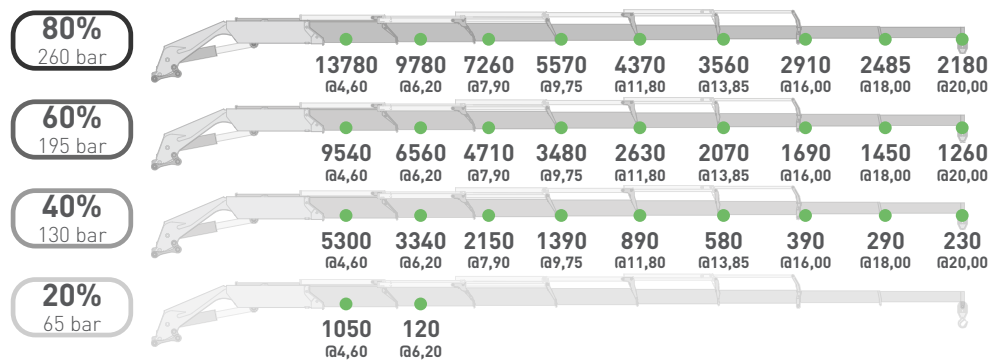
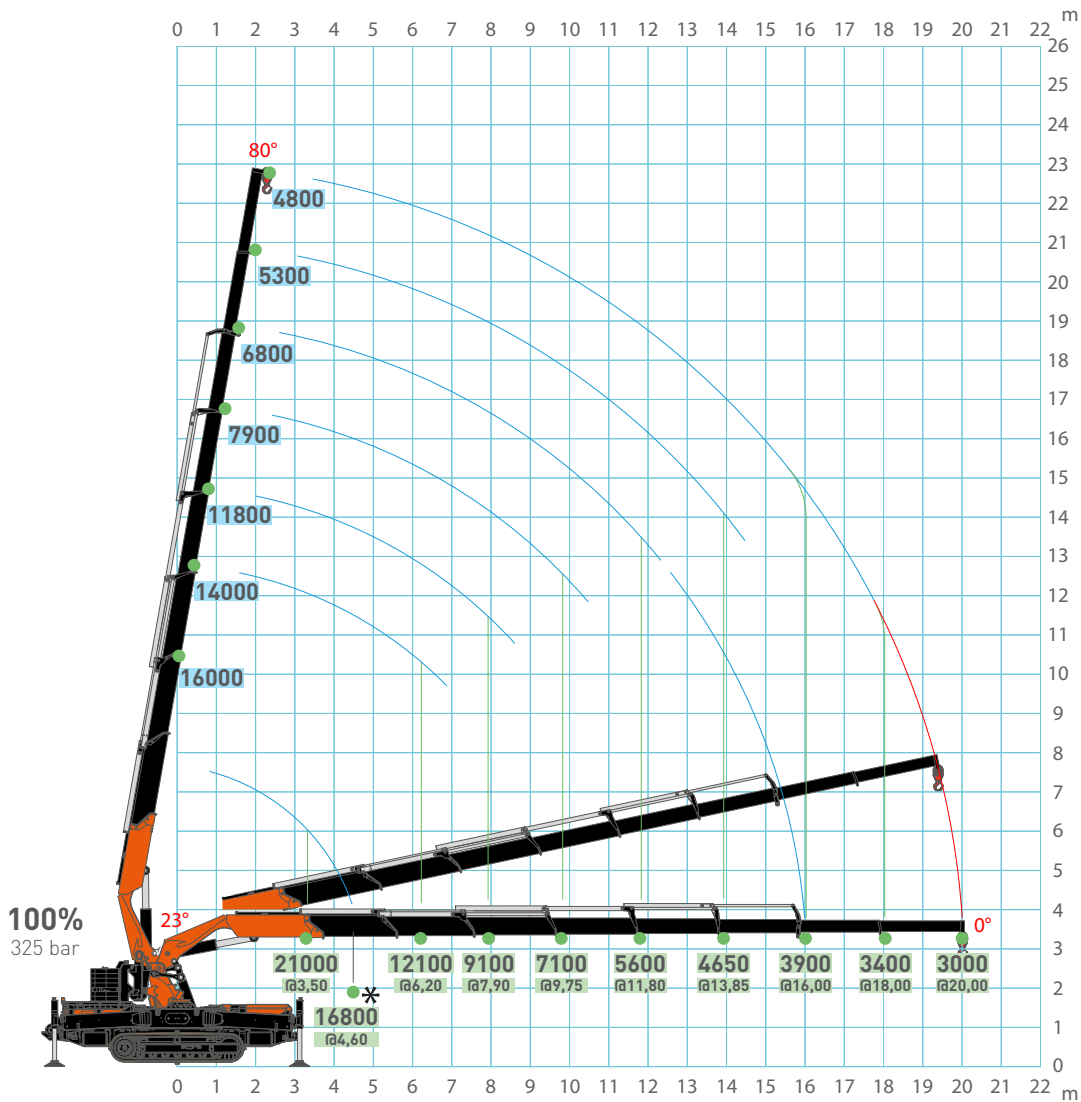
MAIN BOOM



JIB5400.6HA

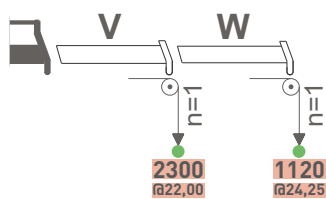
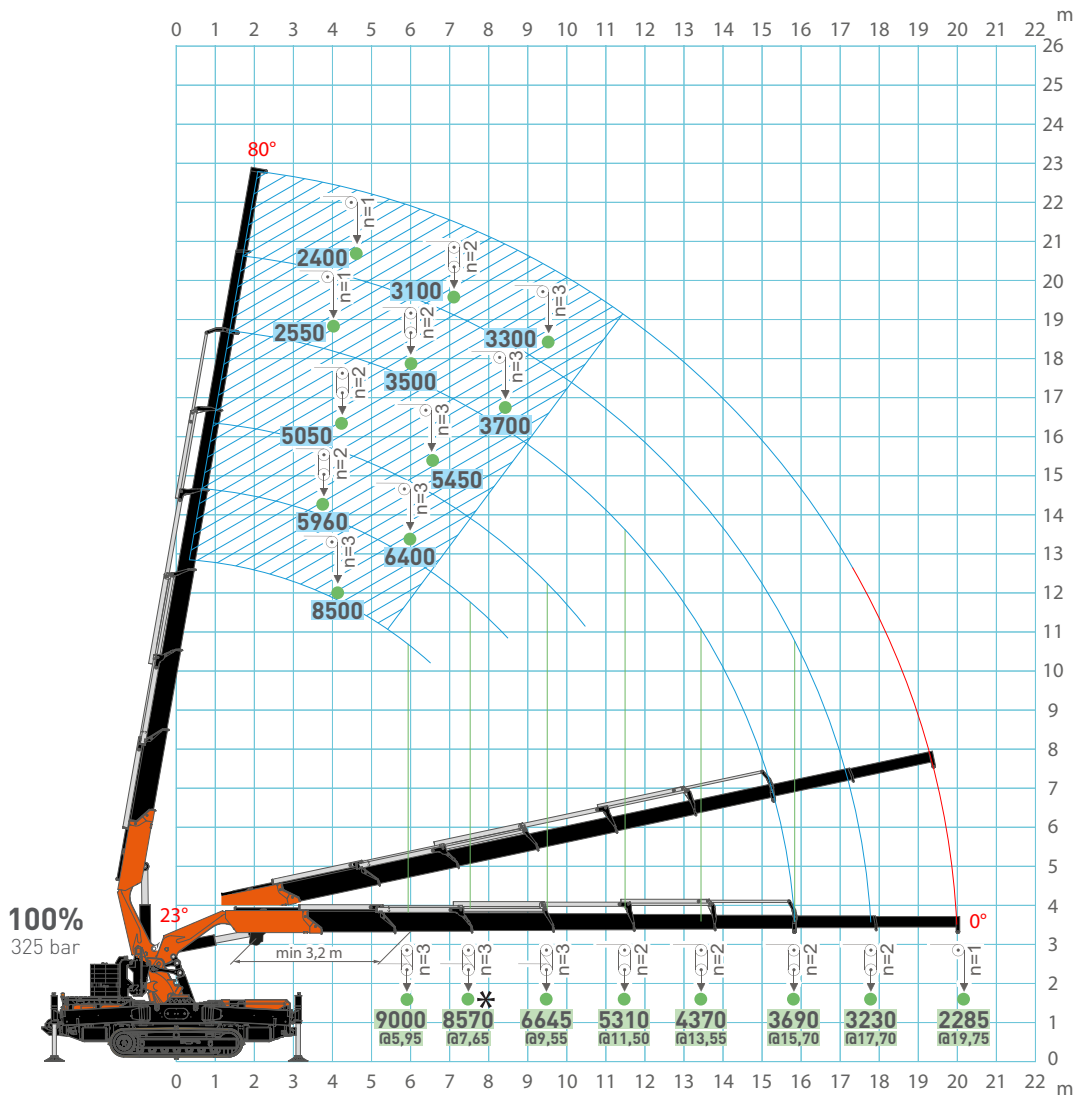


MAIN BOOM



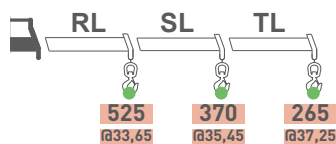
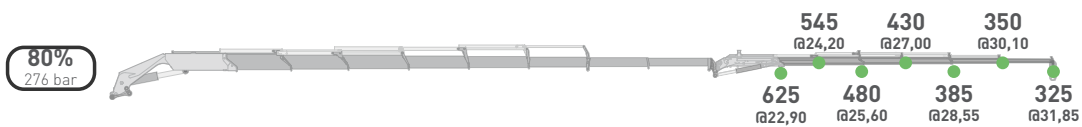
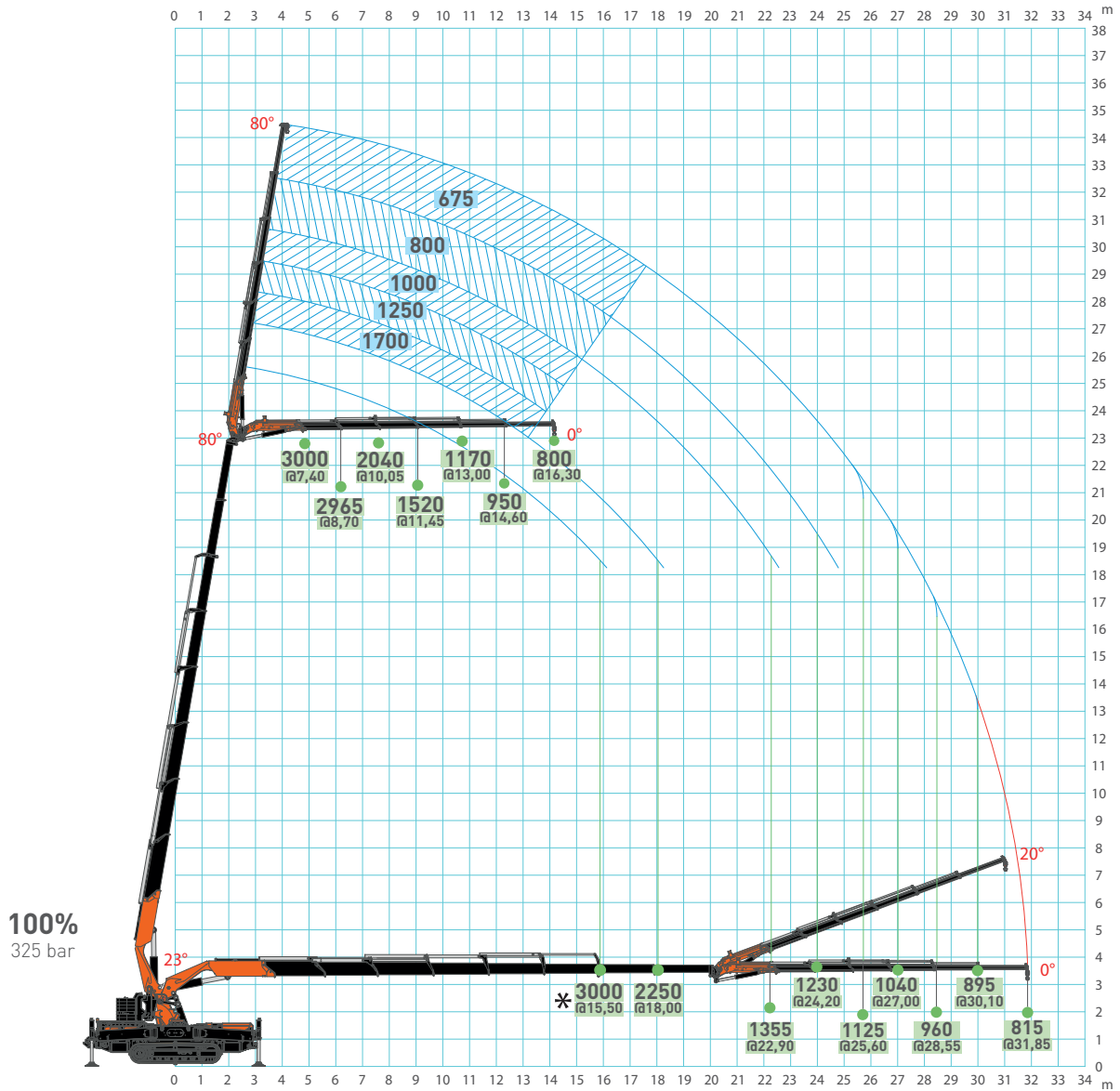
[m] [kg]

MAIN BOOM



[m] [kg]

JIB5400.6HA

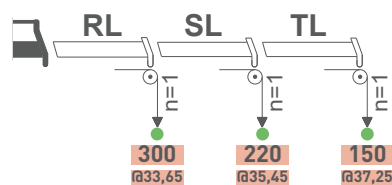
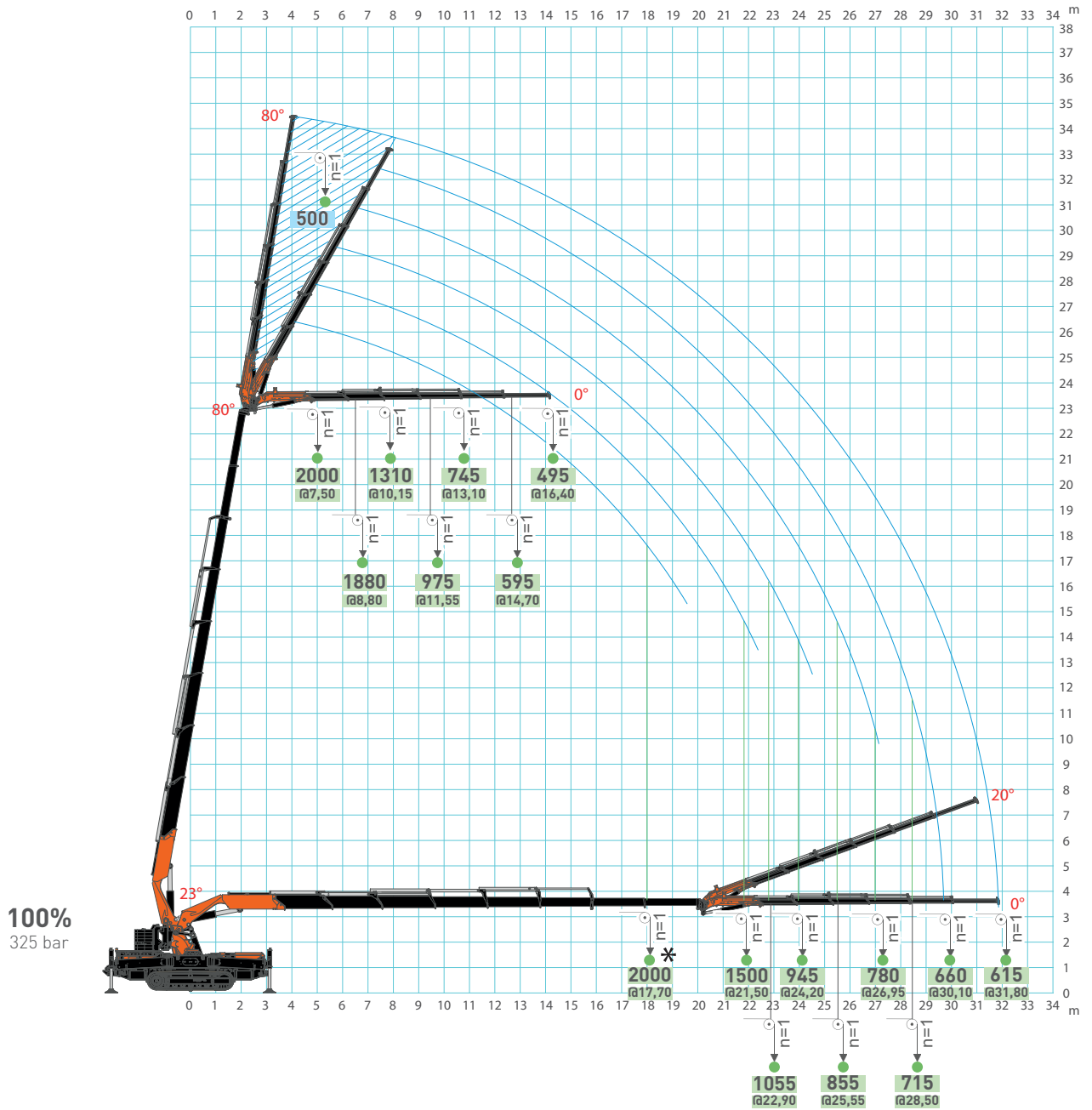


[m] [kg] The load chart refers to the crane in deflection condition.

JIB5400.6HA



V30

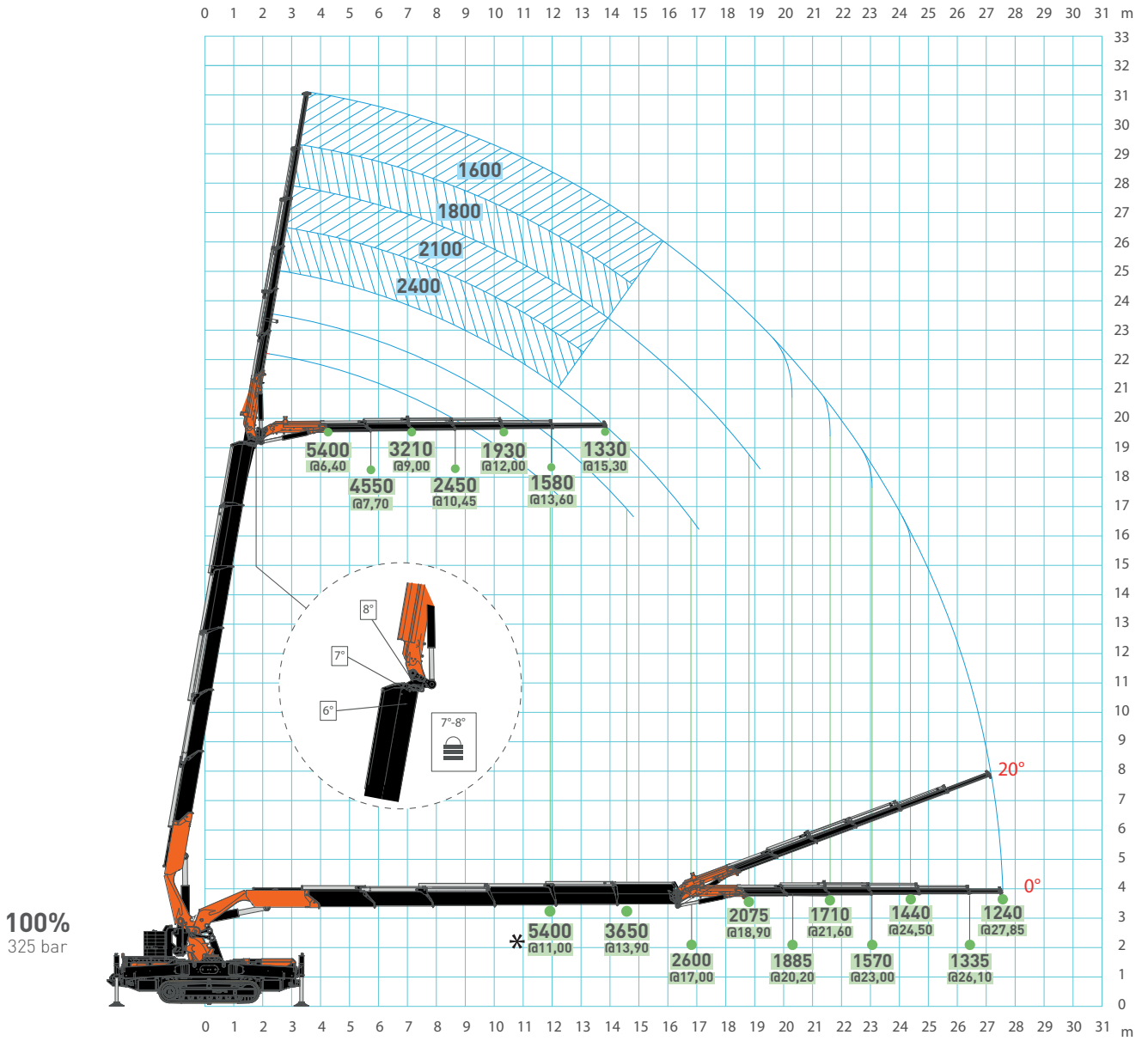


The load chart refers to the crane in deflection condition.

[m] [kg]

JIB5400.6HA

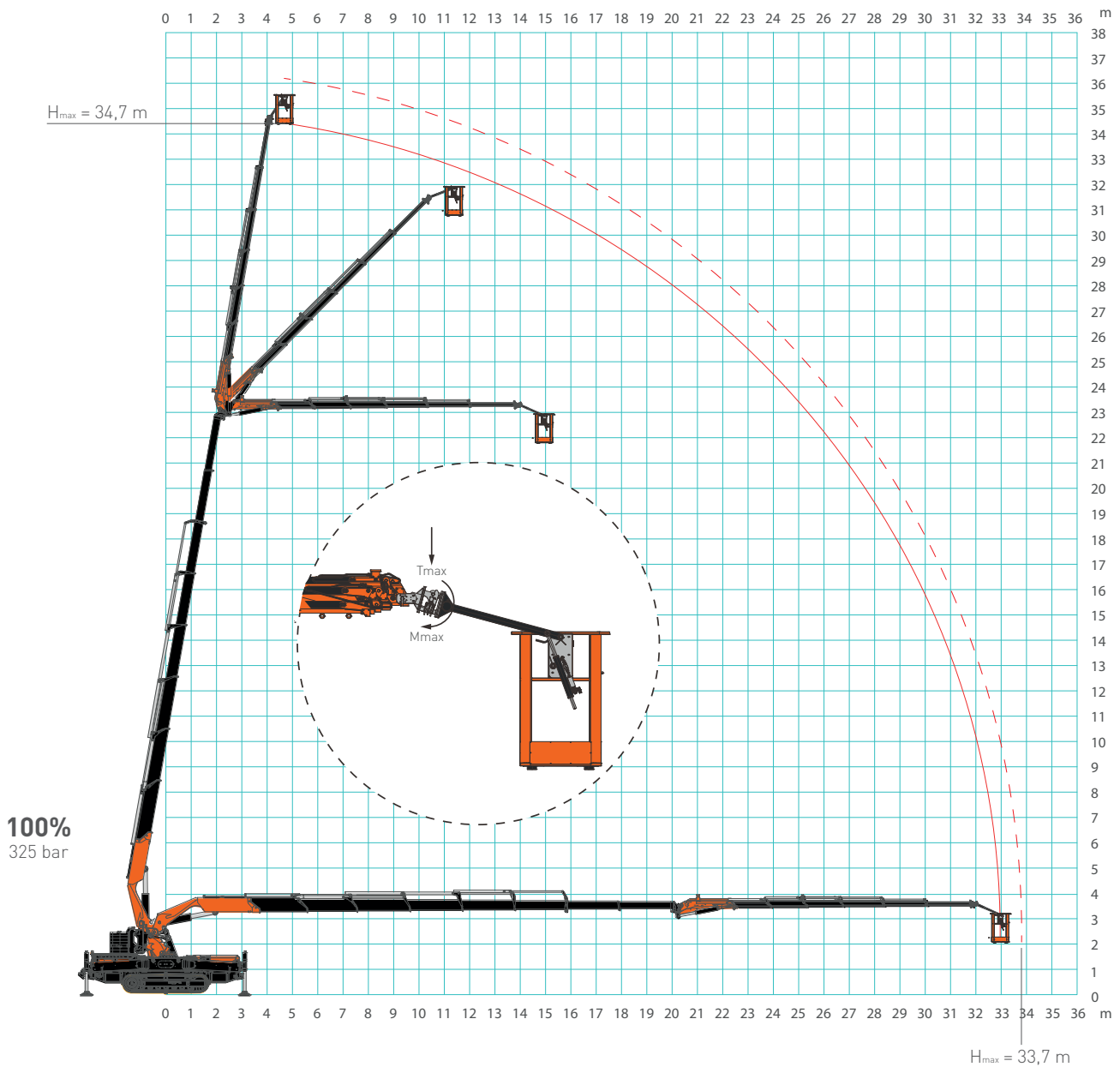
JDP configuration



MWP-2PG.JIB5400.6HA



V30



PLE	MWP-2PG.JIB5400.6HA	P_{max}	200 kg
-----	---------------------	-----------	--------

*: The load chart refers to the crane in deflection condition.

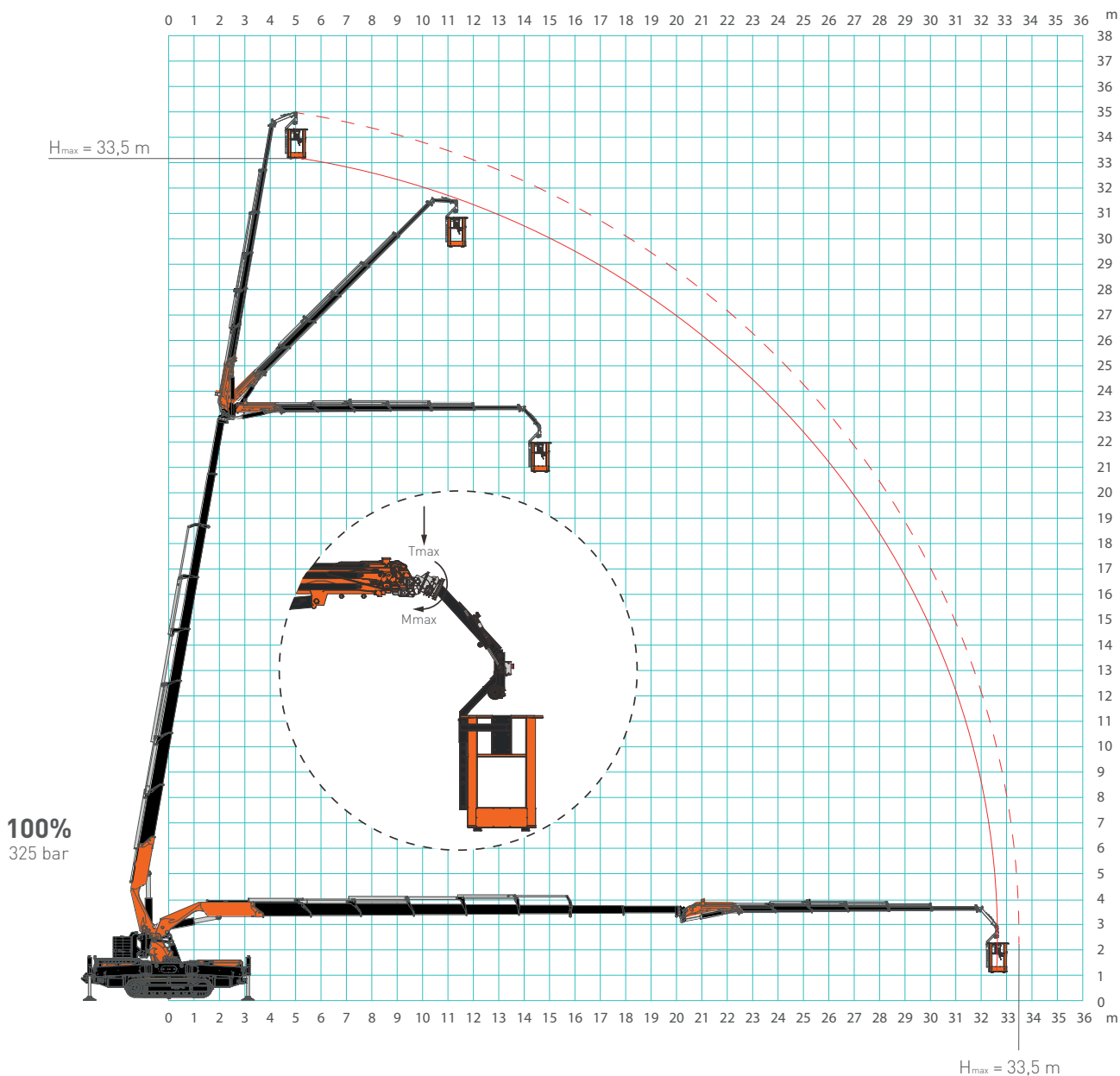
** : The crane is equipped with LMI. The maximum reachable distance may vary by about 1m.

***: The maximum reachable distance can be reached by extending the JIB first and then extending the boom.

MWP-2PGR.JIB5400.6HA



V30



PLE	MWP-2PGR.JIB5400.6HA	P_{max}	200 kg
-----	----------------------	-----------	--------

*: The load chart refers to the crane in deflection condition.

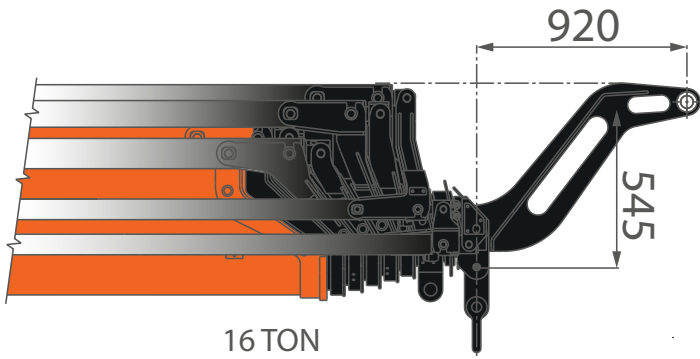
** : The crane is equipped with LMI. The maximum reachable distance may vary by about 1m.

***: The maximum reachable distance can be reached by extending the JIB first and then extending the boom.

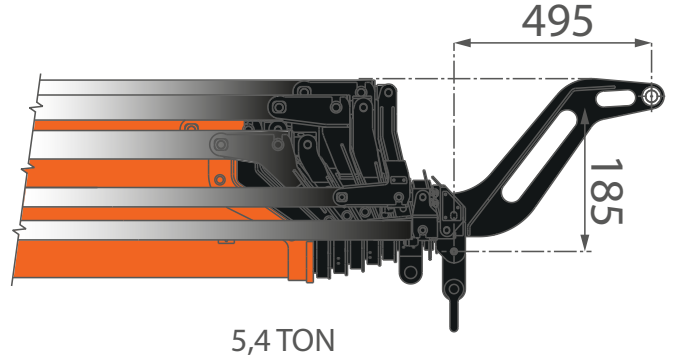
ACCESSORIES FEATURES

MEH-JF990.8

MEH-JIB5400.6HA



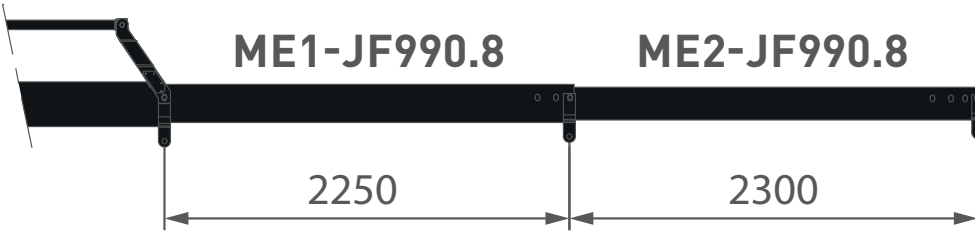
16 TON



5,4 TON

ME1-JF990.8

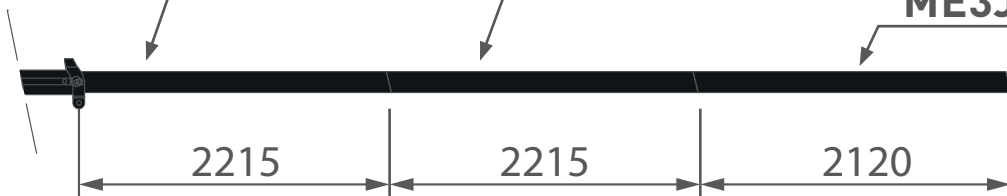
ME2-JF990.8



ME1-JIB5400.6HA

ME2-JIB5400.6HA

ME3-JIB5400.6HA



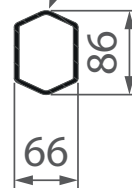
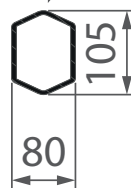
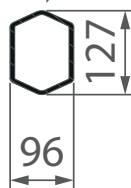
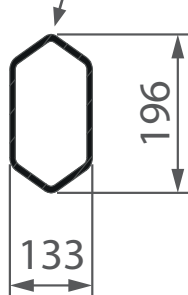
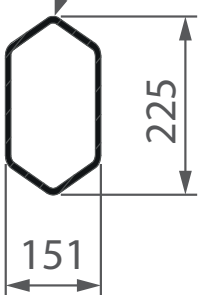
ME1-JF990.8

ME2-JF990.8

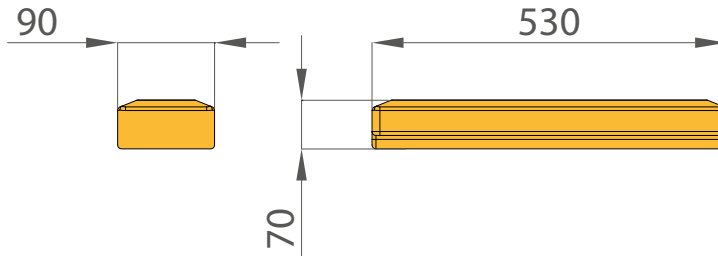
ME1-JIB5400.6HA

ME2-JIB5400.6HA

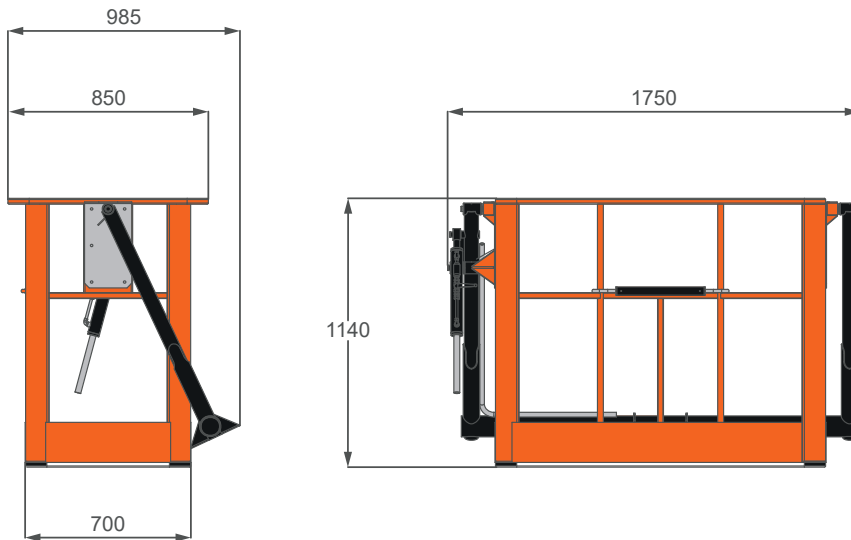
ME3-JIB5400.6HA



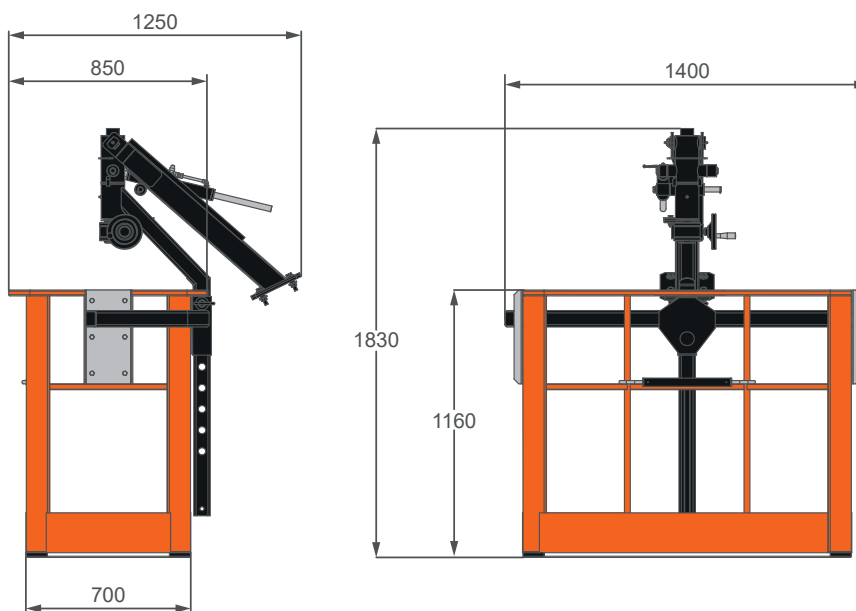
WTP-JFX



MWP-2PG.JIB5400.6HA

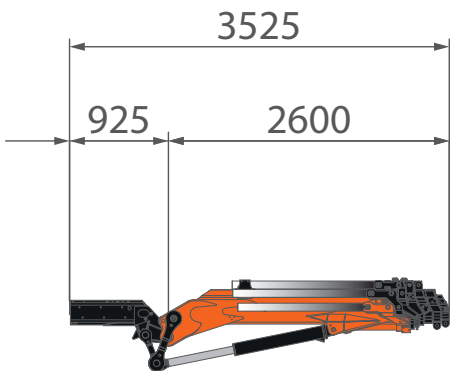


MWP-2PGR.JIB5400.6HA











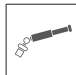













[mm]

JIB5400.6HA



SYMBOLS

	Weight		Diesel Engine		Boom Angle		Outriggers Mats
	Crane		Powerpack		Boom Length		Hydraulic Oil
	Gradeability		Turret Slewing		Jib		Maximum Outriggers Load
	Travel Speed		Electric Engine		Hookblock		Working Temperature
	Track Load		Maximum Capacity		Low Marking Pads		Main Winch
	Person Lifting Equipment		Hook				

- Load limited by LMI
- Load to be limited by the operator
- Load to be verified and limited by the operator
- * Max. moment

REMARKS REFERRING TO LOAD CHART

- HC1 HD5 S2 lifting class, according to EN12999:2020 standards.
- Lifting capacities are given in kilograms.
- Hookblocks, hooks and eventual manual extensions weight is part of the load and therefore must be deducted from lifting capacities.
- Working radius is measured from the column slewing axis.
- Subject to modification of lifting capacities.
- All specifications and features herein described can be changed without prior advice.
- All indicated data are indicative only and are not binding as crane performs differently depending on its use.



Jekko s.r.l.

Via Campardone, 1 - 31014 Colle Umberto (TV) - Italy
info@jekko.it - www.jekko-cranes.com

11.02.2025 | Rev1.0

SERIAL NUMBER: