



Technical Data

Specification & Capacities

JF235



EN 12999:2020

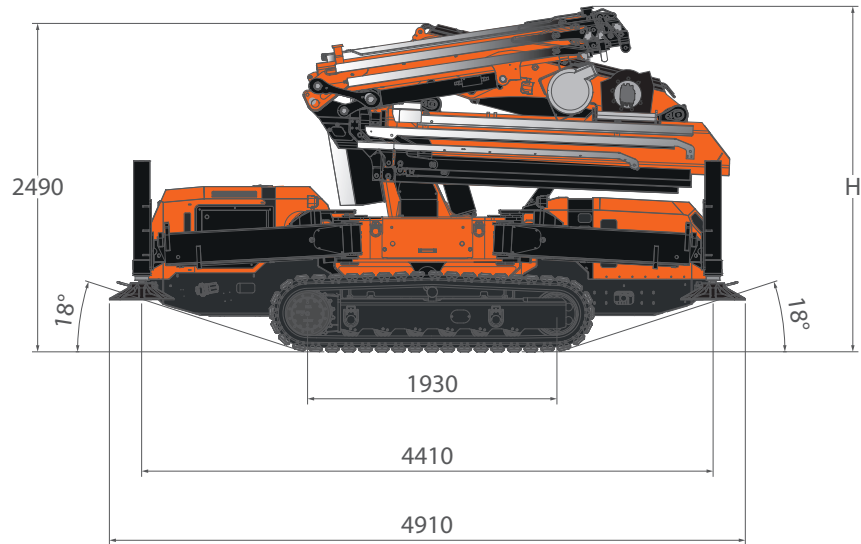
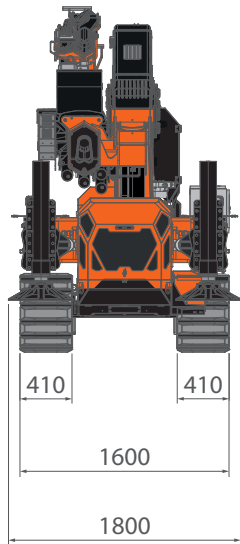
06.09.2024 | Rev1.1

[m] [kg]

JF235 CDH-3 Overall Dimensions

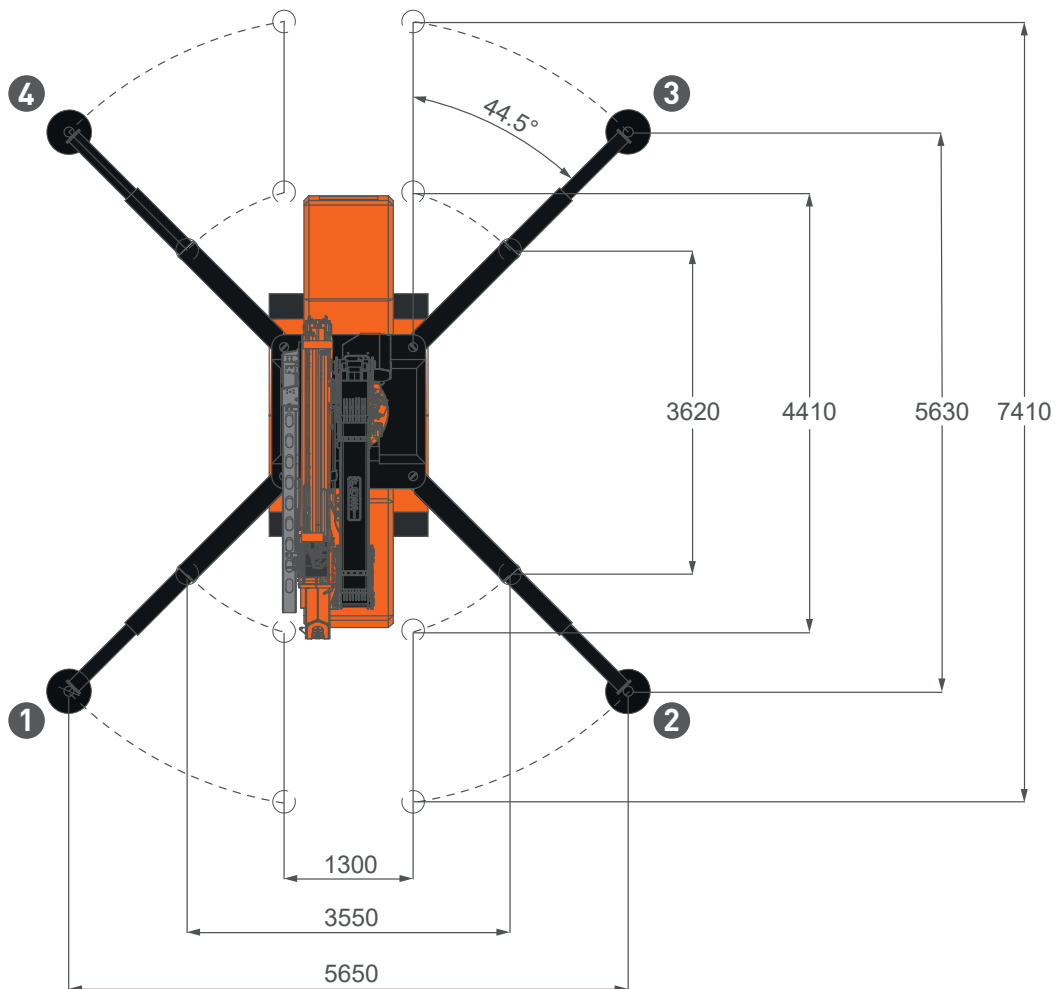
OVERALL DIMENSIONS

(with jib and low marking pads)



H	WITH ACTIVATION	2800
	W/O ACTIVATION	2630


STABILITY AREA



[mm]

OVERALL INFORMATIONS


	NAME		DESCRIPTION	U.M	VALUE
CRANE INFO		OVERALL DIMENSIONS	Height	mm	2.800
			Length		4.910
			Width		1.800
		BOOM	Length	m	12,7
			Speed	s	27
		SLEWING	Angle	°	360°
			Speed	rpm	1,5
		LIFTING	Working Angle	°	82
			Speed	s	Primary: 18 Secondary: 19
			Max Capacity	kg	6.150
			Max Outrigger Bearing Load	kg	10.150 [†]
			Track load	kg/cm ²	0,60
		Travel Speed	Slow	km/h	0,9
			Fast		1,8
Kickdown			2,3		
		Gradeability	°	15° [27%]	
		Working Temperature	°C	-20°/+40°	
		Sound Emissions	dB	99	







WEIGHT		CRANE	JF235CDH-3	kg	9.470*
--------	---	-------	------------	----	--------



*: Dry weight


†: In maximum stability condition

JF235 CDH-3 Overall Informations

HOOKBLOCKS		HOOK BLOCK	Single Fall	kg	20
			Double Fall		49
			Single Fall Jib		74

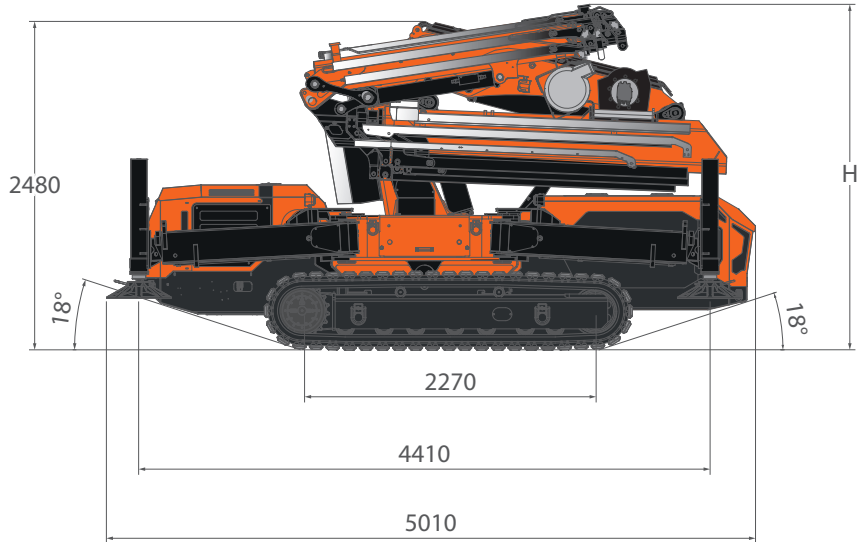
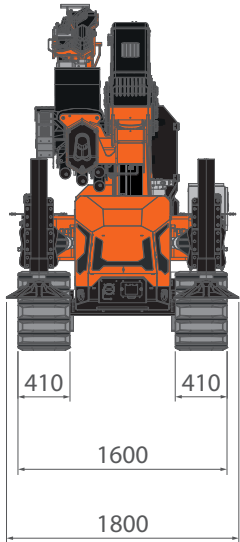
ACCESSORIES		JIB	JIBL214	With activation	kg	770
				Without activation		700
		MANUAL EXTENSIONS	ME1-JF235.4	kg	85	
			ME2-JF235.4		70	
			ME3-JF235.4		45	
			MEH-JF235.4		35	
			ME1-JIB2500.4HA		21	
			MEH-JIB2500.4HA		15	
		LOW MARKING PADS	WTP-JFM (x76)	kg	190	
		OUTRIGGERS MATS	OM500 (x4)	kg	92	
		POWERPACK	3-Phase Power pack	kg	80	
		PLE	MWP-1PG.JIB2500.4HA	kg	110	
			MWP-2PG.JIB2500.4HA		136	
MWP-2PGR-A.JIB2500.4HA			150			

ENGINE		DIESEL ENGINE	Power	
			kW	33
			HP	44,9
	Tank capacity		L	52
		ELECTRIC	Voltage	
			V	400
Power		kW	13,5	

HYDRAULIC SYSTEM		Working Pressure				
				bar	320	
		Tank Capacity		L	120	
		OIL	Type		Mineral	ISO 6743-4:HV
			Viscosity Grade		VG	46
		DIESEL MAIN PUMP	Type		Variable flow Pump LS	
			Displacement		cm ³ /rev	28
			Max Oil Flow		L/min	80
		ELECTRIC MAIN PUMP	Type		Variable Flow Pump LS	
			Displacement		cm ³ /rev	45
			Max Oil Flow		L/min	60

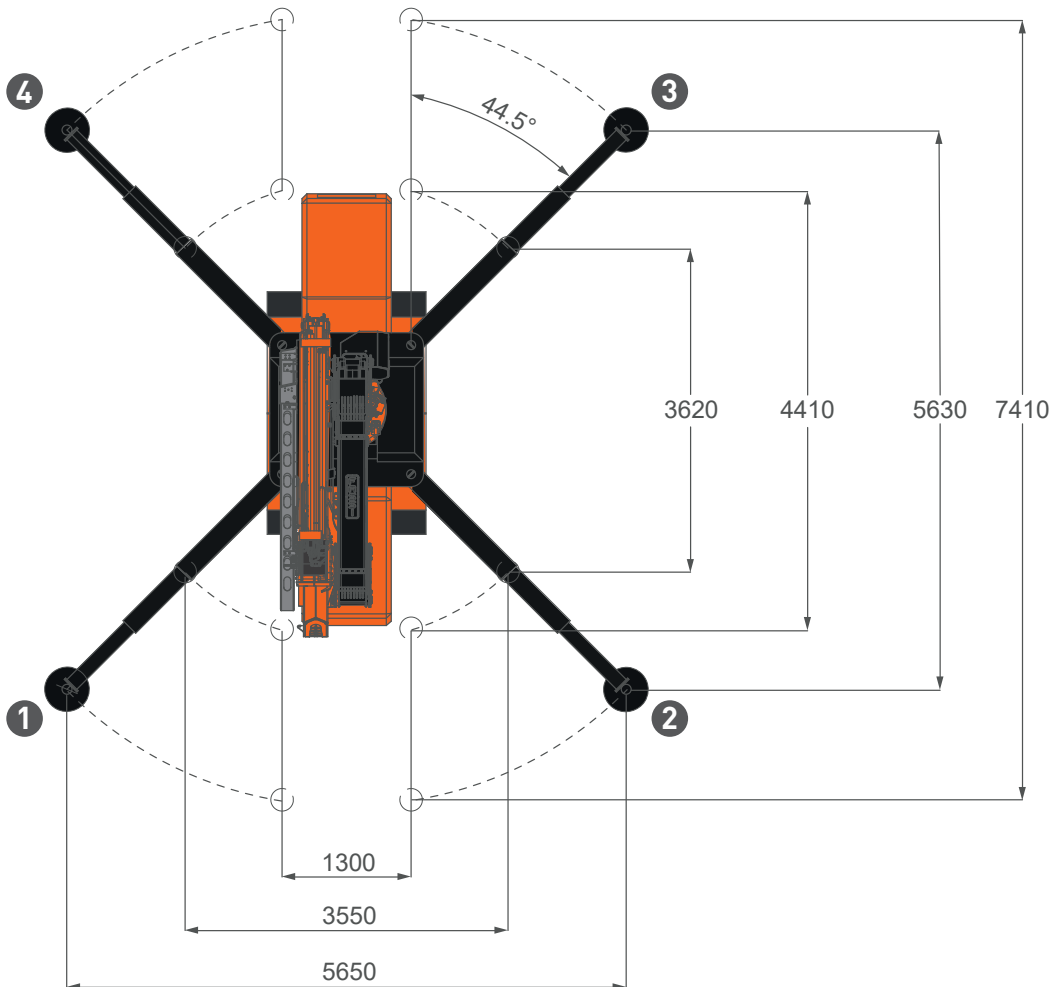
OVERALL DIMENSIONS

(with jib and low marking pads)



H	WITH ACTIVATION	2790
	W/O ACTIVATION	2620

STABILITY AREA




[mm]

OVERALL INFORMATIONS









CRANE INFO		NAME	DESCRIPTION	U.M	VALUE	
CRANE INFO		OVERALL DIMENSIONS	Height	mm	2.790	
			Length		5.010	
			Width		1.800	
		BOOM	Length	m	12,7	
			Speed	s	27	
		SLEWING	Angle	°	360°	
			Speed	rpm	1,5	
		LIFTING	Working Angle	°	82	
			Speed	s	Primary: 18 Secondary: 19	
			Max Capacity	kg	6.150	
			Max Outrigger Bearing Load	kg	-†	
			Track load	kg/cm ²	0,53	
			Travel Speed	Slow	km/h	0,9
				Fast		1,8
Kickdown				2,0		
		Gradeability	°	15° (27%)		
		Working Temperature	°C	-20°/+40°		

WEIGHT		CRANE	JF235CL	kg	9.780
--------	---	-------	---------	----	-------


†: In maximum stability condition


JF235 CL Overall Informations

HOOKBLOCKS		HOOK BLOCK	Single Fall	kg	20
			Double Fall		49
			Single Fall Jib		74

ACCESSORIES		JIB	JIBL214	With activation	kg	770
				Without activation		700
		MANUAL EXTENSIONS	ME1-JF235.4	kg	85	
			ME2-JF235.4		70	
			ME3-JF235.4		45	
			MEH-JF235.4		35	
			ME1-JIB2500.4HA		21	
			MEH-JIB2500.4HA		15	
		LOW MARKING PADS	WTP-JFM (x76)	kg	190	
		OUTRIGGERS MATS	OM500 (x4)	kg	92	
		PLE	MWP-1PG.JIB2500.4HA	kg	110	
			MWP-2PG.JIB2500.4HA		136	
			MWP-2PGR-A.JIB2500.4HA		150	



MOTOR		ELECTRICAL MOTOR	Power Supply	Lithium Battery	
			Battery Voltage	V	48
			Battery Capacity	Ah	1.312
			Motor Power	kW	12

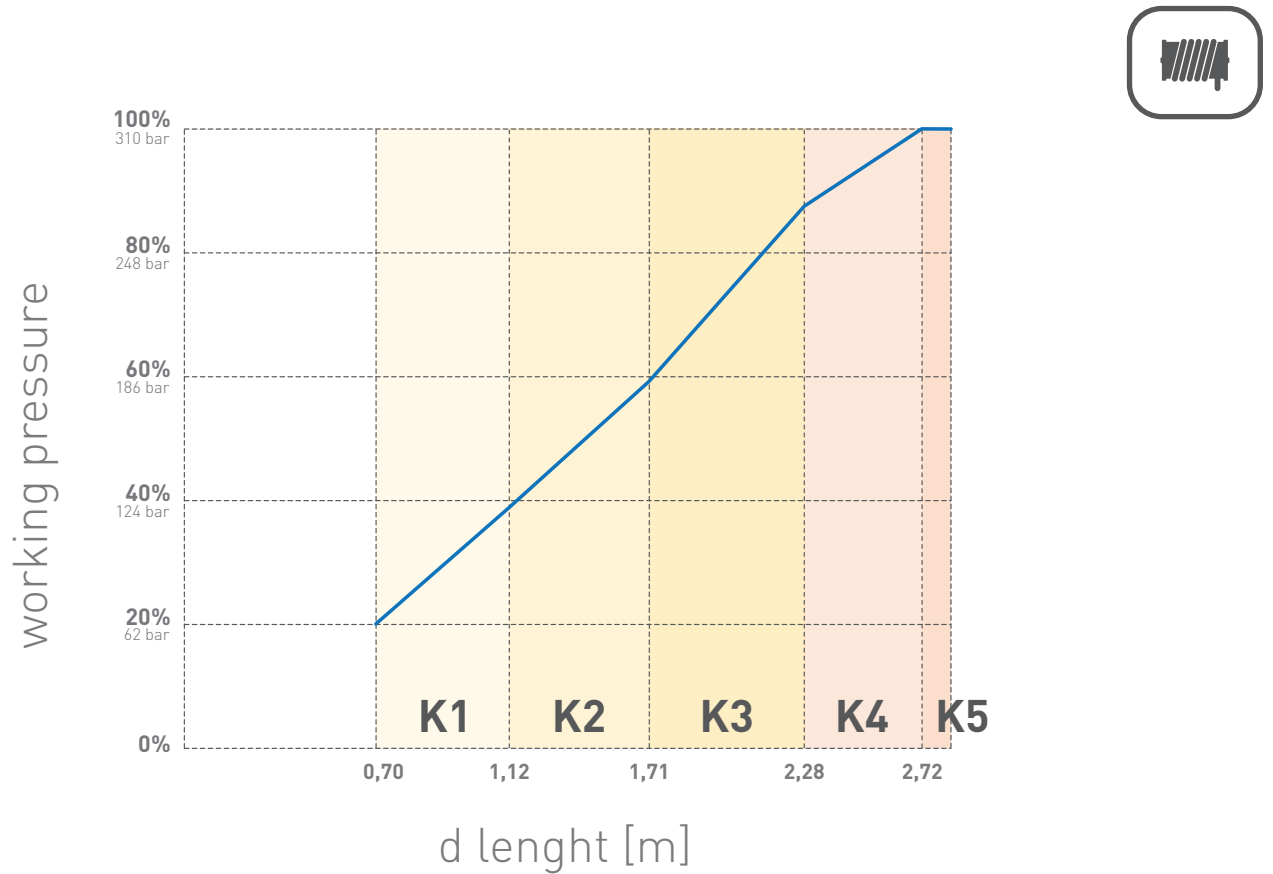
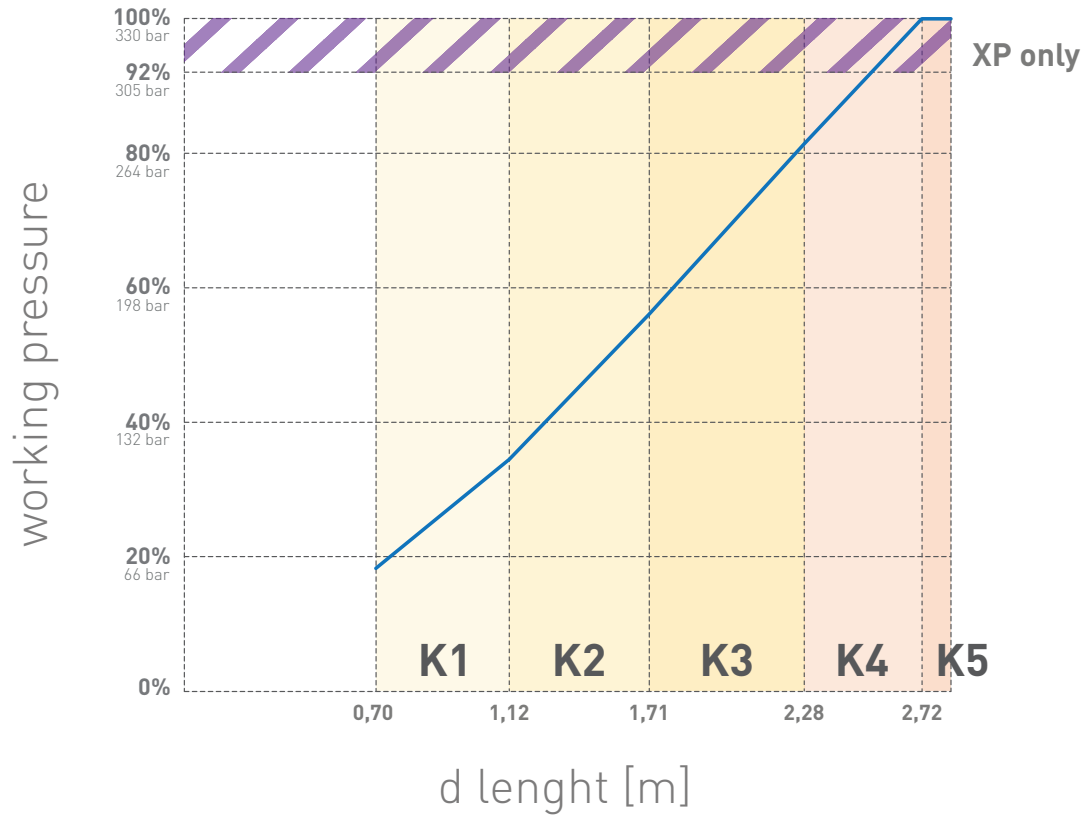
HYDRAULIC SYSTEM		Working Pressure		bar	320
		Tank Capacity		L	120
		OIL	Type	Mineral	ISO 6743-4:HV
			Viscosity Grade	VG	46
		MAIN PUMP	Type	Variable Flow Pump LS	
			Displacement	cm ³ /rev	28
			Max Oil Flow	L/min	80

WINCH PERFORMANCE

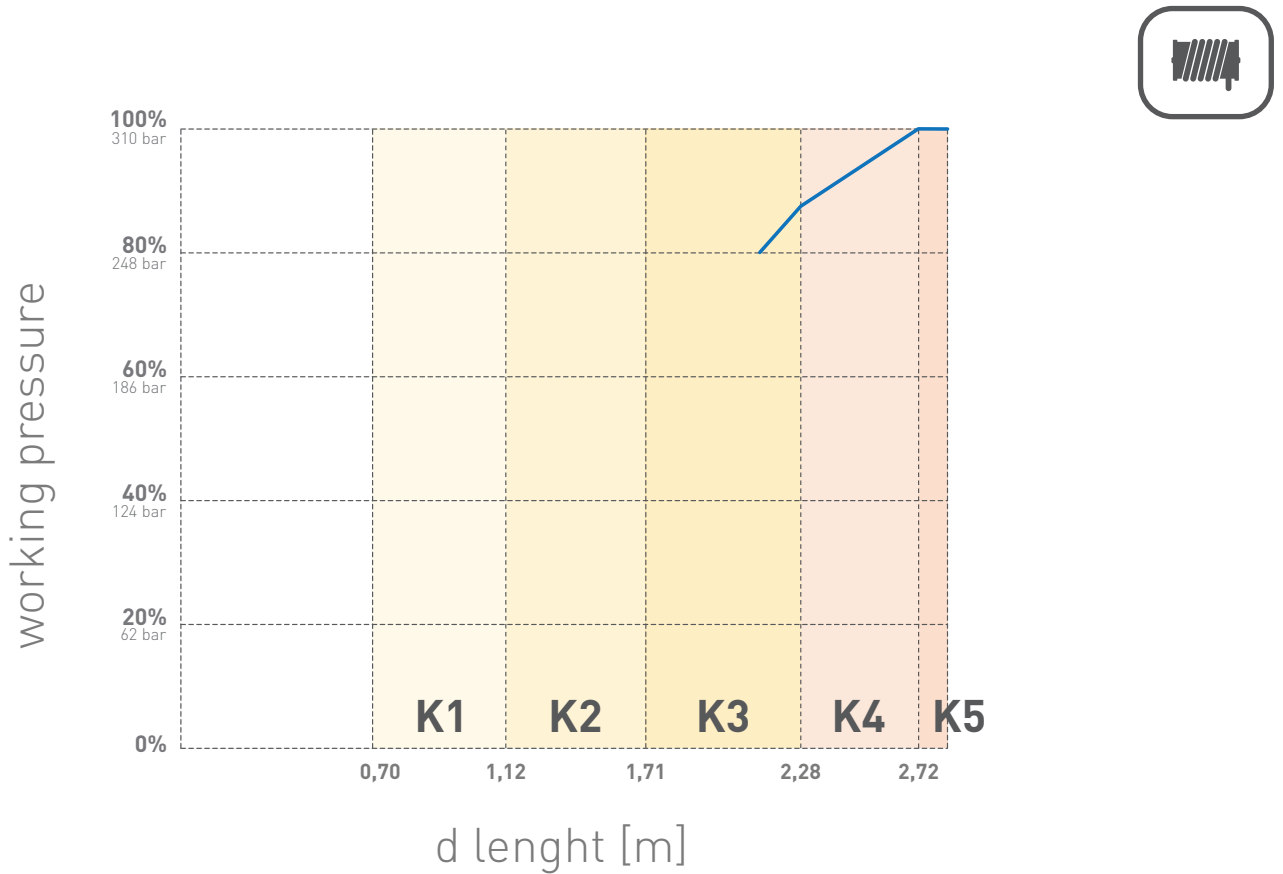
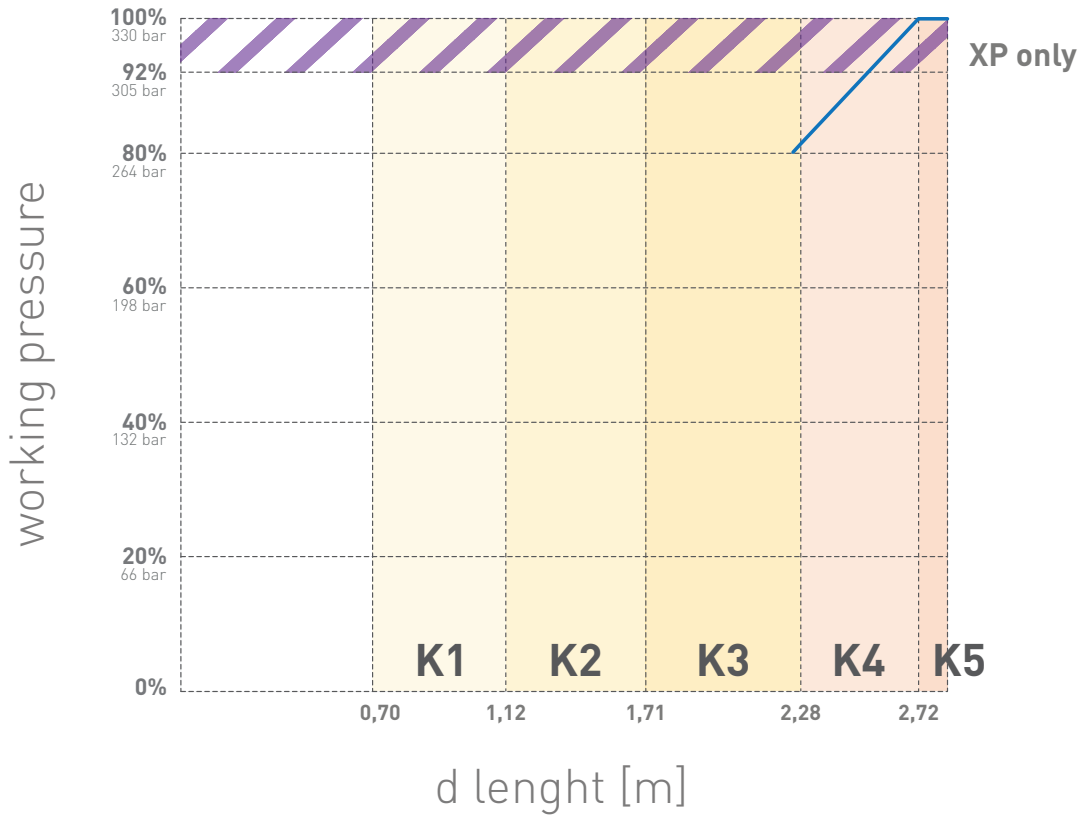
WINCH	Layer	Max pull line	Standard rope speed	
		daN	m/min	
	1	2.000	39,2	
	4	1.556	50,3	
ROPE	Wire rope	Max load	Ø	Total length
		daN	mm	m
	19x7 right lang lay Non rotating	9.330	10	40

HOOK BLOCK	Block type	Load	N° of	
		kg	Sheaves	Lines
	Double fall block	3.000	1	2
Single fall block	1.500	-	1	

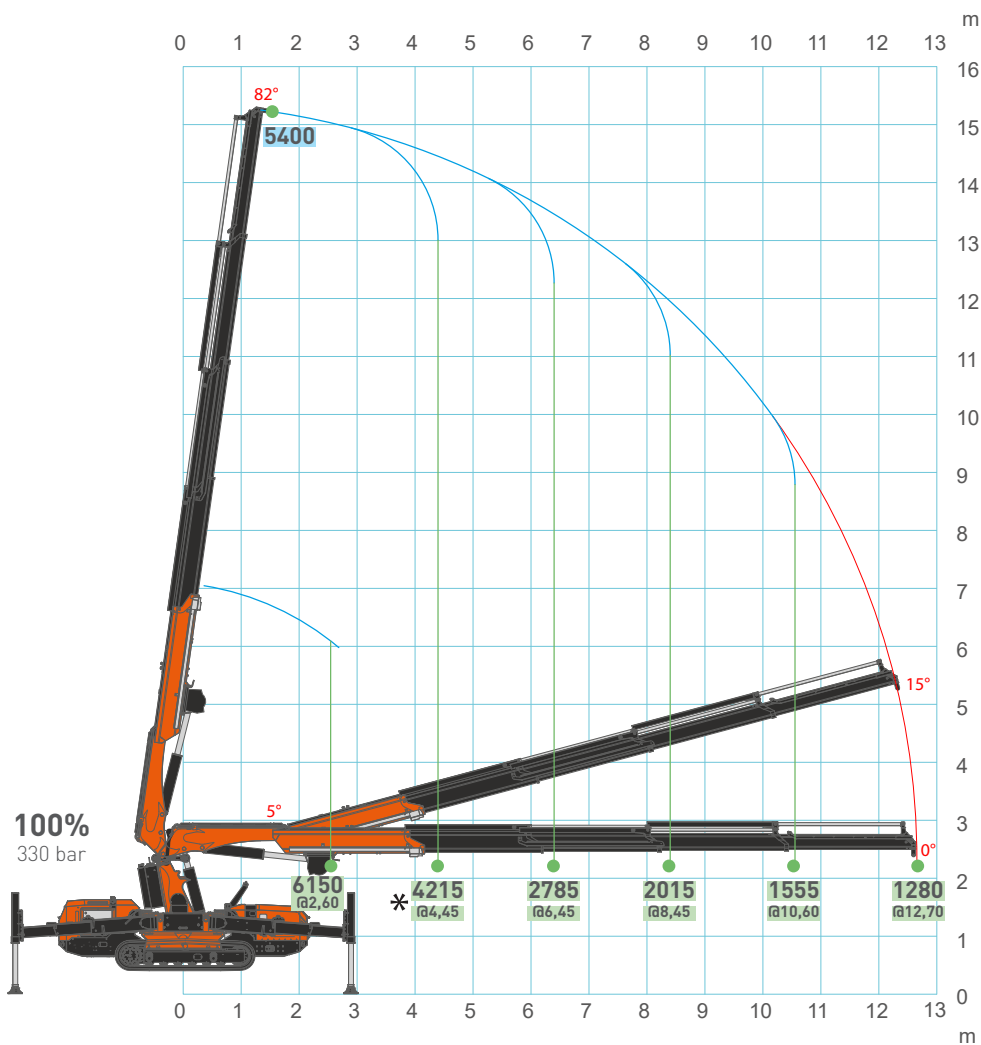
MAIN BOOM



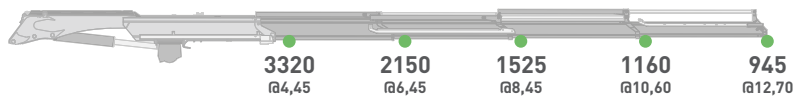
JIB



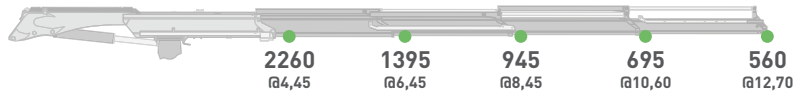
MAIN BOOM



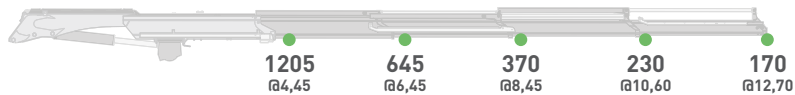
80%
264 bar



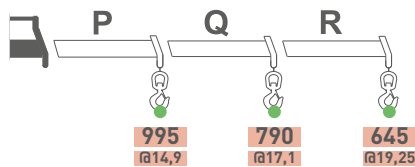
60%
198 bar



40%
132 bar

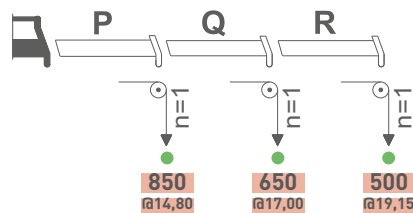
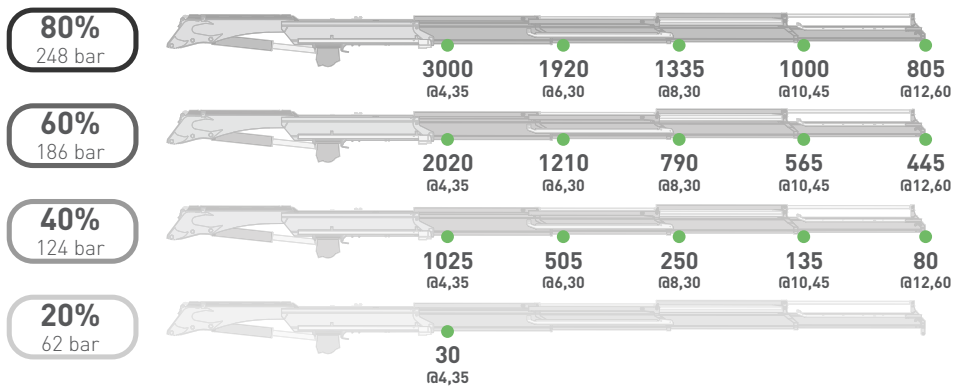
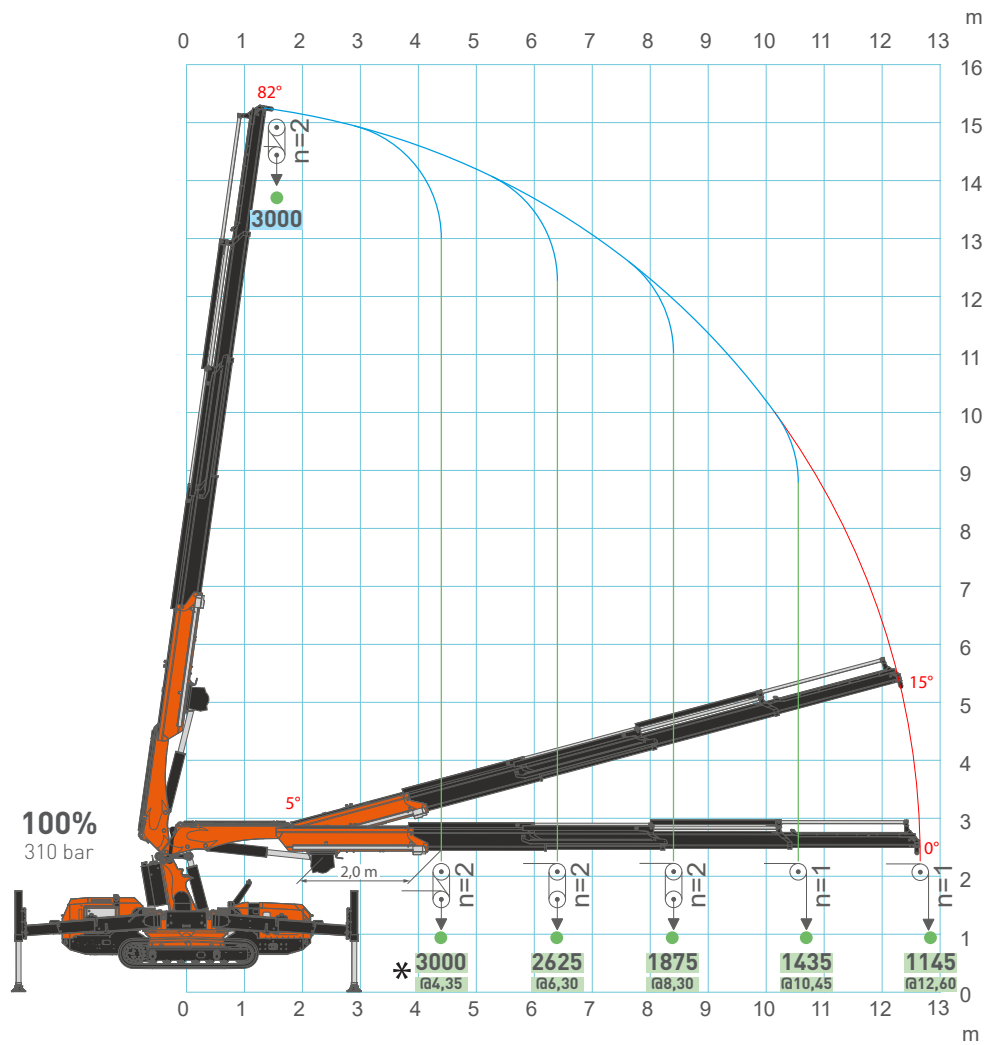


20%
66 bar



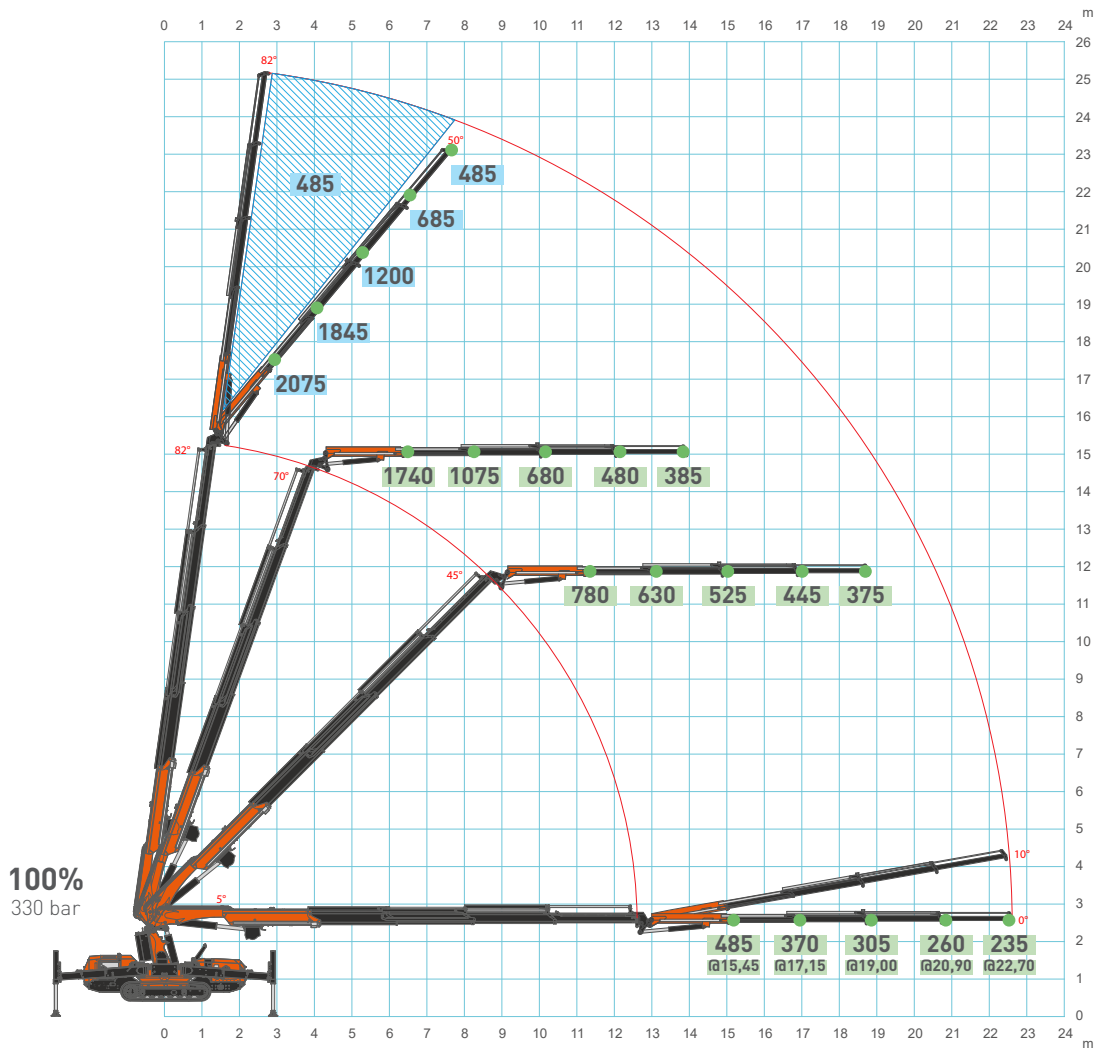
[m] [kg]

MAIN BOOM

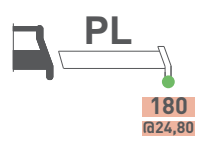


[m] [kg]

JIB

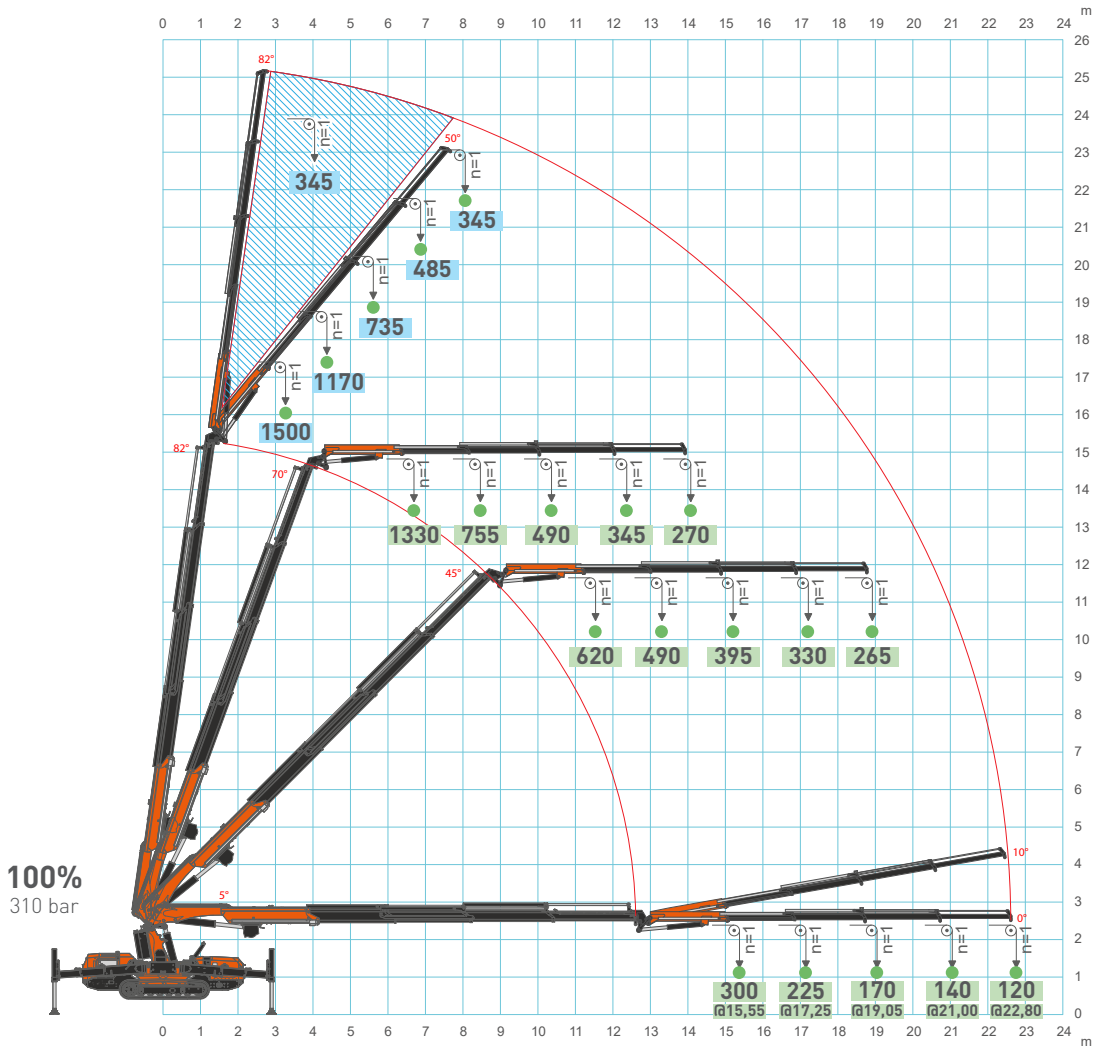


80%
264 bar

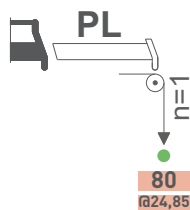


[m] [kg]

JIB



80%
248 bar

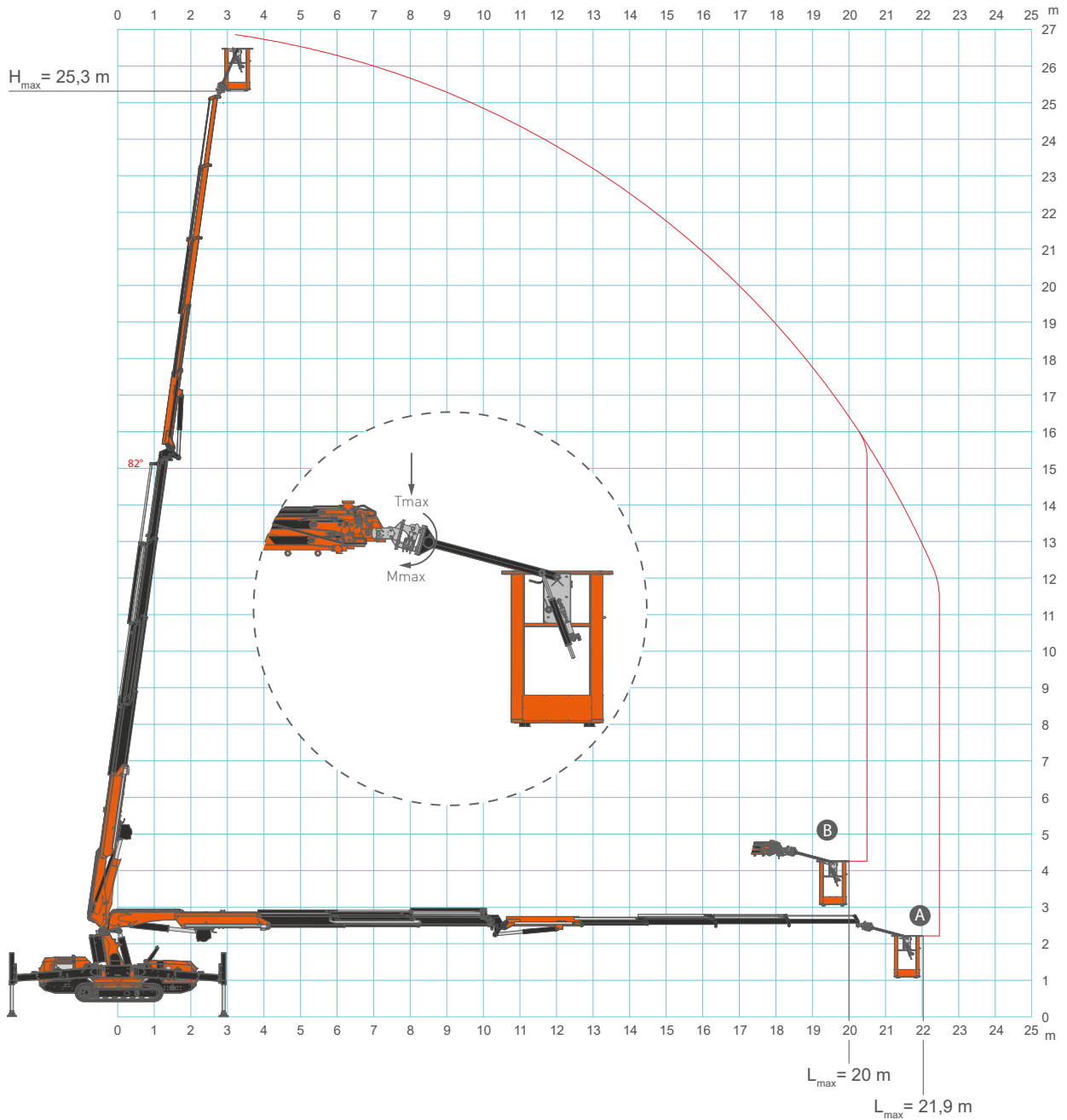


[m] [kg]

PLE



V15



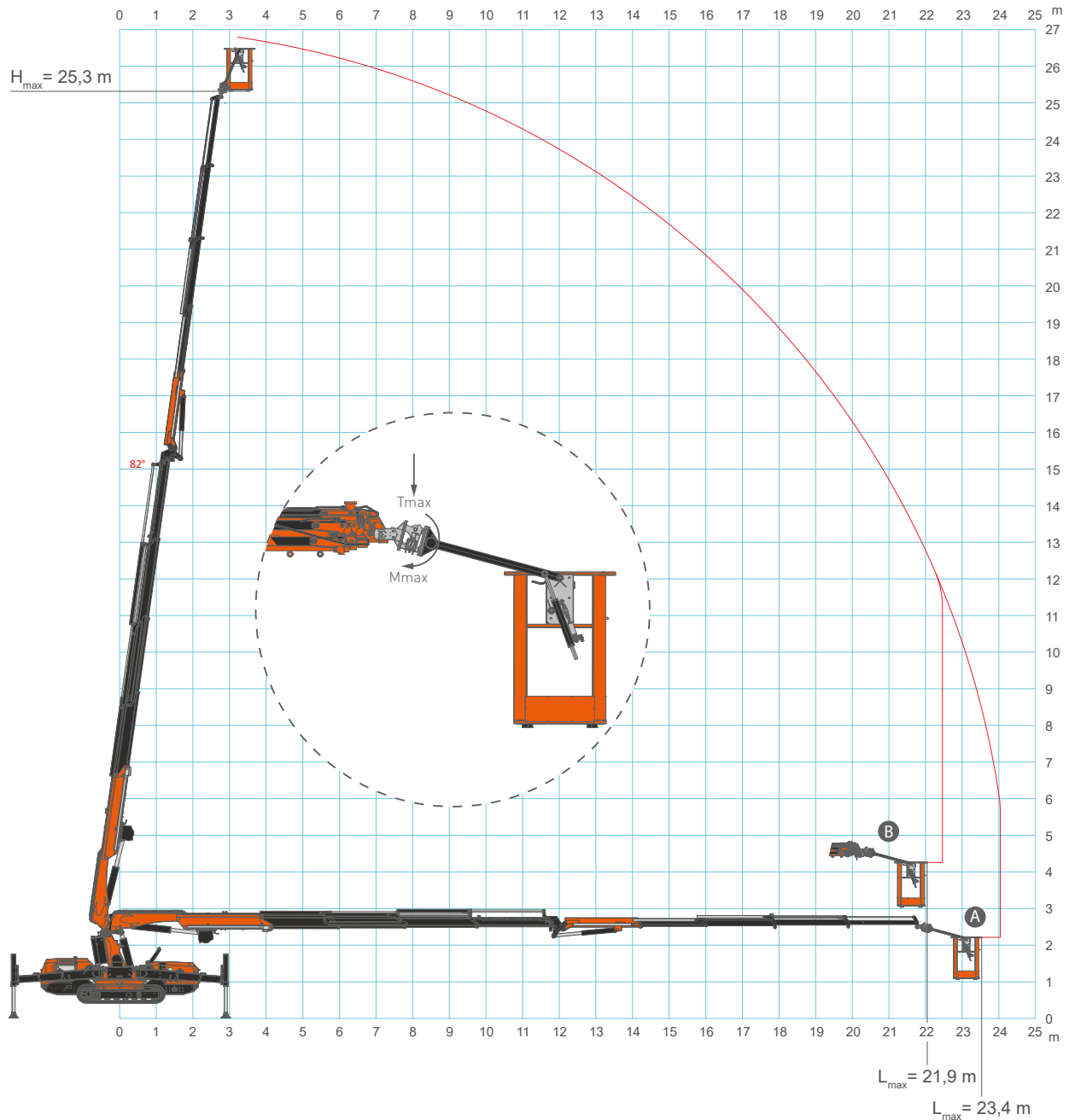
A	PLE	MWP-1PG.JIB2500.4HA	P_{max}	120 kg
B		MWP-2PG.JIB2500.4HA	P_{max}	200 kg

*: The crane is equipped with LMI. The maximum reachable distance may vary by about 1m.

** : The maximum reachable distance can be reached by extending the JIB first and then extending the boom.

JF235 Iron working platform chart

PLE



A	PLE	MWP-1PG.JIB2500.4HA	P_{max}	120 kg
B		MWP-2PG.JIB2500.4HA	P_{max}	200 kg

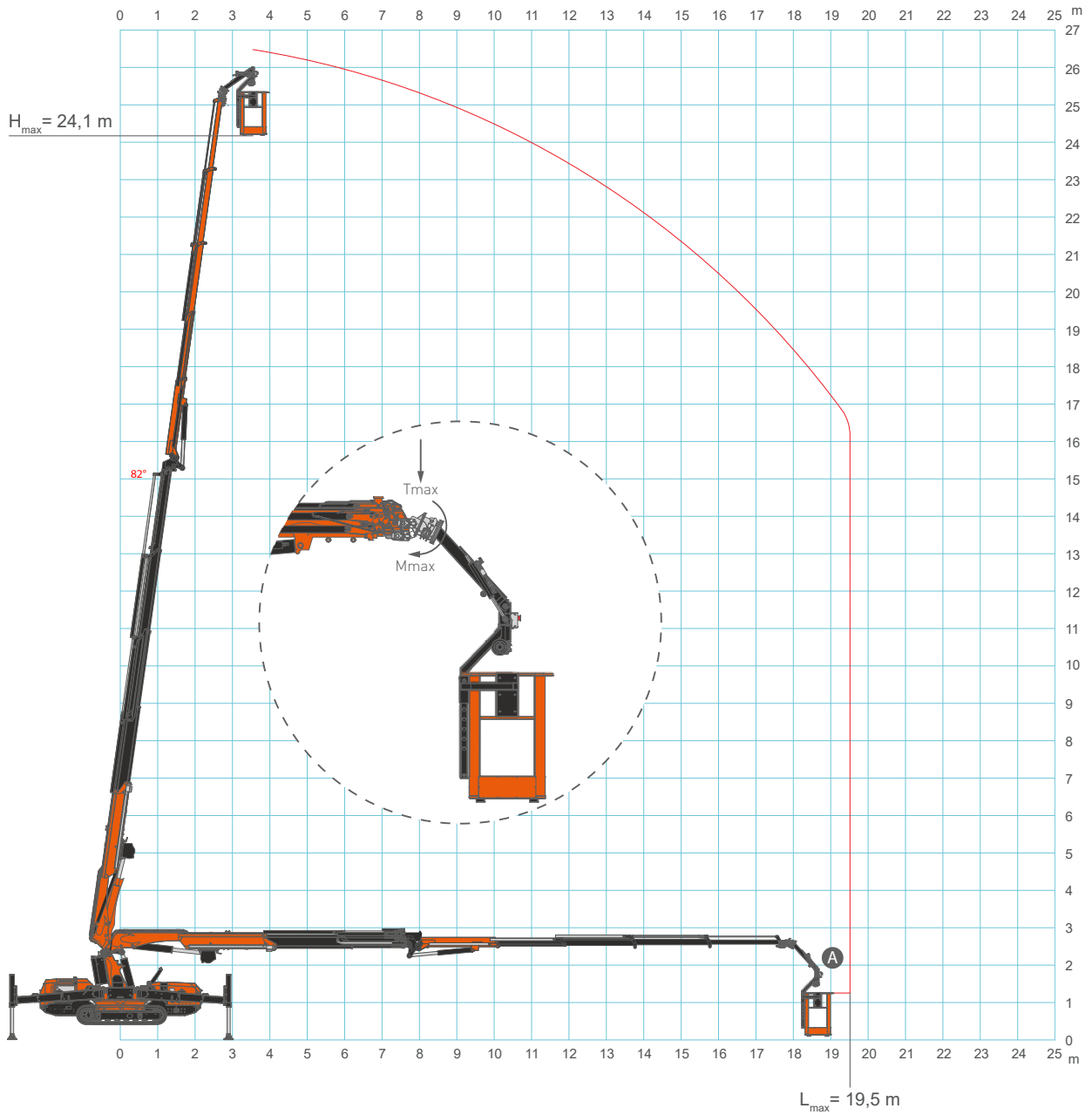
*: La gru è dotata di LMI. Lo sbraccio massimo potrebbe variare di circa 1m.

** : Lo sbraccio massimo viene raggiunto sfilando prima con il jib e poi con il braccio principale.

PLE



V15



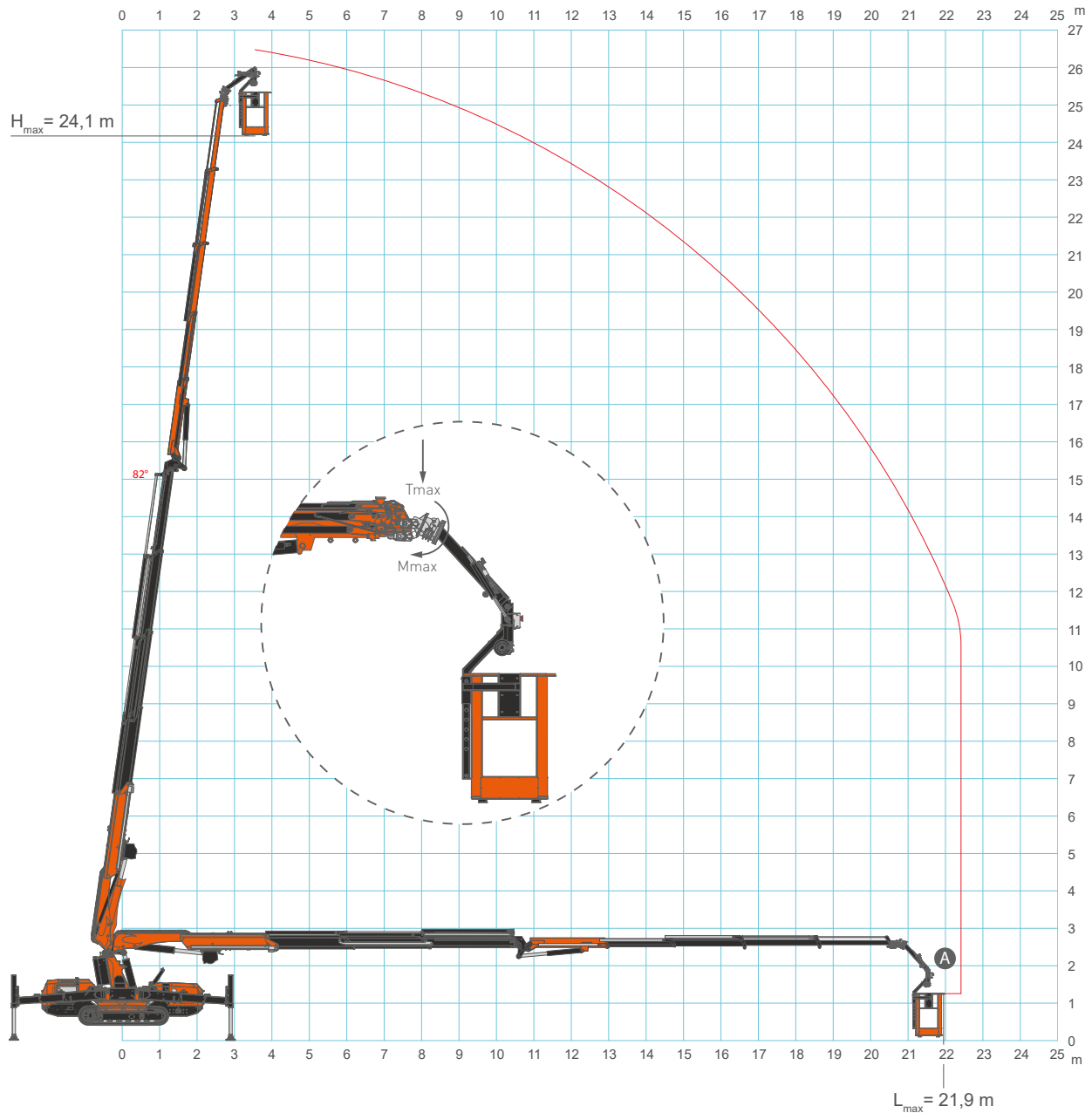
A	PLE	MWP-2PGR-A.JIB2500.4HA	With activation	P_{max}	200 kg
---	-----	------------------------	-----------------	-----------	--------

*: La gru è dotata di LMI. Lo sbraccio massimo potrebbe variare di circa 1m.

** : Lo sbraccio massimo viene raggiunto sfilando prima con il jib e poi con il braccio principale.

JF235 Aluminum working platform chart

PLE



A	PLE	MWP-2PGR-A.JIB2500.4HA	Without activation	P_{max}	200 kg
----------	-----	------------------------	--------------------	-----------	--------

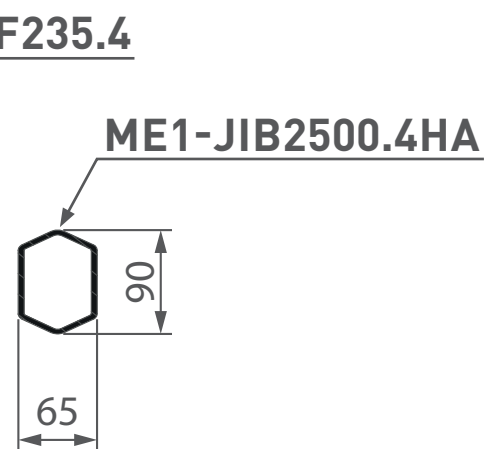
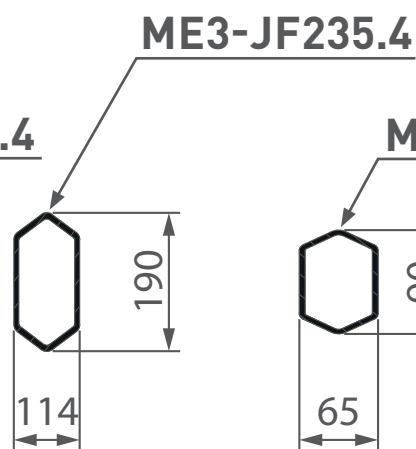
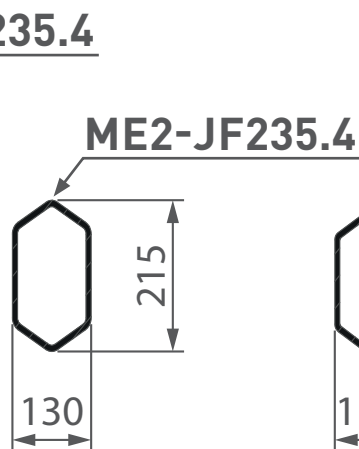
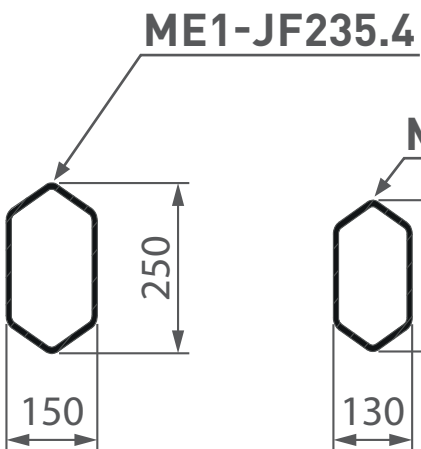
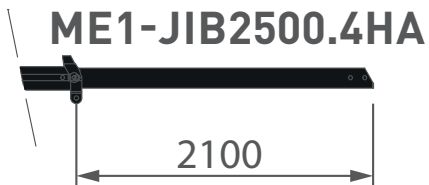
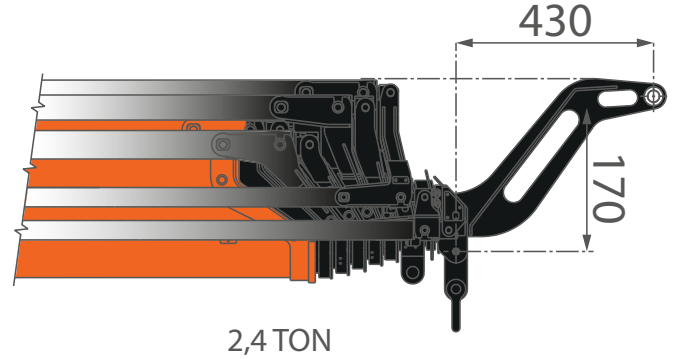
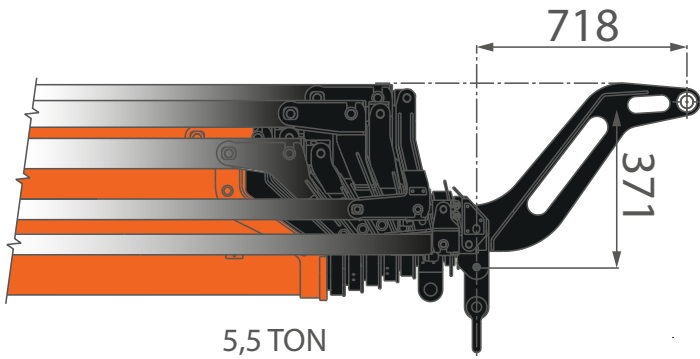
*: La gru è dotata di LMI. Lo sbraccio massimo potrebbe variare di circa 1m.

** : Lo sbraccio massimo viene raggiunto sfilando prima con il jib e poi con il braccio principale.

ACCESSORIES FEATURES

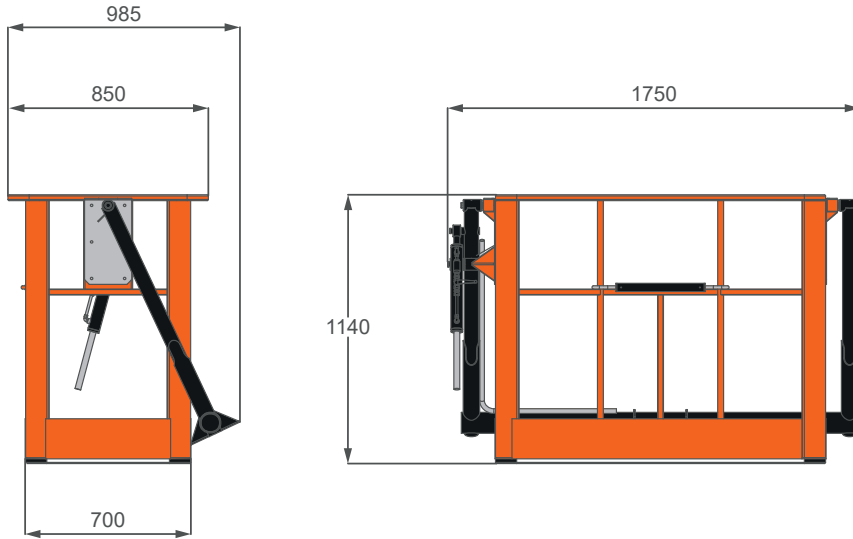
MEH-JF235.4

MEH-JIB2500.4HA

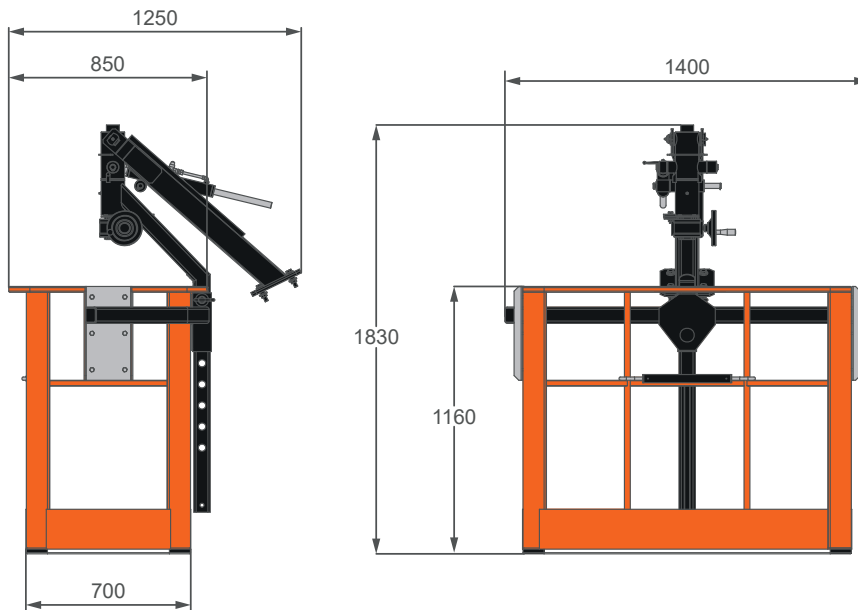


[mm]

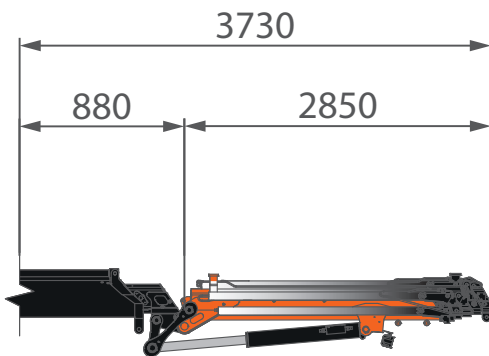
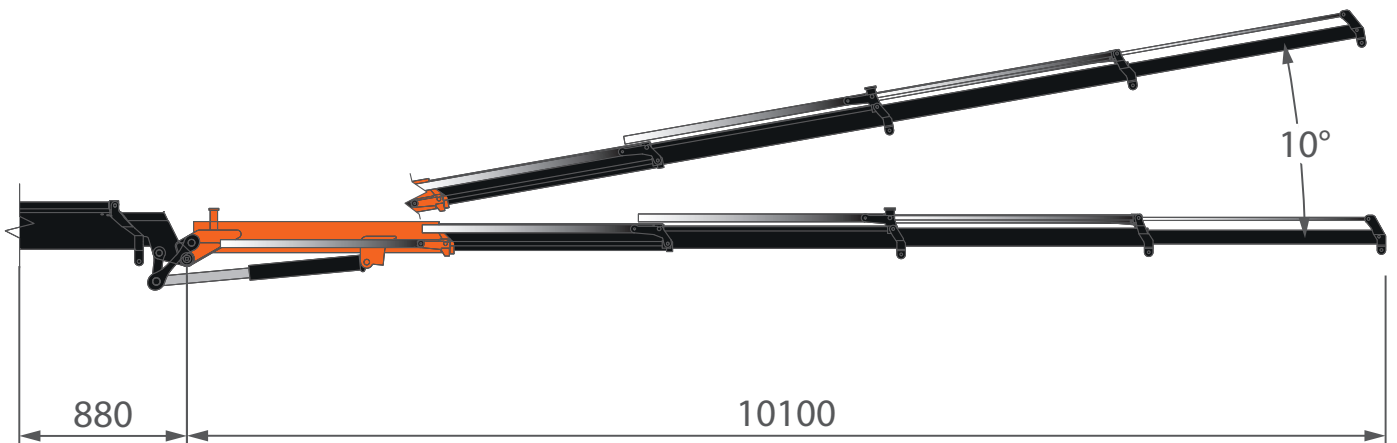
MWP-2PG.JIB2500.4HA



MWP-2PGR-A.JIB2500.4HA











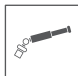
















JIB2500.4HA



[mm]

SYMBOLS

	Weight		Diesel Engine		Boom Angle		Outriggers mats
	Crane		Power Pack		Boom Length		Hydraulic oil
	Gradeability		Slewing		Jib		Outrigger Load
	Travel Speed		Electric Engine		Hookblock		Working Temperature
	Track Load		Maximum Capacity		Low marking pads		Main Winch
	Jib Activation		PLE Activation		Person Lifting Equipment		Hook
	Sound Emissions						

- Load limited by LMI
- Load to be limited by the operator
- Load to be verified and limited by the operator
- * Max. moment

REMARKS REFERRING TO LOAD CHART

- HC1 HD4 S2 lifting class, according to EN12999:2020 standards.
- Lifting capacities are given in kilograms.
- Hookblocks, hooks and eventual manual extensions weight is part of the load and therefore must be deducted from lifting capacities.
- Working radius is measured from the column slewing axis.
- Subject to modification of lifting capacities.
- All specifications and features herein described can be changed without prior advice.
- All indicated data are indicative only and are not binding as crane performs differently depending on its use.



Jekko s.r.l.

Via Campardone, 1 - 31014 Colle Umberto (TV) - Italy
info@jekko.it - www.jekko-cranes.com

06.09.2024 | Rev1.1

SERIAL NUMBER:

