

MPK50

PICK & CARRY CRANE



Lifting capacity

5000 kg



Max tip height

9,3 m



Dimensions (l x w x h)

3010 x 1190 x 1740 mm



Powered by

Battery



Weight

4450 kg

3450 kg machine
1000 kg removable ballast



EN [m - kg]



WORKING MODES

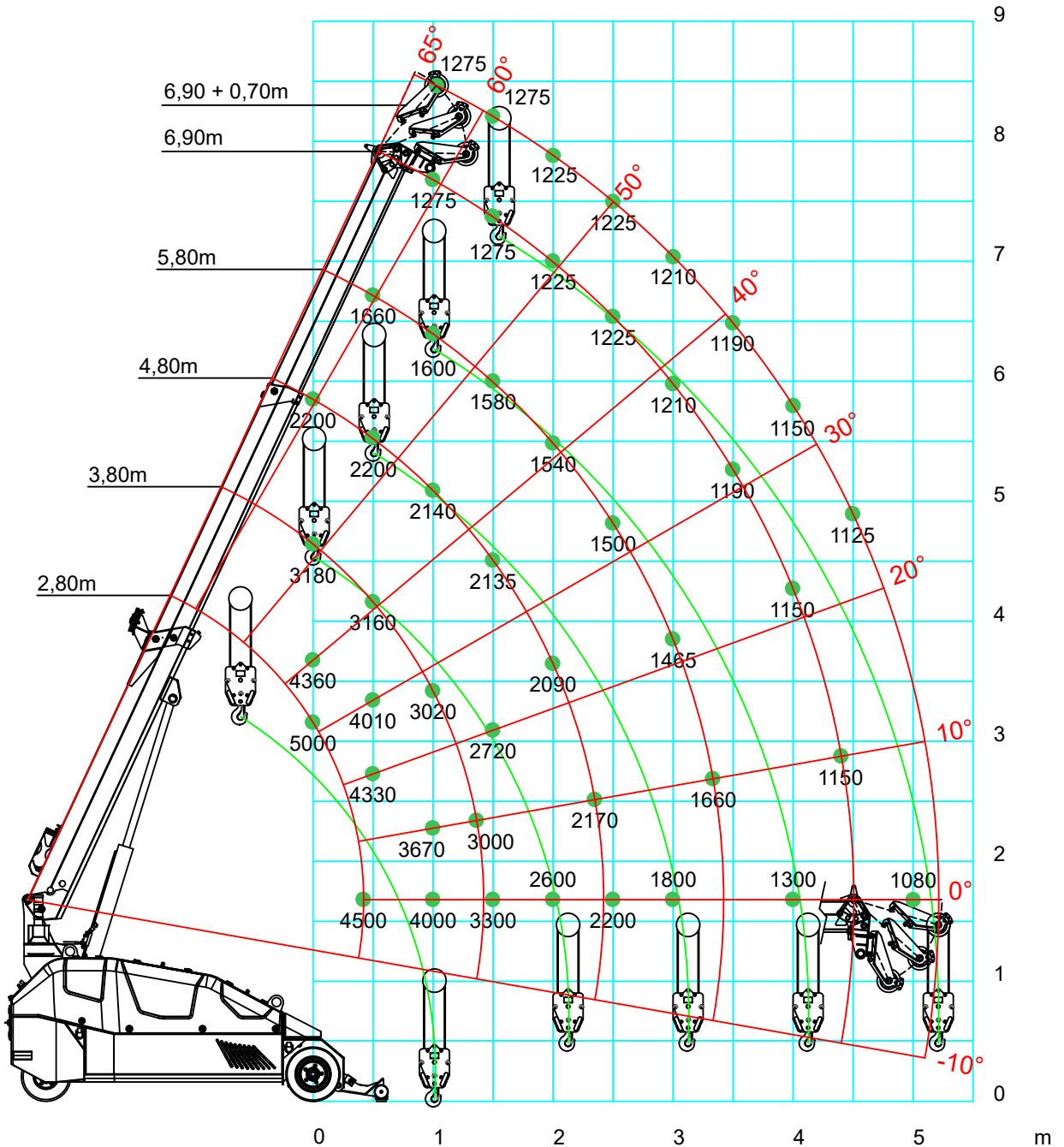
WINCH

5000 kg

- 1000 kg capacity single fall / 5000 kg 5 falls
- 60 m length
- Quick hydraulic connections



Winch Load Chart

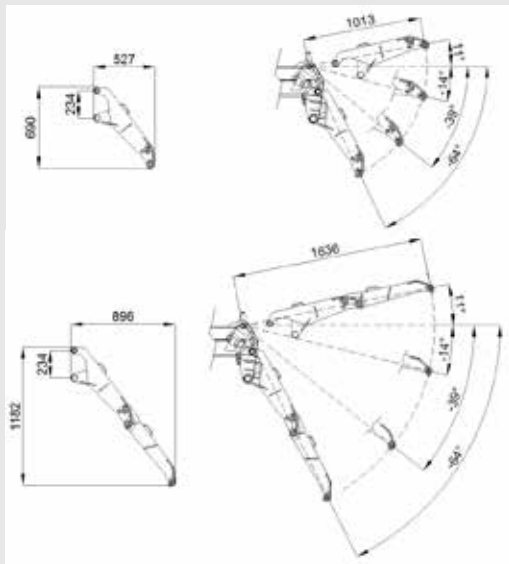


TWO-SECTION MECHANICAL JIB

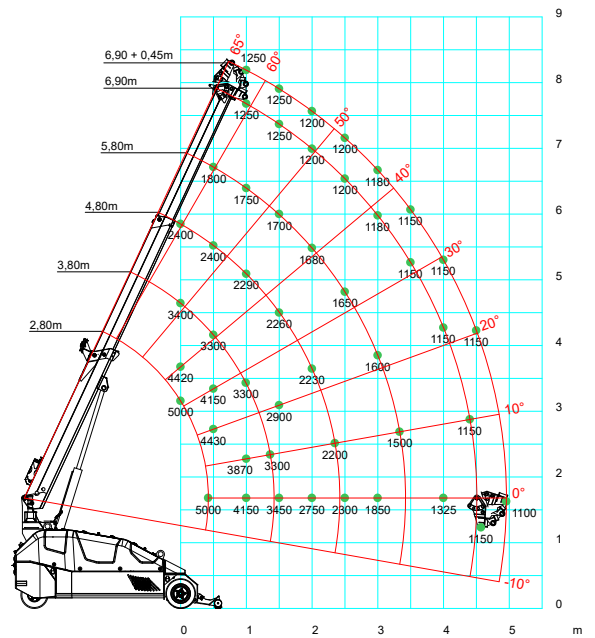
HOOK

5000 kg

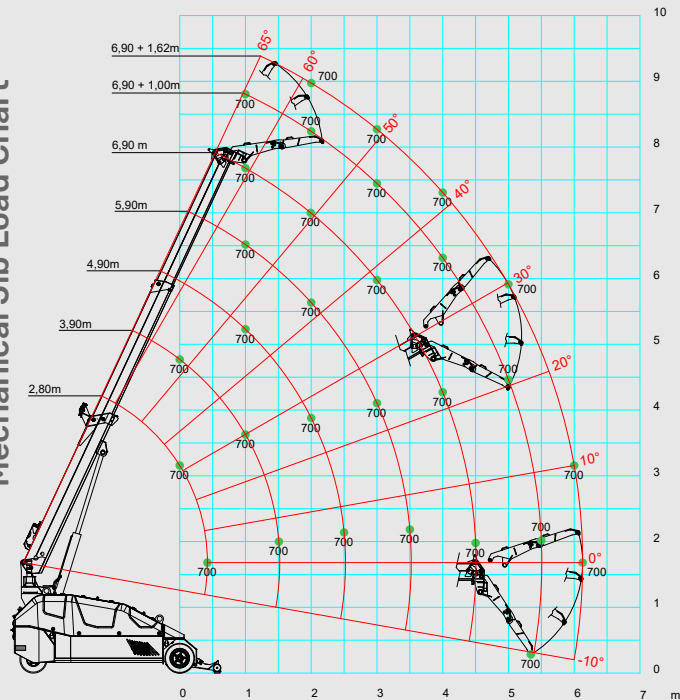
- Two mechanical sections
- 1800kg / 700 kg capacity
- Hook or winch
- 4 angles: +11° / -14° / -39° / -64°



Hook Load Chart



Mechanical Jib Load Chart





RADIO REMOTE CONTROL

- All driving and crane functions
- Simple and intuitive, proportional
- Spare battery on board
- Safety: self-diagnostics & emergency button

BOOM MOBILITY

- Turret side rotation $\pm 5^\circ$
- Double hydraulic extensions by chains
- 3-positions tilting boom head

WIDE WORKING MODES

- Frontal hydraulic stabilising bar
- Pick&carry
- Hook - winch - jib operation

FULLY ELECTRIC

- 100% battery powered, Lead-acid type 48 V, 620 Ah
- Minimal maintenance cost
- Emission-free indoor operation
- On board 110V or 230V fast battery charger
- Runtime over one workday

REMOVABLE BALLAST

- Easily removable ballast with forklift

INDOOR WHEELS

- Non-marking white tyres for indoor

J-LINK POWERED BY TRACKUNIT*

- Remote fleet monitoring and diagnostics
- Built-in or retrofit on existing units



*Optional



MPK50
PICK & CARRY CRANE

Jekko s.r.l. • info@jekko.it • www.jekko-cranes.com

Specifications are subject to change without notice.

All data provided is for reference purposes only and is not legally binding.